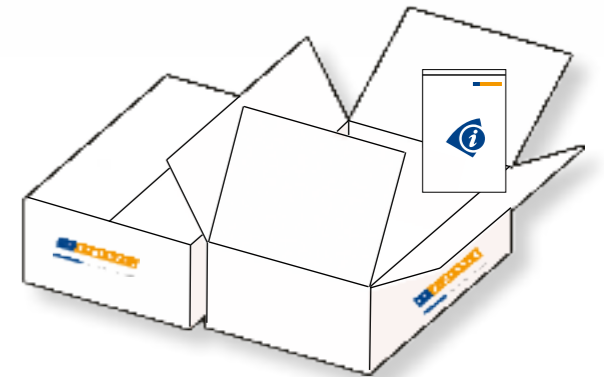
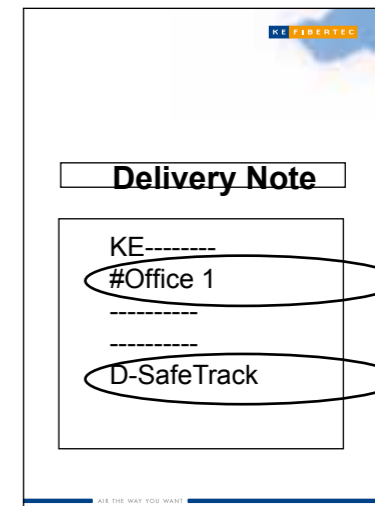


D-SafeTrack (bolt screw) General rules



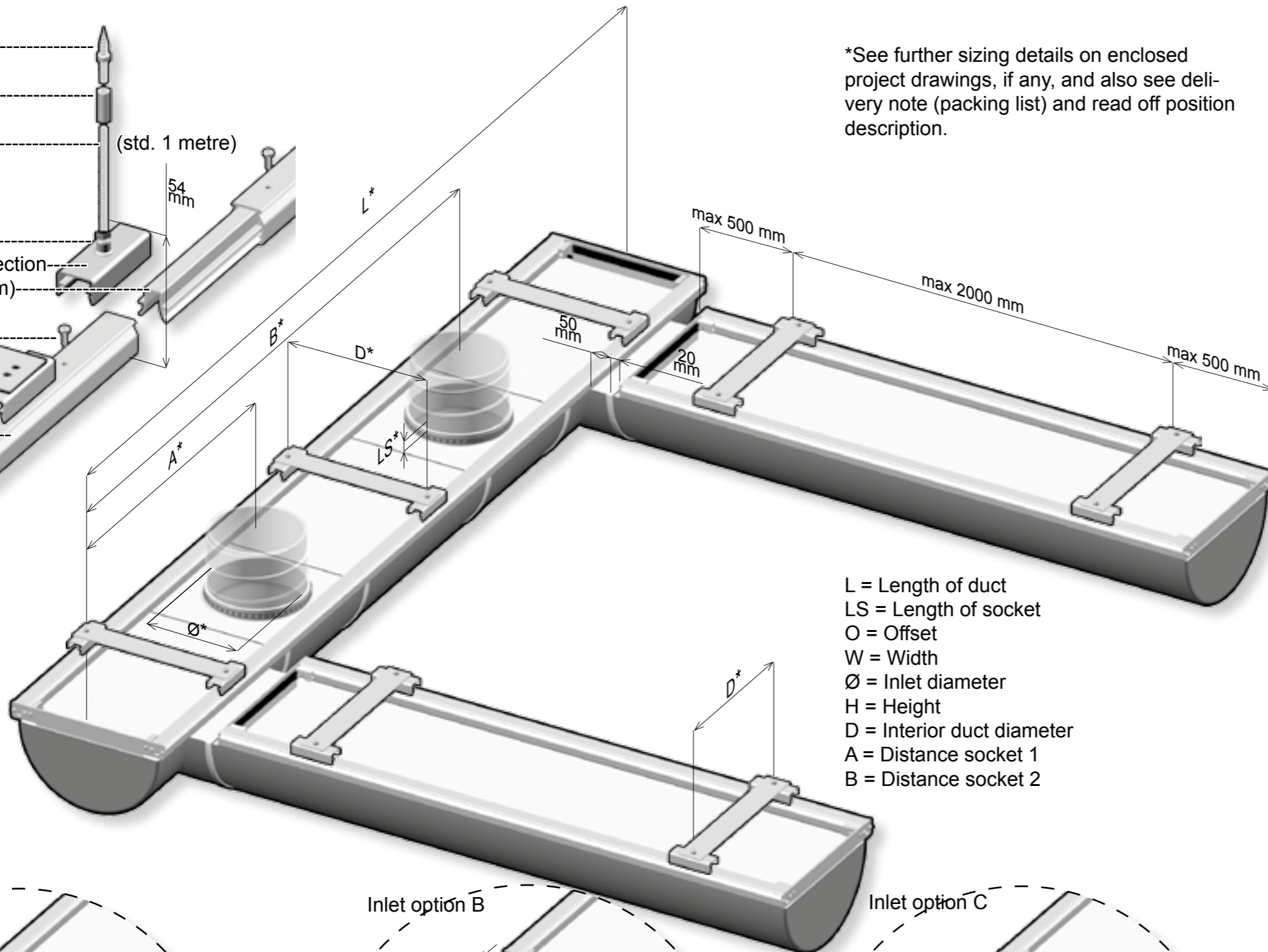
Please find Information on delivery and installation in the box labelled INFO.



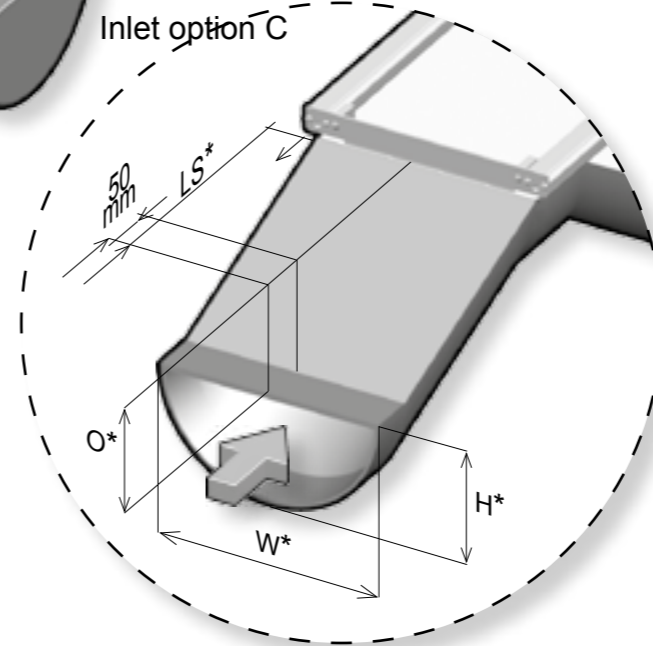
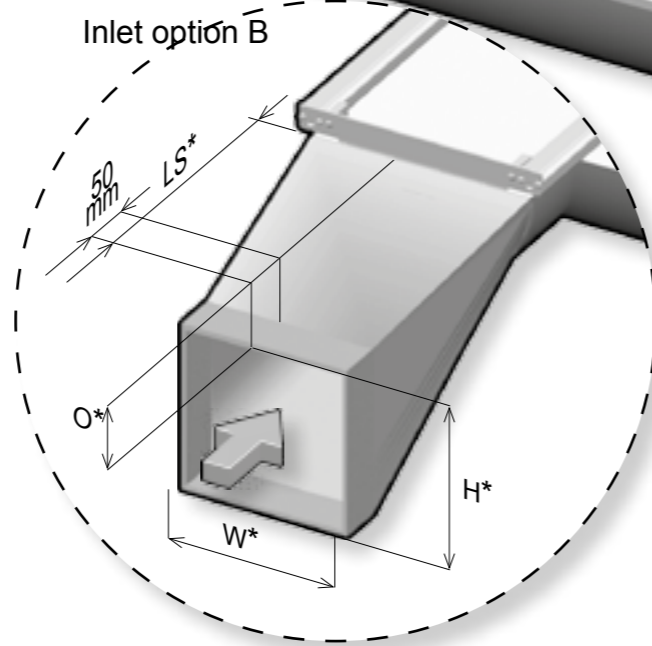
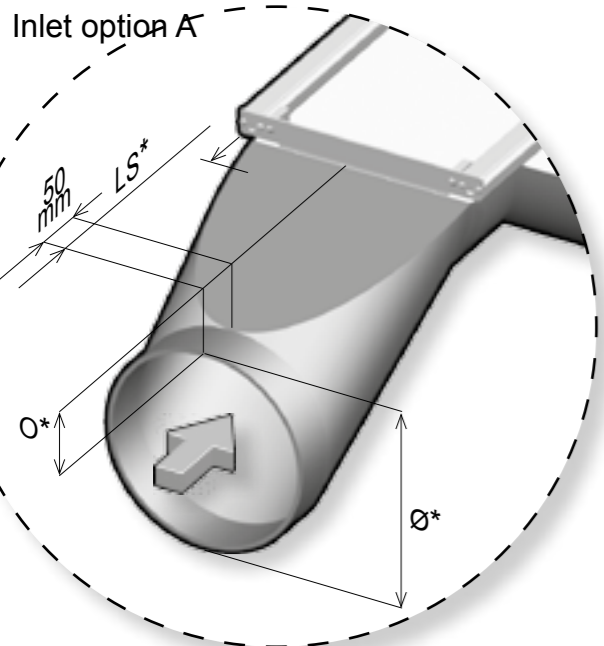
Room reference
Suspension type

*See further sizing details on enclosed project drawings, if any, and also see delivery note (packing list) and read off position description.

- Bolt screw
- Connector
- M6 thread bar (std. 1 metre)
- 54 mm
- Check nut
- Alu-suspension section
- SafeJoint (200 mm)
- Screw
- Spacing profile
- SafeTrack
- End section

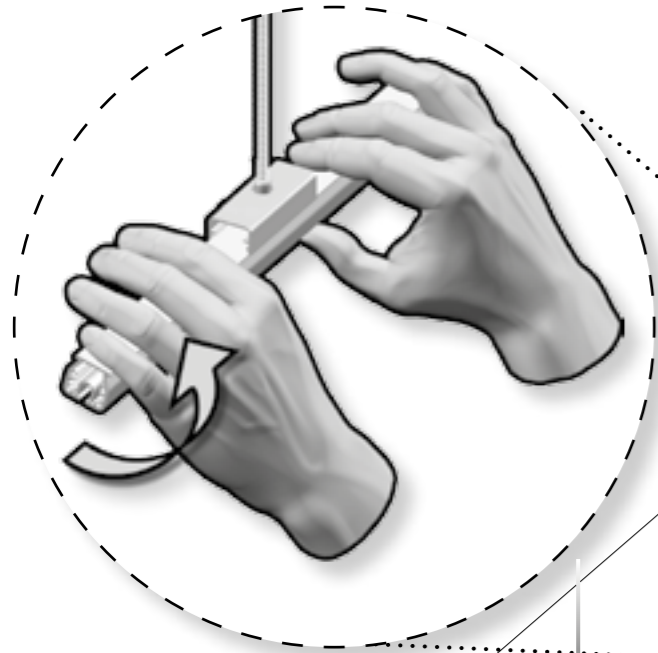


- L = Length of duct
- LS = Length of socket
- O = Offset
- W = Width
- Ø = Inlet diameter
- H = Height
- D = Interior duct diameter
- A = Distance socket 1
- B = Distance socket 2



Alu-rails labelled with a saw symbol do not require further trimming.

0980012-GB



1 Supports and spacing profiles are mounted on the ceiling; positioned in accordance to the location of inlet socket, duct start or duct bottom.

2 Rails are clicked into holders (click/rotation is in one direction ONLY).

3 End sections are to be mounted to rail ends (must be prior to mounting duct).

4 KE Interior System is fed from box into rails (so as to keep duct clean!)

5 ...and is pulled out at the same time.

6 Mounting of clamp. Inlet sockets in duct roof are accessed via zippers.

7 The 4 SafeLock expansion screws replace the former tightening cords. The SafeLock is inserted into the "keyhole" at the end of the SafeTrack and is tightened with a screwdriver (max. 5 rotations). It is important to fully insert the screw before tightening.

