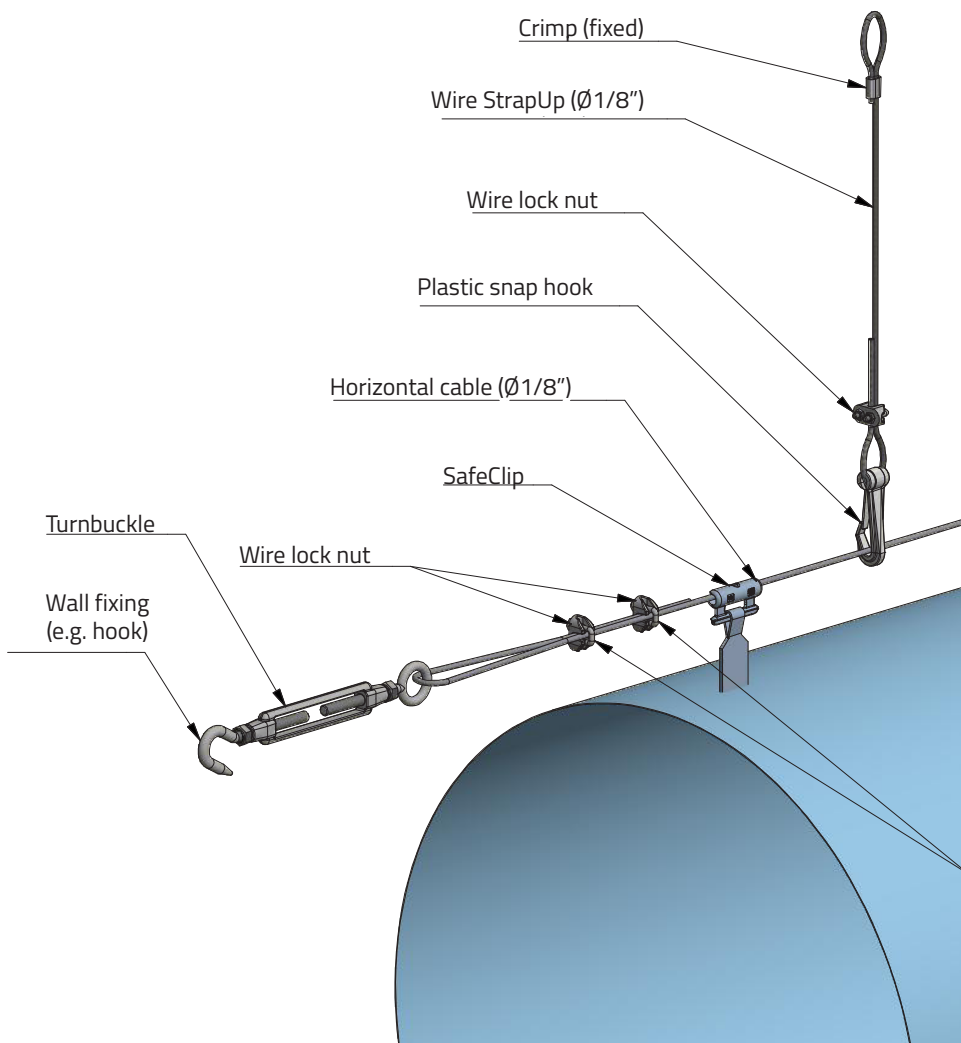


Cable Suspension, Single

WO-0003-US-02



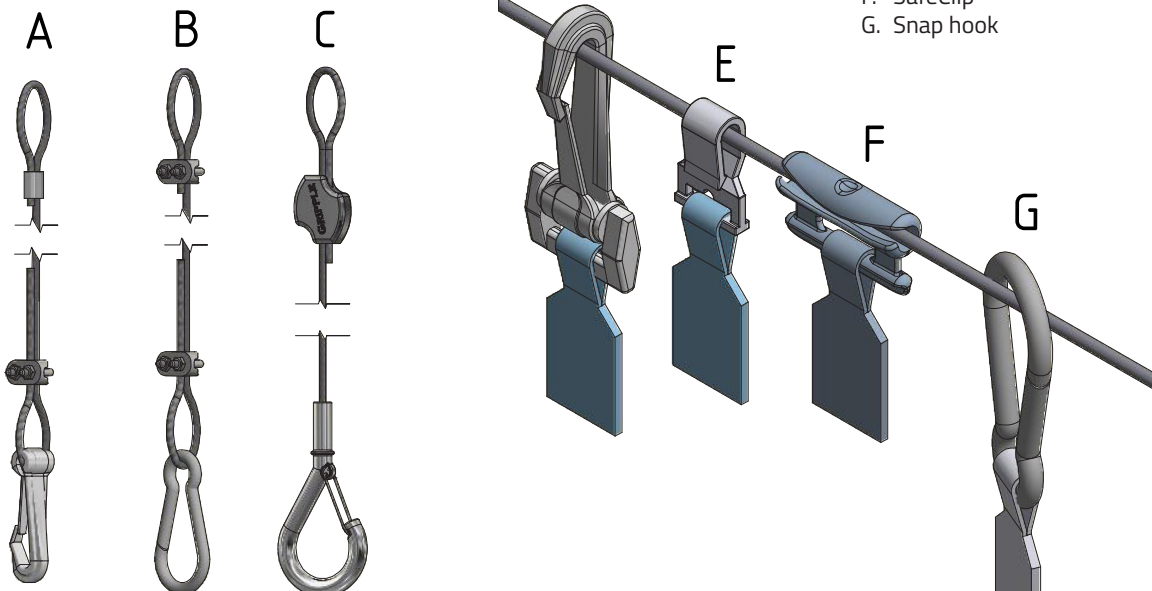
Included as standard:
Extra 10 ft wire

For cables shorter than 50 ft we recommend 1 wire lock nut at each end.

For cables longer than 50 ft we recommend 2 wire lock nuts at each end.

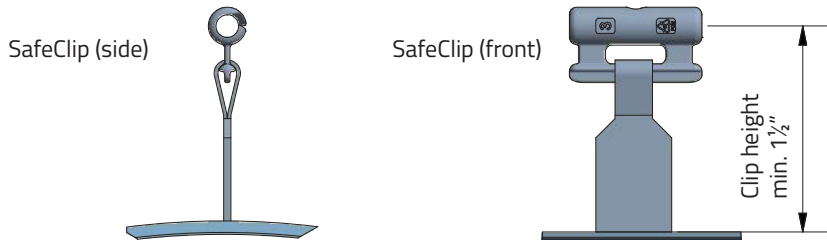
Suspension types

- A. StrapUp with plastic snap hook
- B. StrapUp with snap hook
- C. StrapUp w/Gripper
- D. Plastic snap hook
- E. KE-Clip
- F. SafeClip
- G. Snap hook

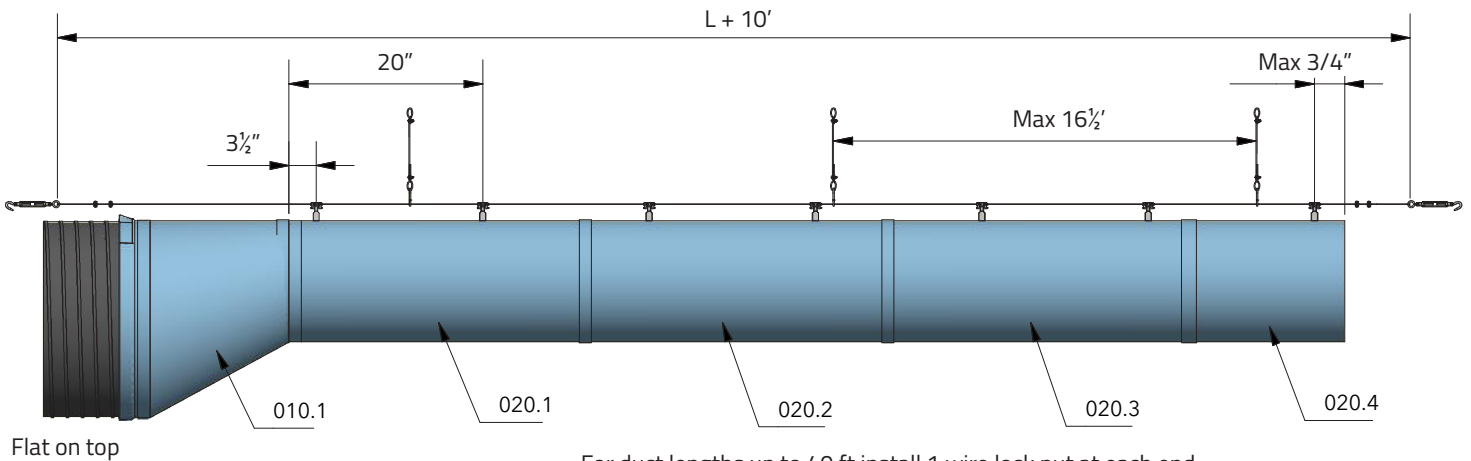
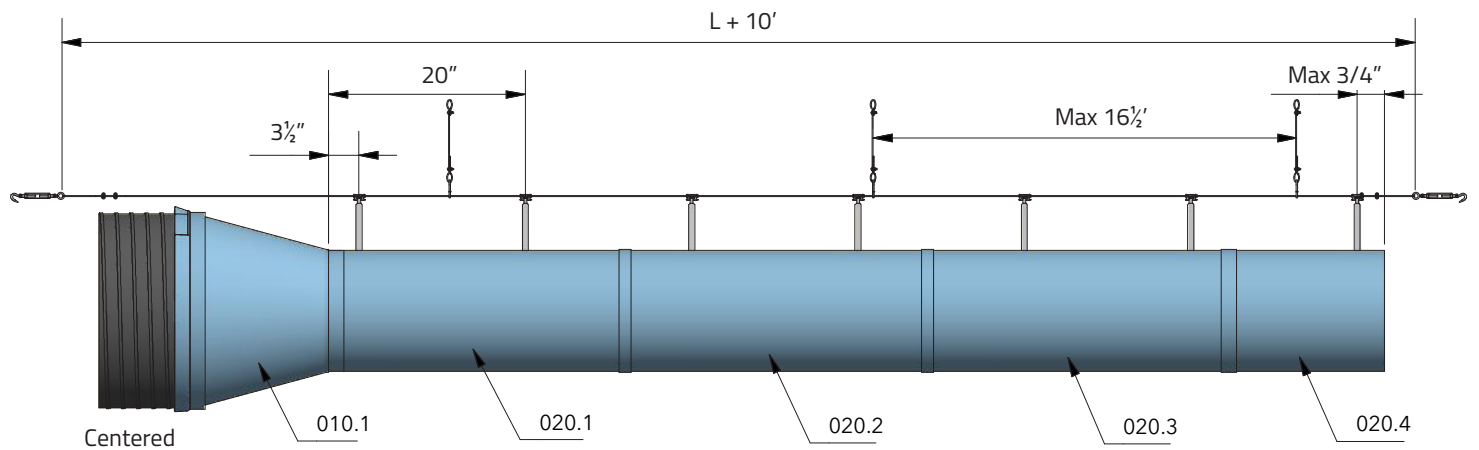


Cable Suspension, Single (Straight Duct)

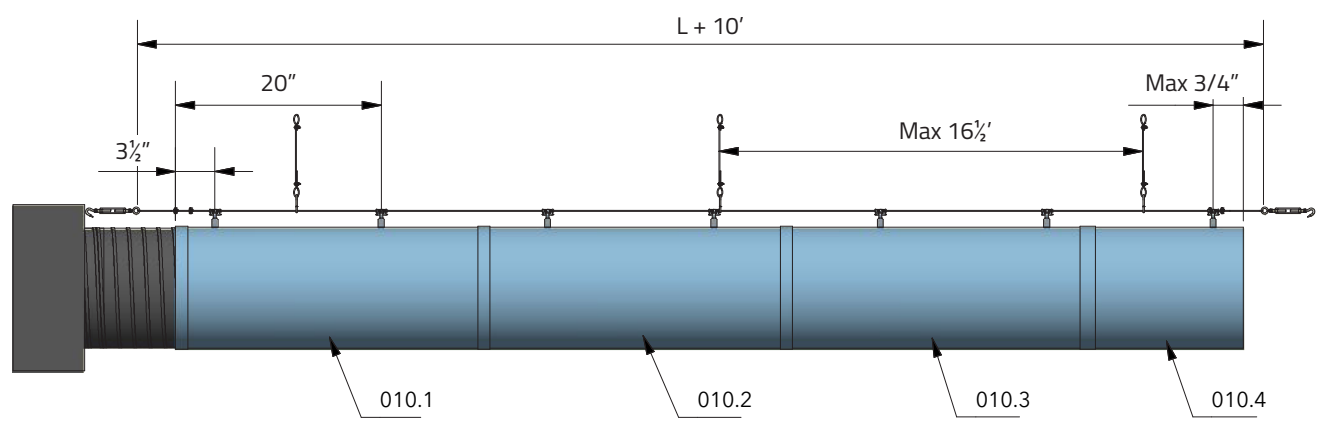
WO-0004-US-02



Mount horizontal cable. Apply tension of max. 45 lbs and then tighten wire lock nut. A turnbuckle turned from fully open to fully tensioned will shorten the cable by approx. 3 2/8". For cables longer than 50 ft we recommend a turnbuckle at each end.

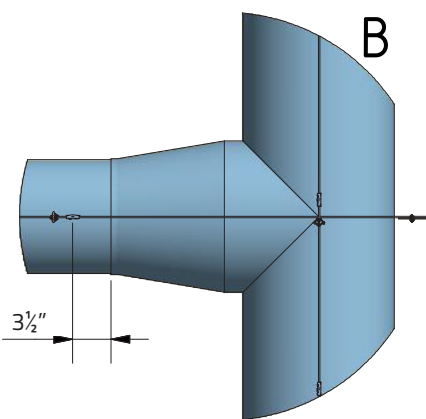
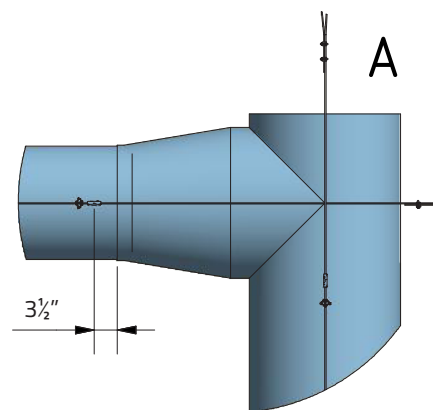
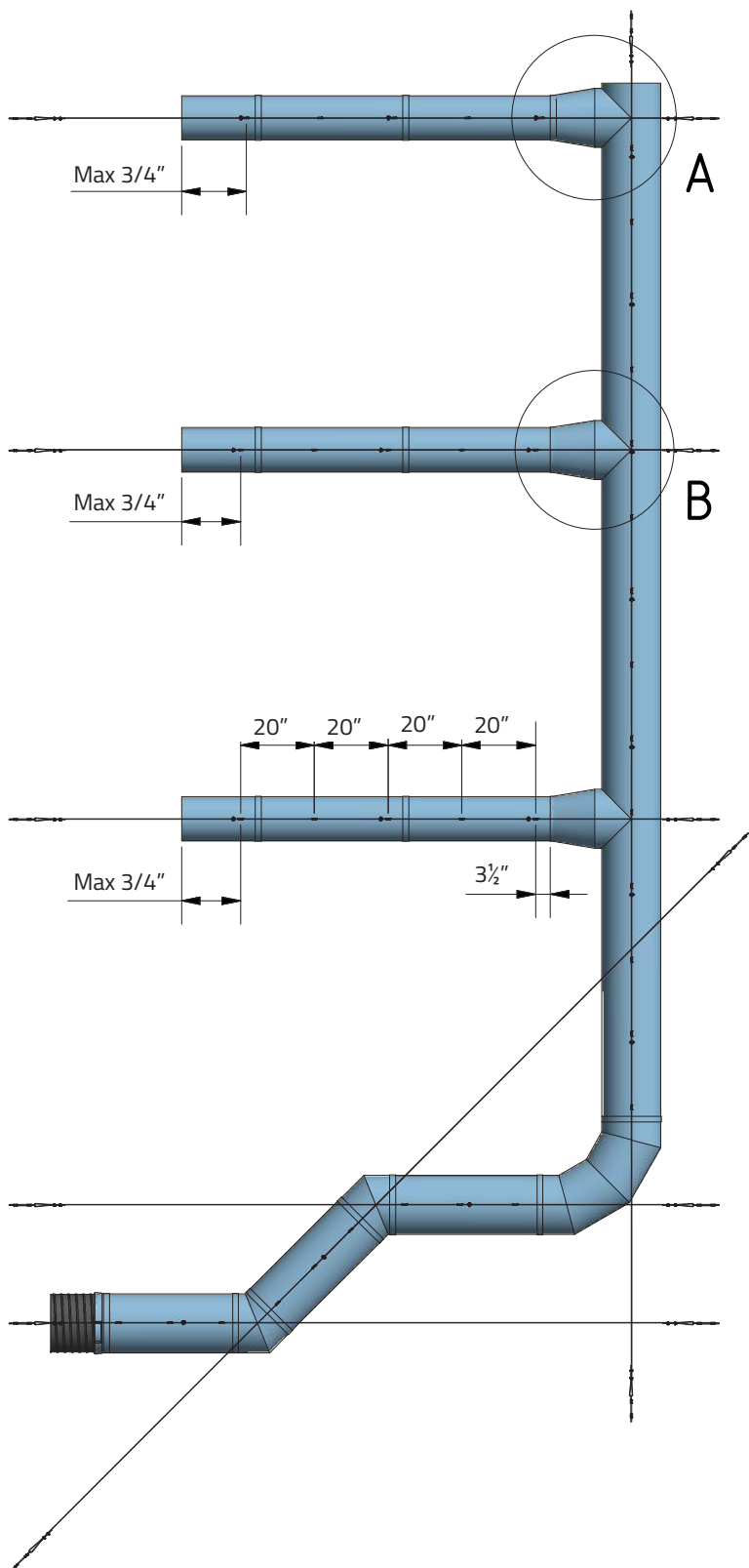
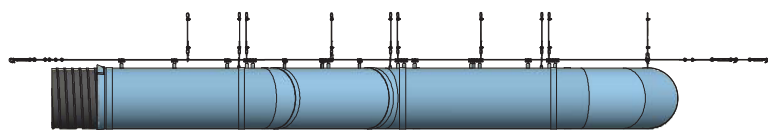


For duct lengths up to 40 ft install 1 wire lock nut at each end.
For duct lengths greater than 40 ft install 2 wire lock nuts at each end.



Cable Suspension, Single (Plenum)

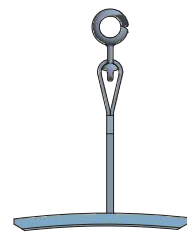
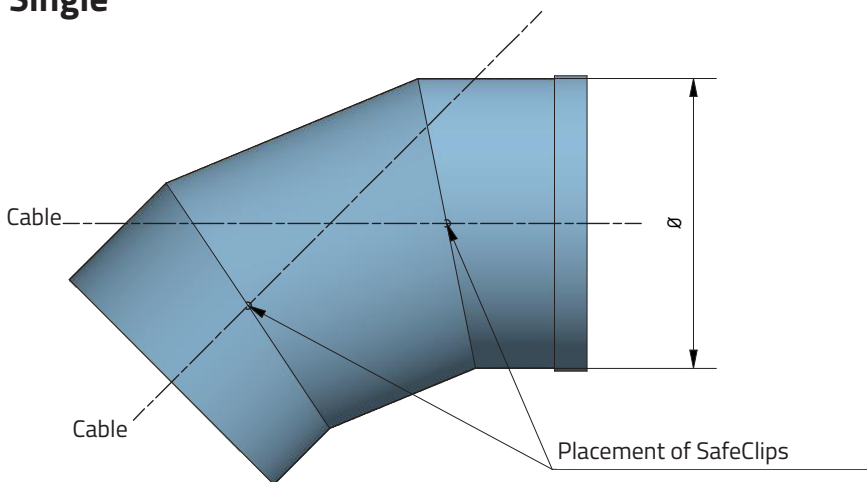
WO-0005-US-02



Cable Suspension, KE-Gored Elbow 45°

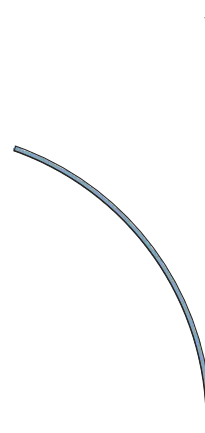
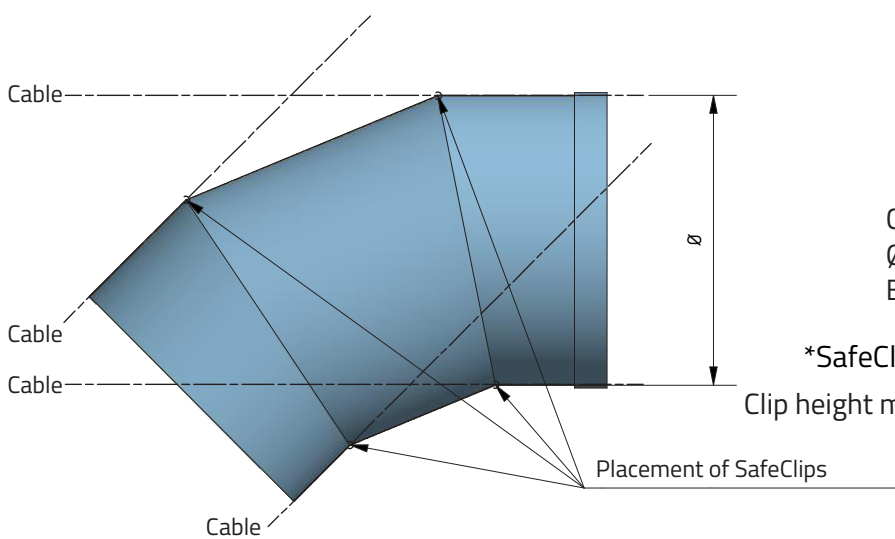
WO-0006-US-03

Single



SafeClips
Clip height min. 1 3/8"

Double



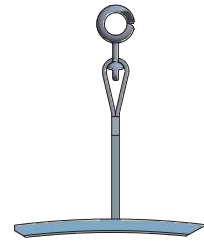
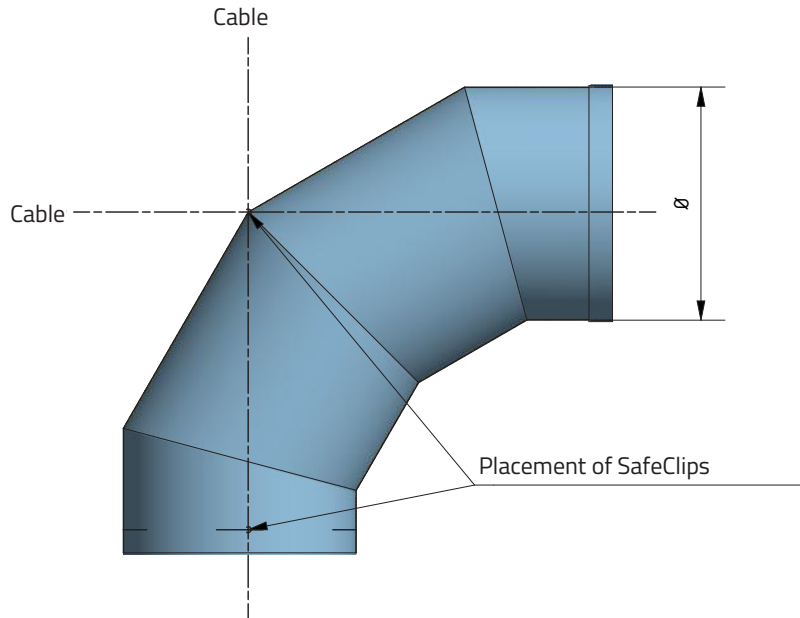
Calculation:
 $\frac{\text{Ø}}{2} + \text{Clip height} = X''$
Ex.: $\frac{\text{Ø}16}{2} + 1 \frac{3}{8} = 9 \frac{3}{8}''$

SafeClips
Clip height min. 1 3/8"

Cable Suspension, KE-Gored Elbow 90°

WO-0007-US-03

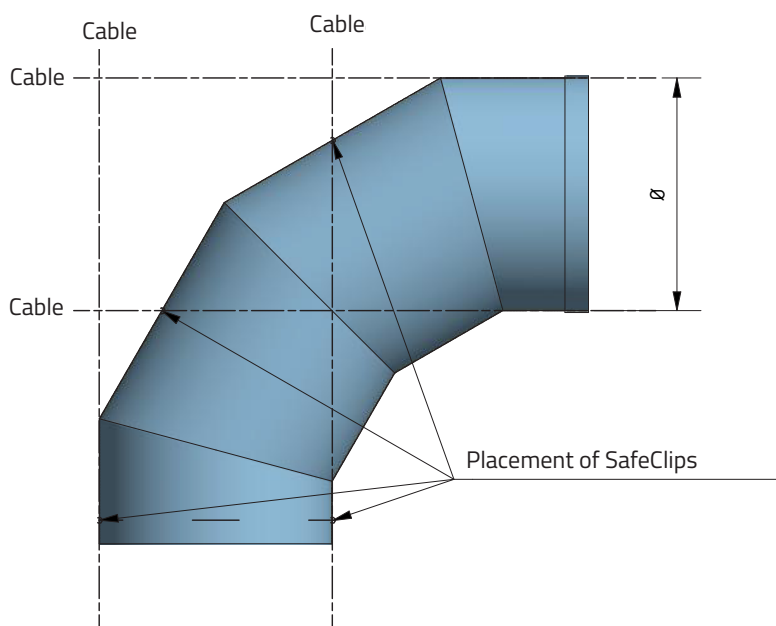
Single



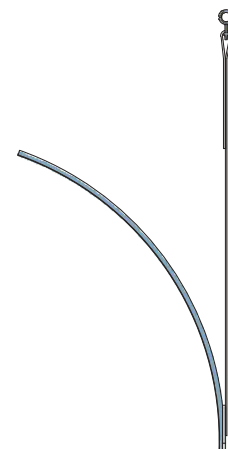
Calculation:
 $\phi/2 + \text{Clip height} = X''$
 Ex.: $\phi 16/2 + 1\ 3/8 = 9\ 3/8''$

SafeClips are placed $1\ 5/8''$ from external zipper.

Double



SafeClips
 Clip height min. $1\ 3/8''$

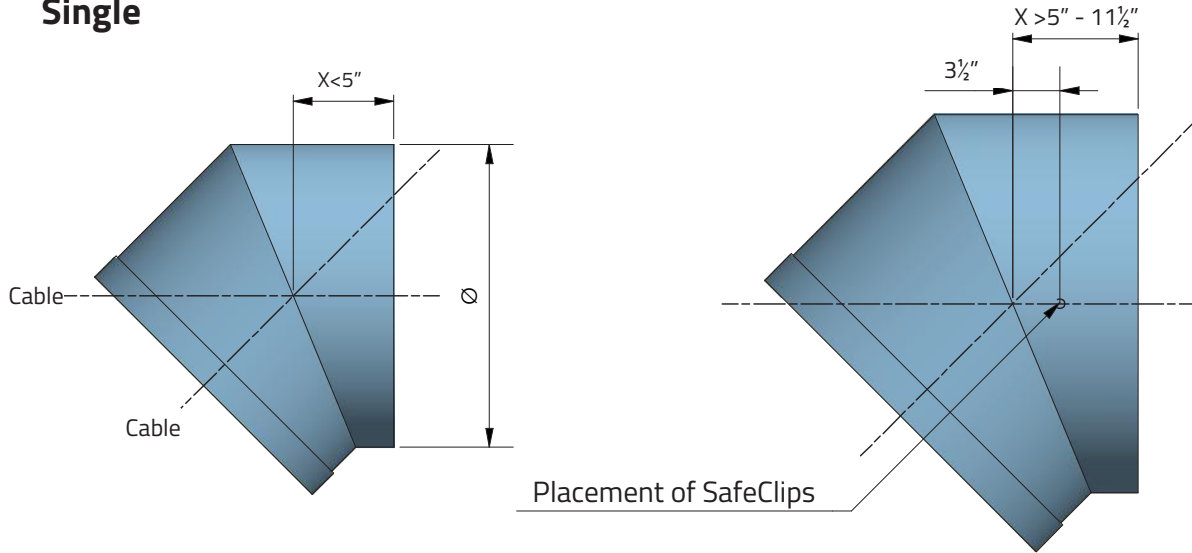


Cable Suspension, KE-Mitered Elbow

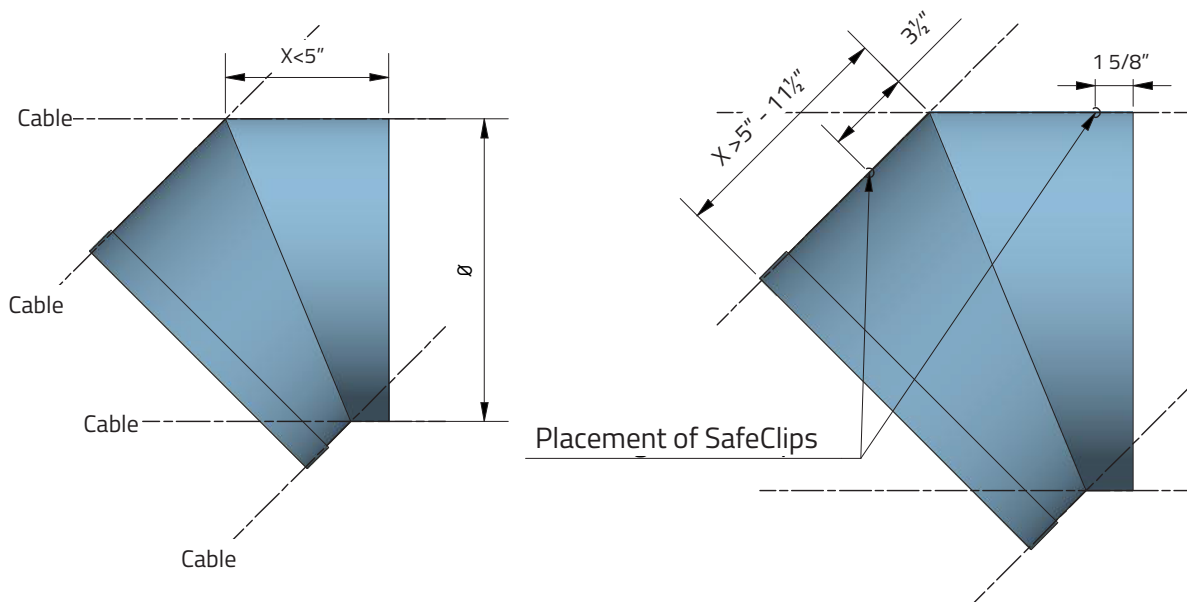
WO-0008-US-03

See delivery note for specific angle

Single



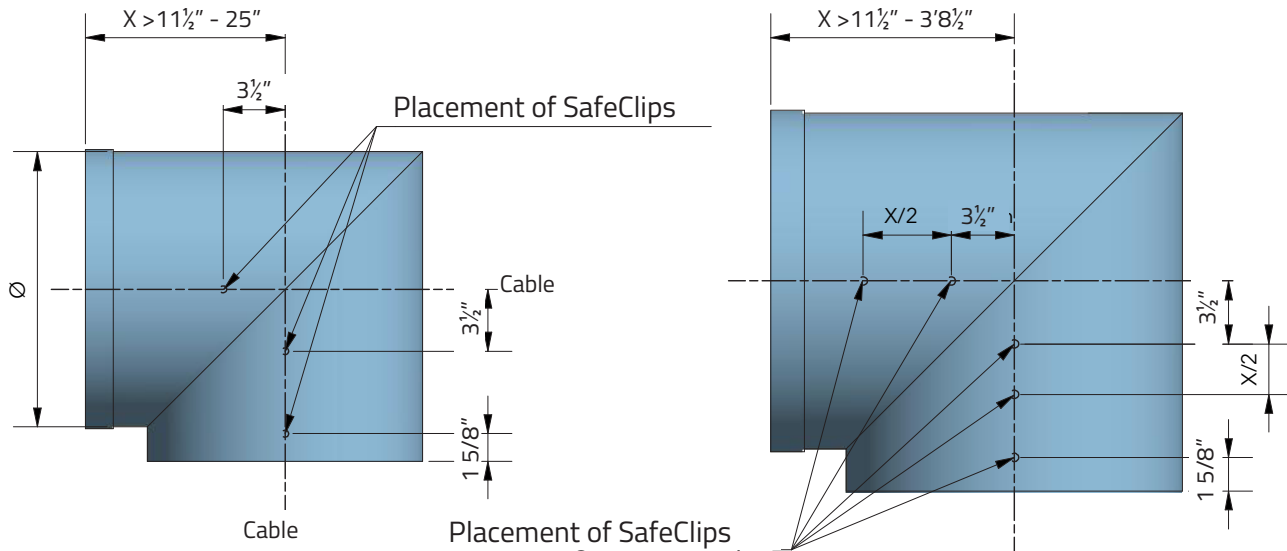
Double



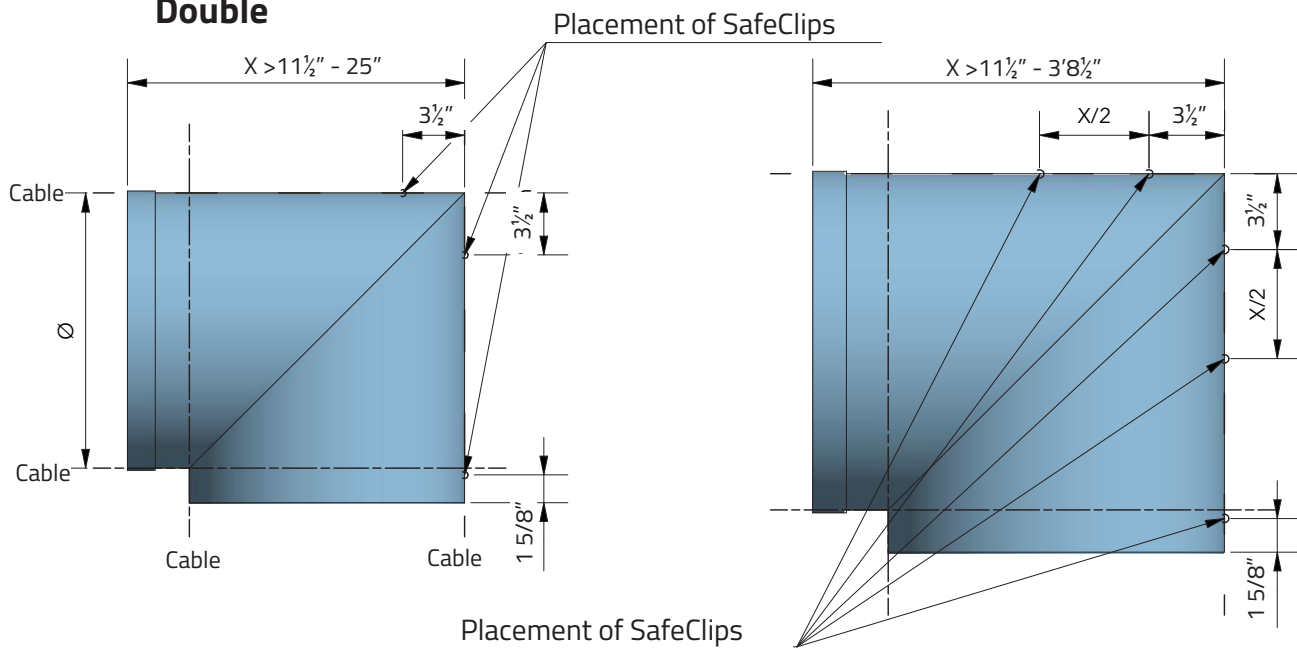
Cable Suspension, KE-Mitered Elbow 90°

WO-0009-US-03

Single



Double



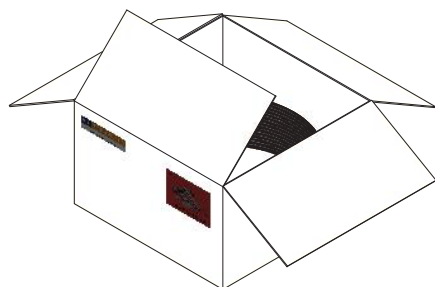
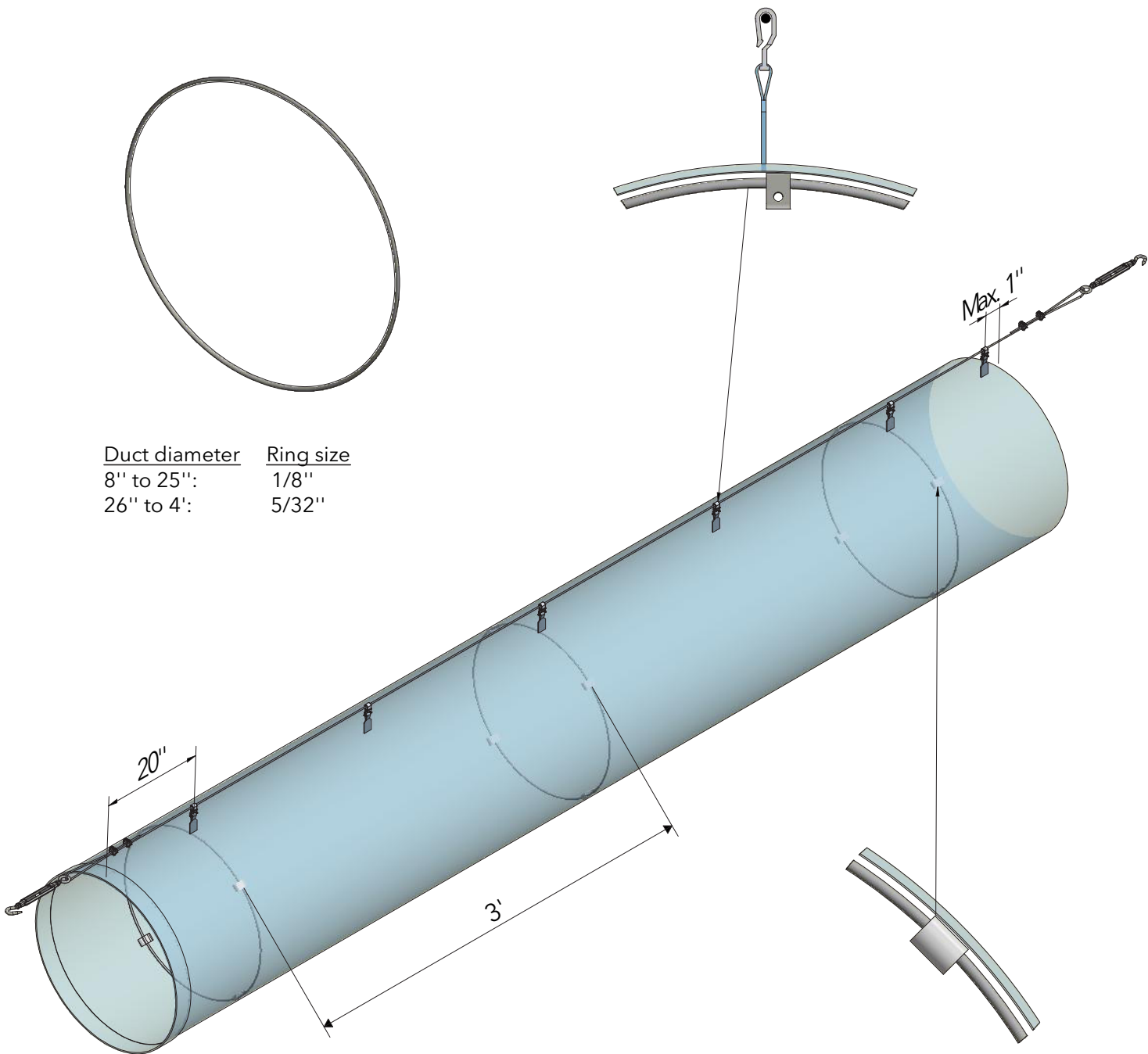
Cable Suspension, Single, with Rings

WO-0011-US-02

Lock at 12 o'clock if duct diameter exceeds 15-3/4"

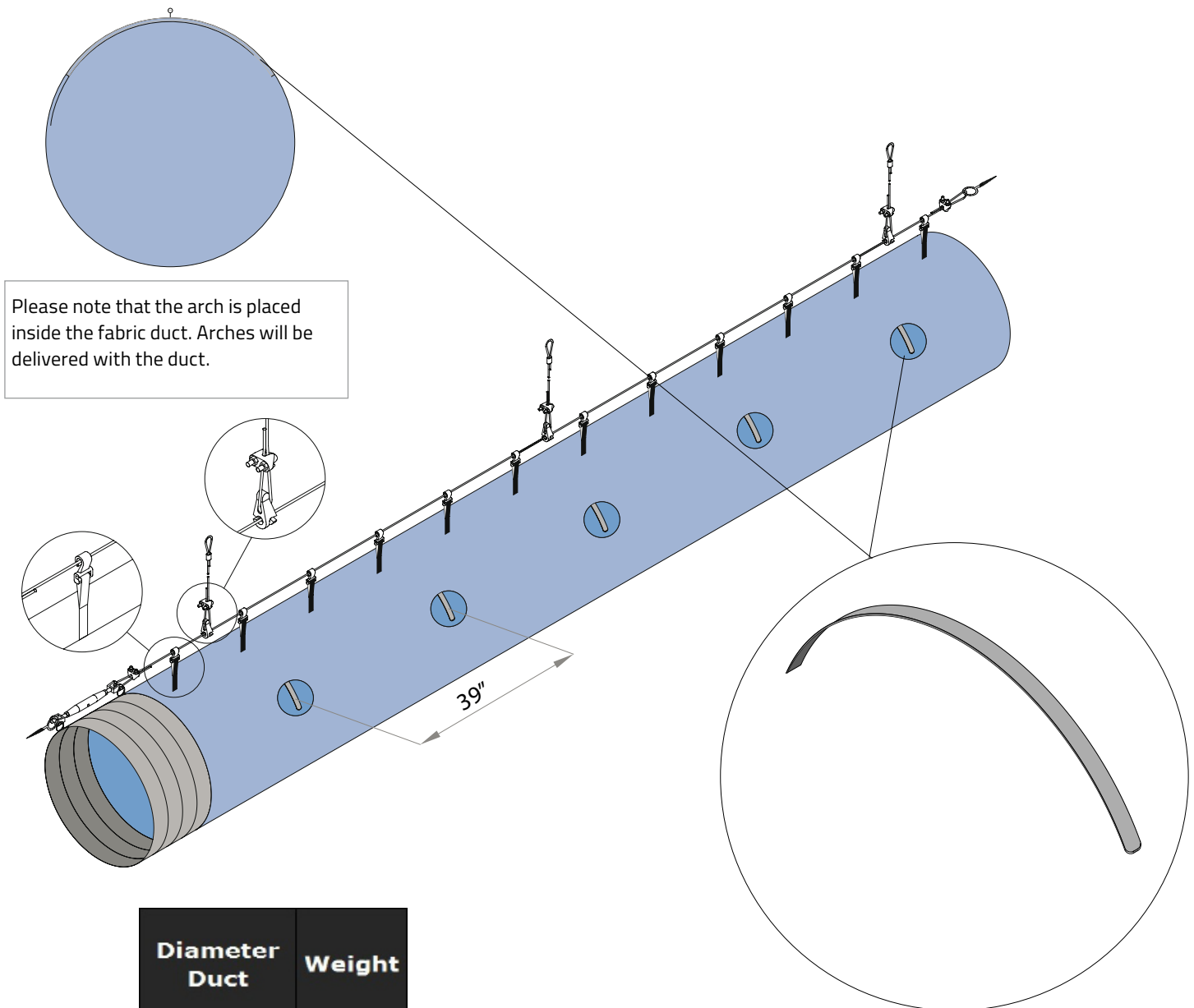


Duct diameter	Ring size
8" to 25":	1/8"
26" to 4':	5/32"



If duct diameter exceeds 20" rings are included separately (to be installed on site)

Cable Arch Suspension



Please note that the arch is placed inside the fabric duct. Arches will be delivered with the duct.

Diameter Duct	Weight
[Inch]	[oz]
16	3,7
18	4,2
20	4,7
22	5,2
24	5,7
26	6,2
28	6,7
30	7,2
32	7,7
34	8,2
36	8,7
38	9,2
40	9,7
42	10,2
44	10,7
46	11,2
48	11,7

The arch keeps the fabric duct looking inflated even when the air is off and makes for an aesthetically appealing installation.

The unique Cable Arch is constructed in a way, so that the arch can easily slide into the premade pocket inside the duct, without using any tools.

Inflation "popping" in the fabric duct caused by the initial Air Handler start up can be reduced by using the Cable Arch.