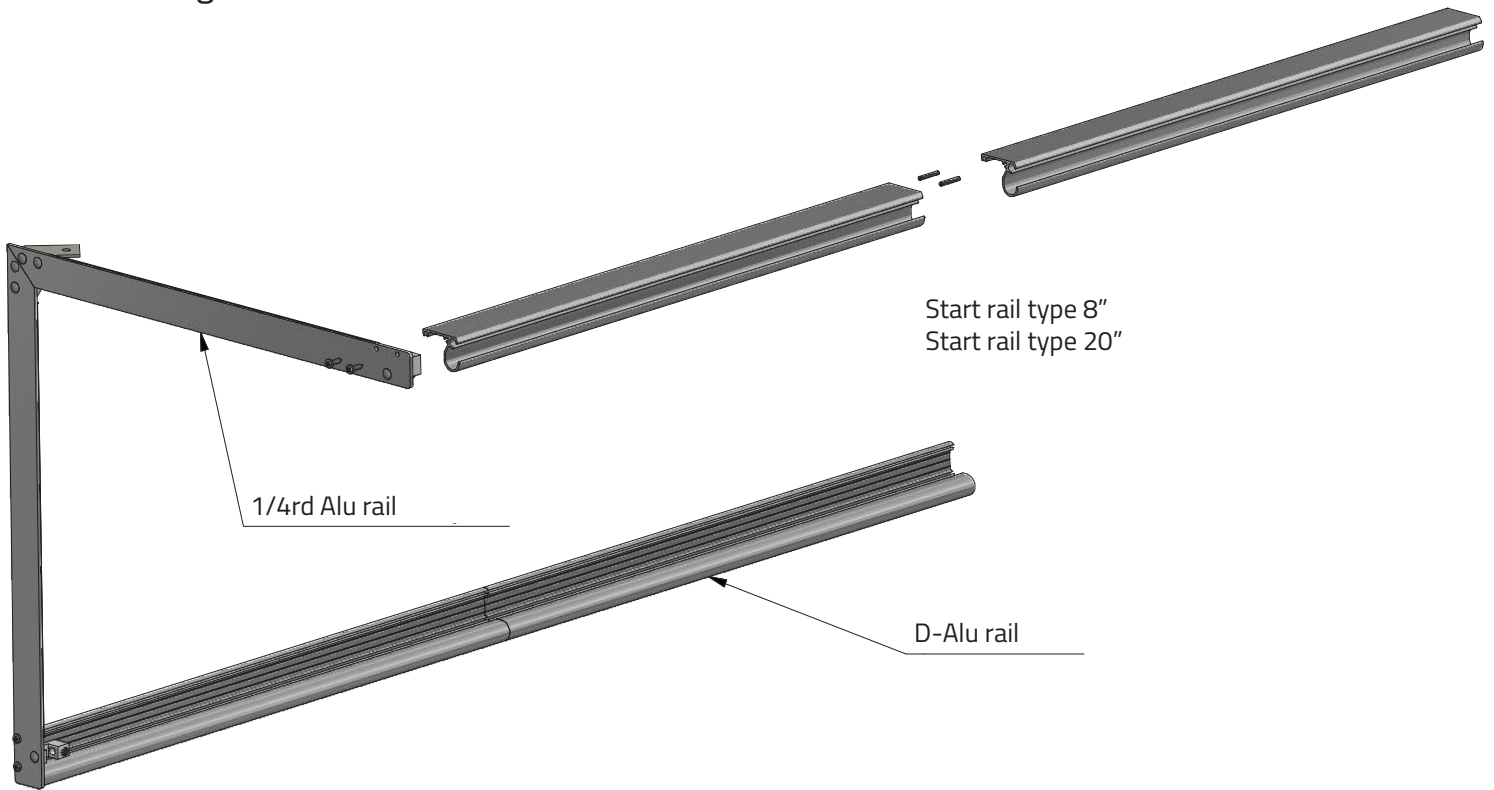


D-Alu Suspension for 1/4 Rd KE-Interior System

QA-0003-US-02

1/4 Rd Alu Rail System

Install rail system according to drawings and enclosed mounting instructions.



Locking profile (std. 20"):
Feed into D-Alu rails prior to mounting of end sections.
Adjust length of locking profile to D-Alu rail.

Final locking profile is cut off at approx. 1/2" short of D-Alu rail so as to prevent blocking.

Channel for fabric bulb

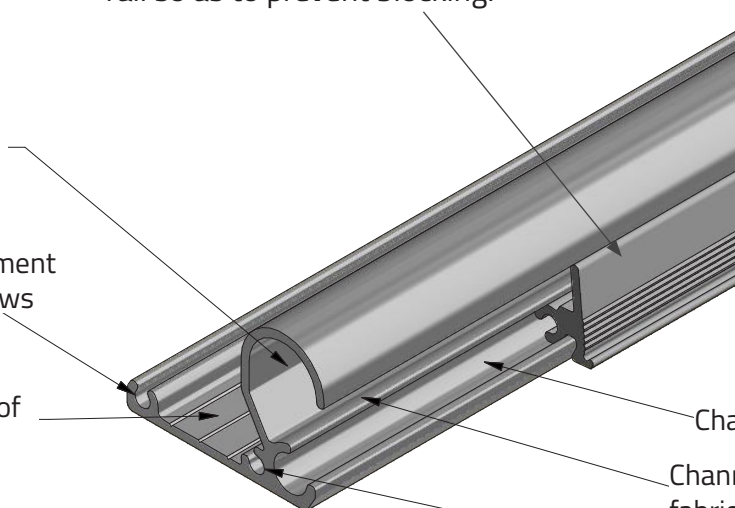
Channel for alignment pins and end screws

Groove for guidance of mounting screws for ceiling (self-tapping)

Channel for locking profile

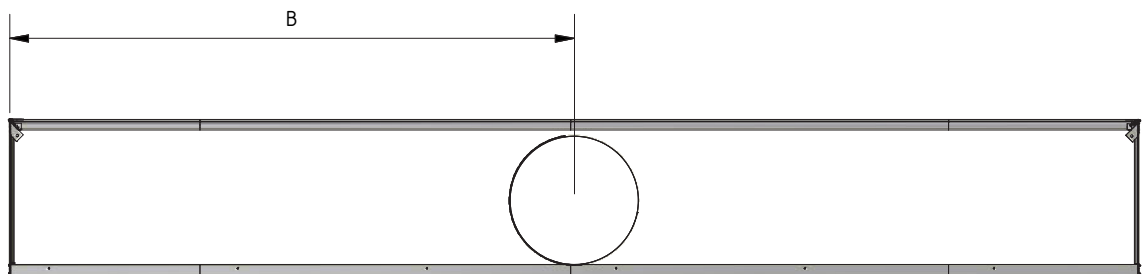
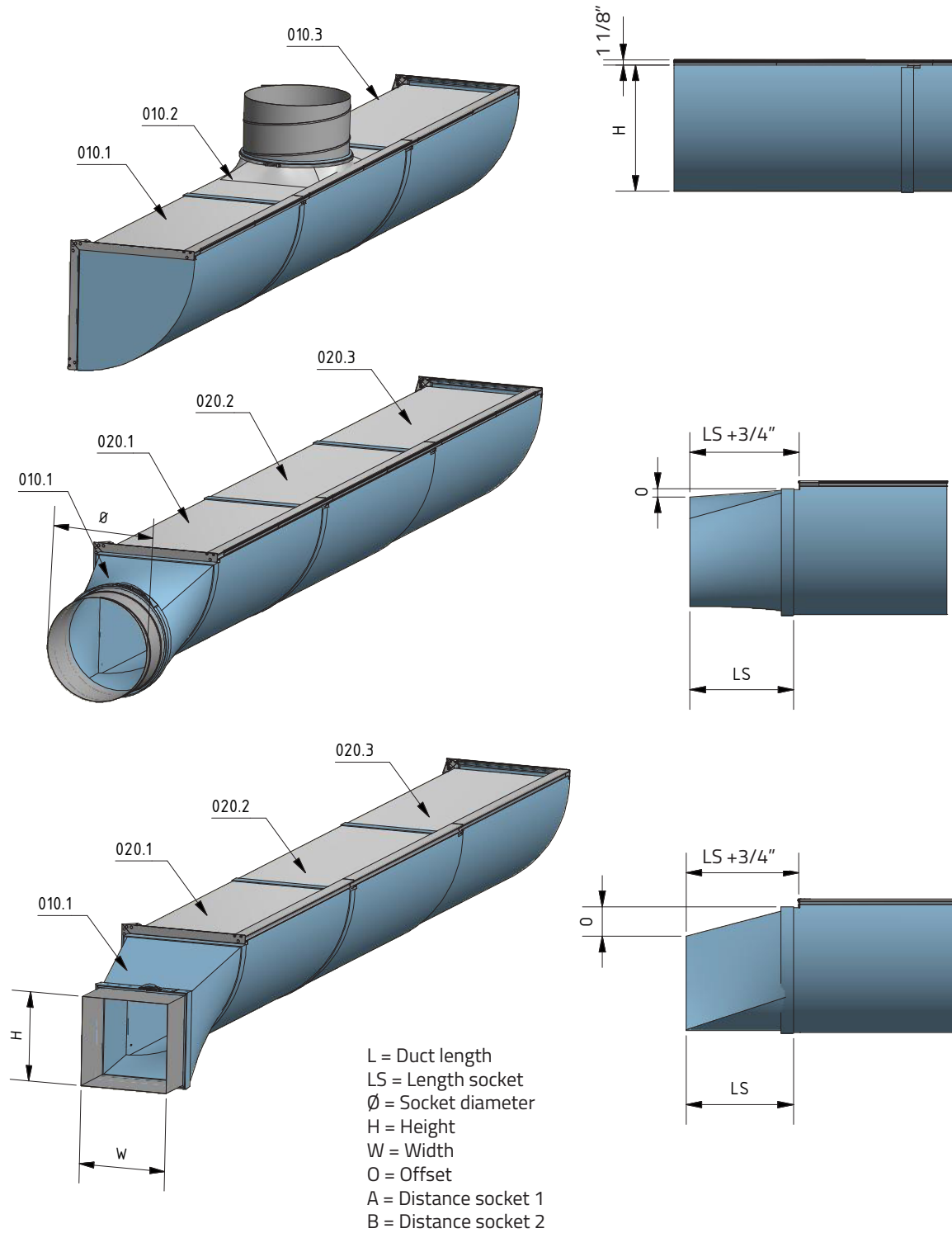
Channel opening for mounting of fabric bulb

Channel for alignment pins and end screws



D-Alu for 1/4 Rd KE-Interior System (Inlet Options)

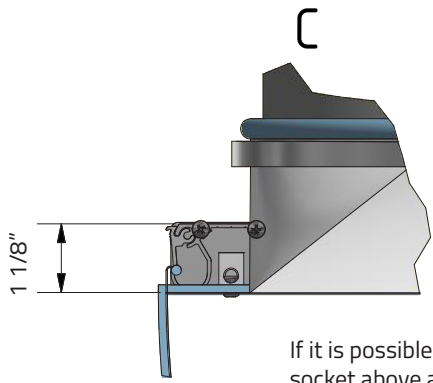
QA-0004-US-02



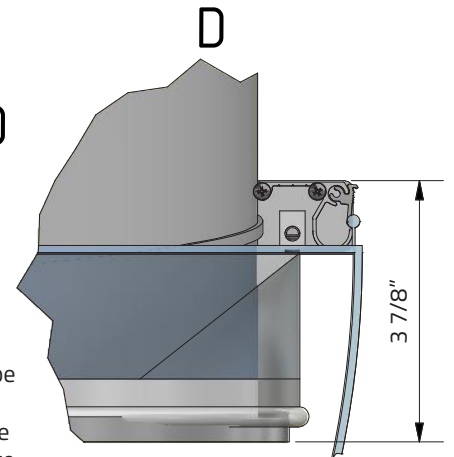
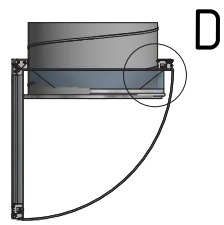
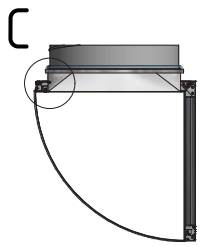
D-Alu for 1/4 Rd KE-Interior System (Rail Assembly)

AIR THE WAY YOU WANT

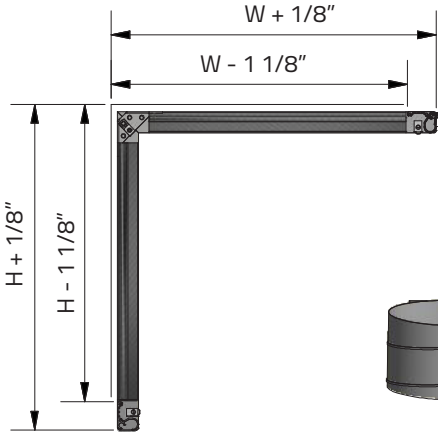
QA-0005-US-02



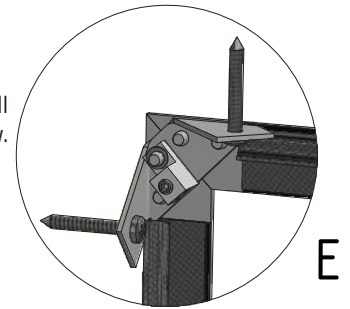
If it is possible to mount the socket above a false ceiling, a zipper near the socket on the duct is not necessary.



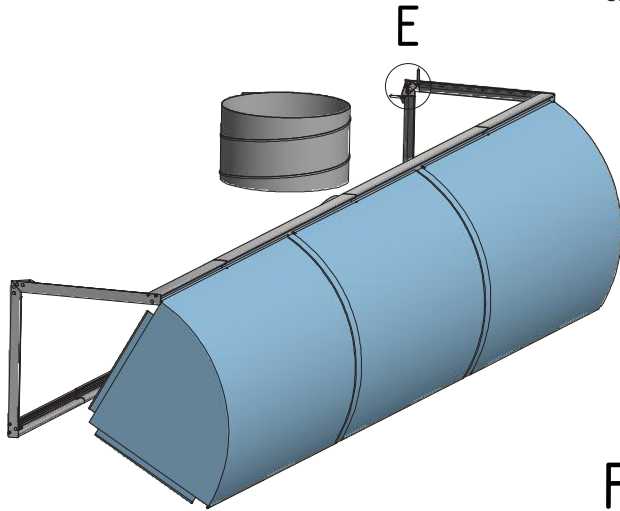
If mounting of the socket must be done from inside the space you must place at least 1 zipper close to the socket. Otherwise a service zipper must be placed in the arc of the duct.



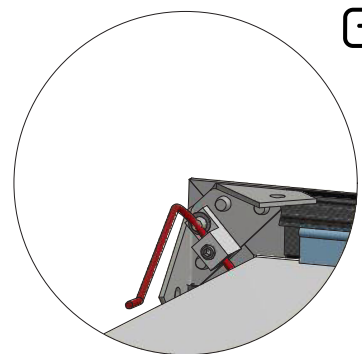
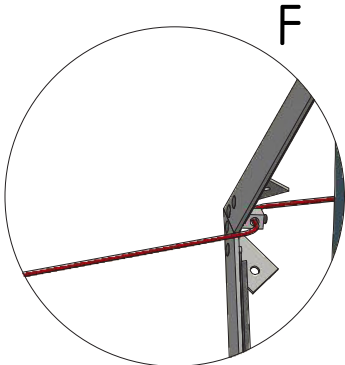
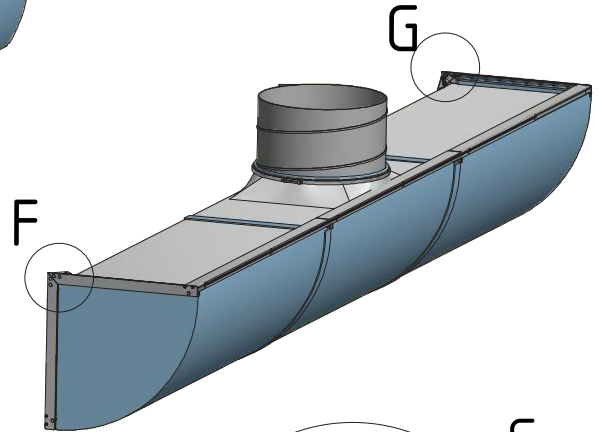
Fasten inner corner of rail to wall or ceiling with at least one screw.



Remember to attach fabric socket to metal duct after finishing first bulb in rail.

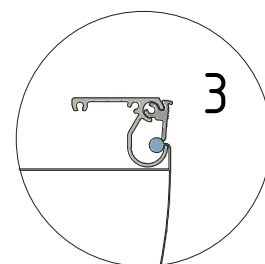
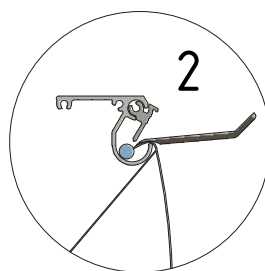
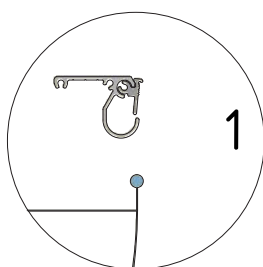
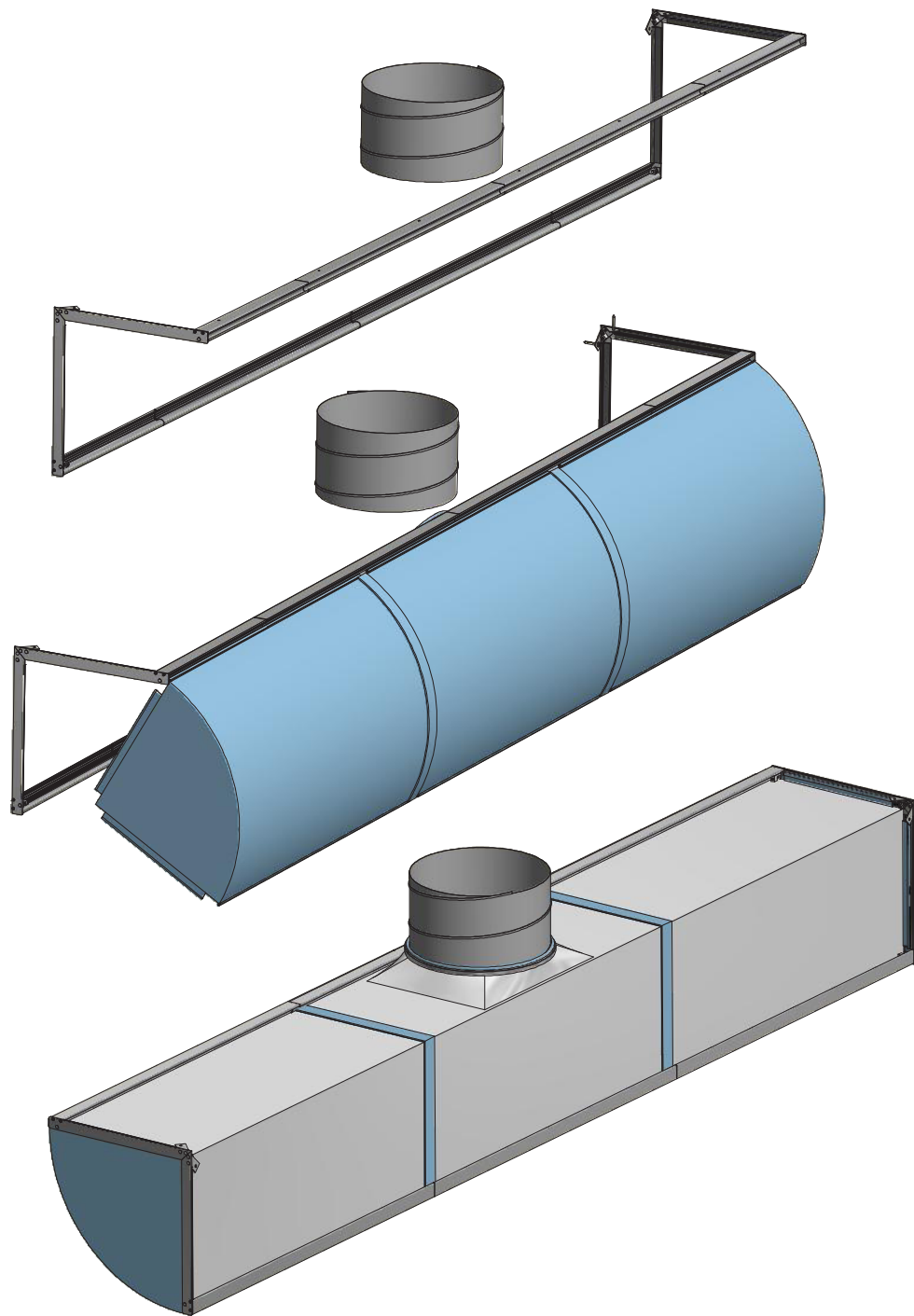


Feed cord through hole. Pull/push the duct along the rails until reaching the end section. Tighten the set screw with a 3 mm hex key (not included).



D-Alu for 1/4 Rd KE-Interior System (Mounting of Duct)

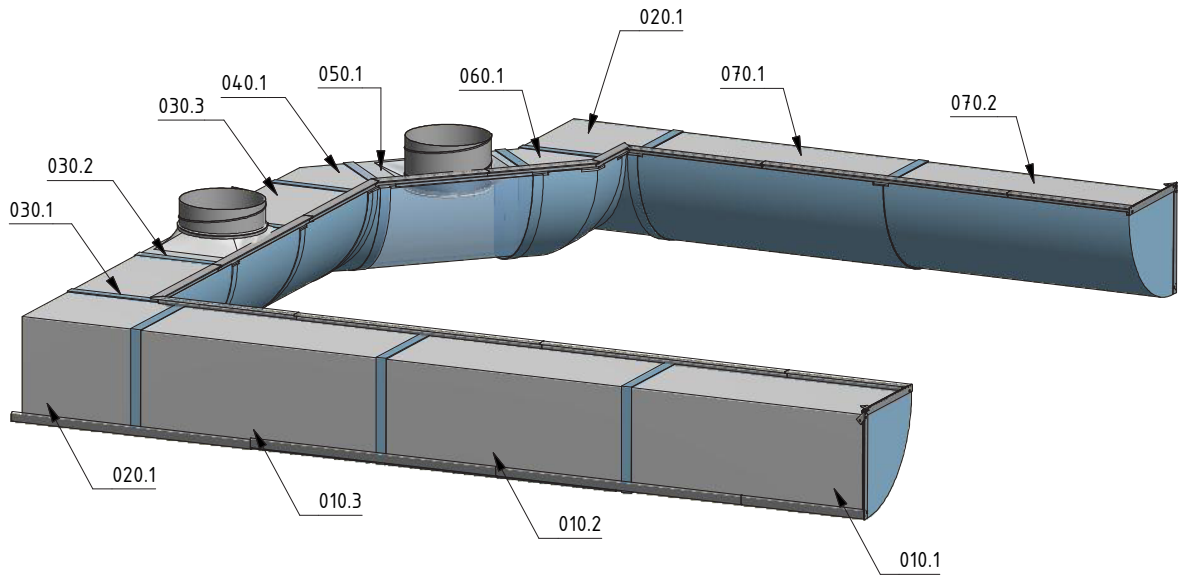
QA-0006-US-02



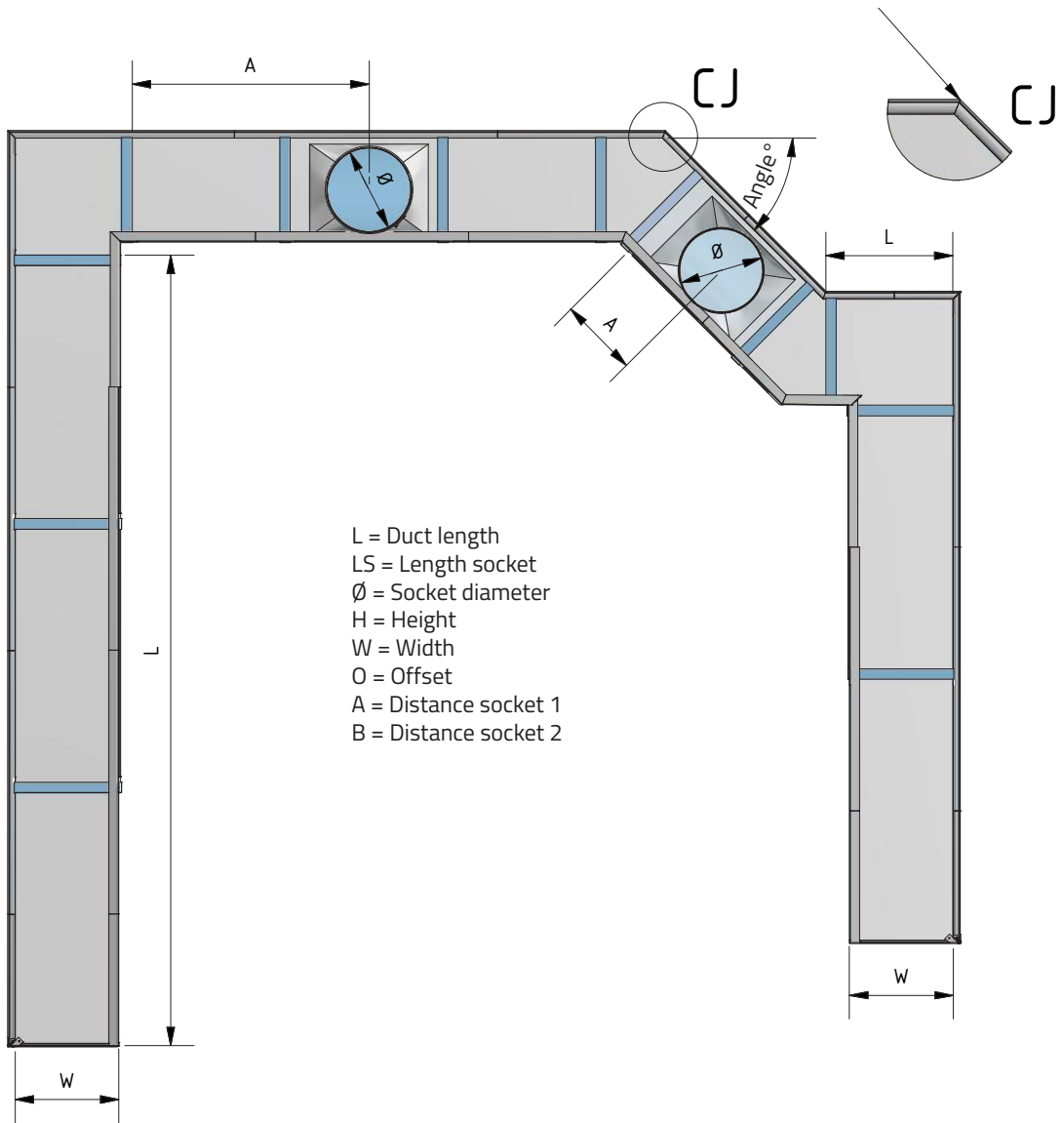
D-Alu for 1/4 Rd KE-Interior System (Plenum)

AIR THE WAY YOU WANT

QA-0007-US-02



No alignment pins for elbows. The rail section immediately before and after the elbow must be fixed to the ceiling with min. 2 screws.

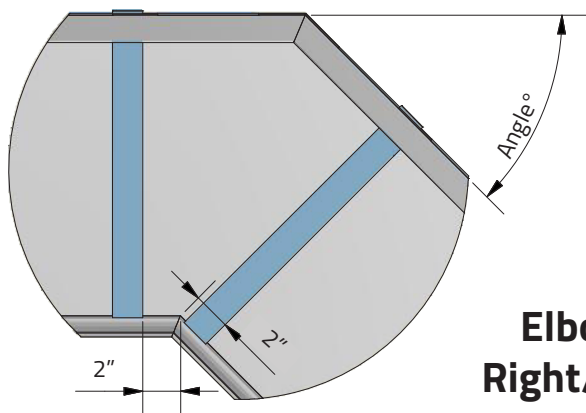


D-Alu for 1/4 Rd KE-Interior System (Mitered Elbow)

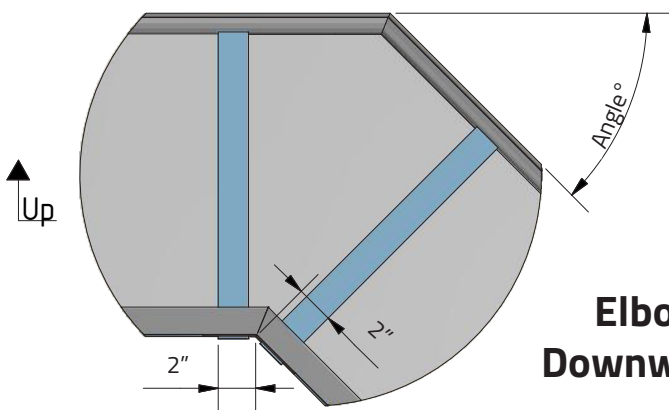
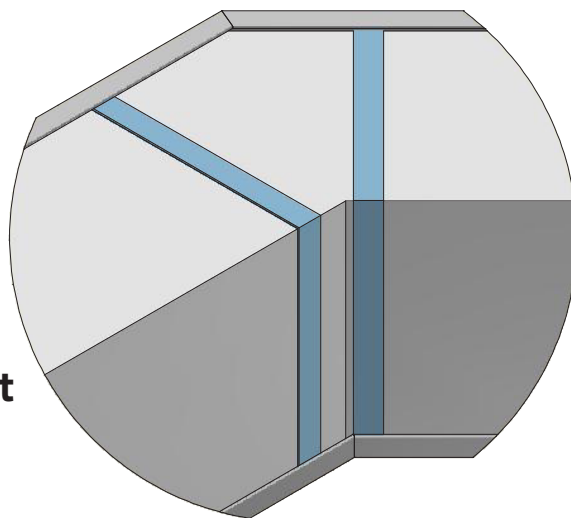
AIR THE WAY YOU WANT

QA-0008-US-02

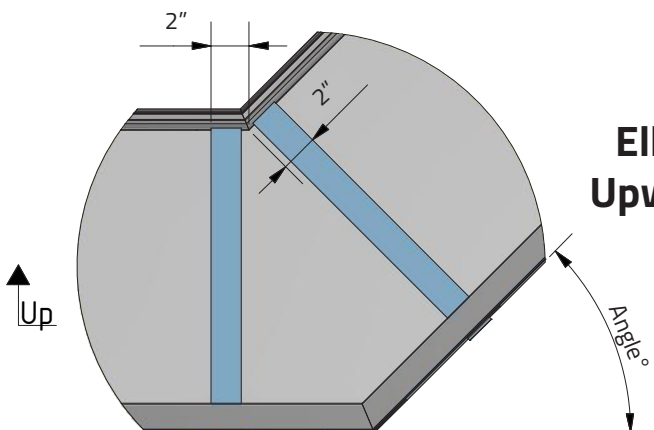
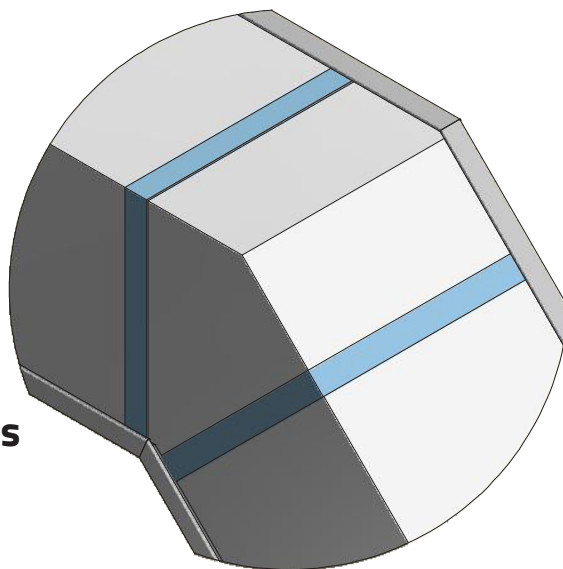
See delivery note for specific angle



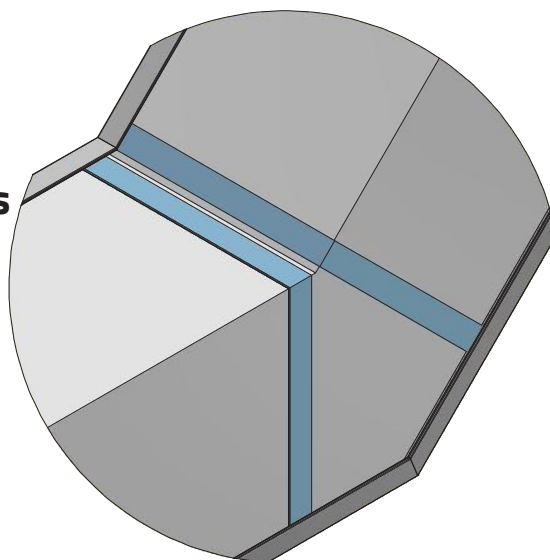
**Elbow
Right/Left**



**Elbow
Downwards**

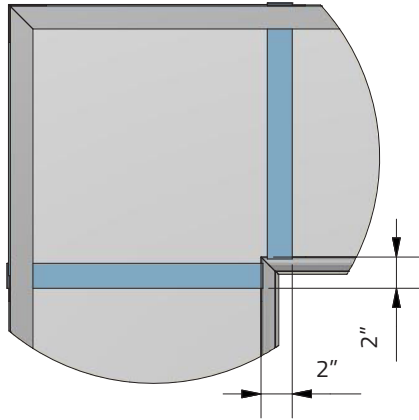


**Elbow
Upwards**

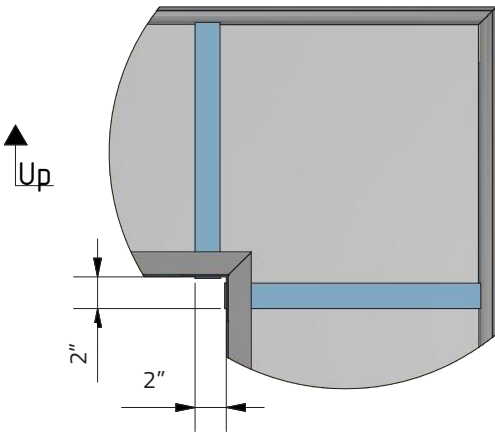
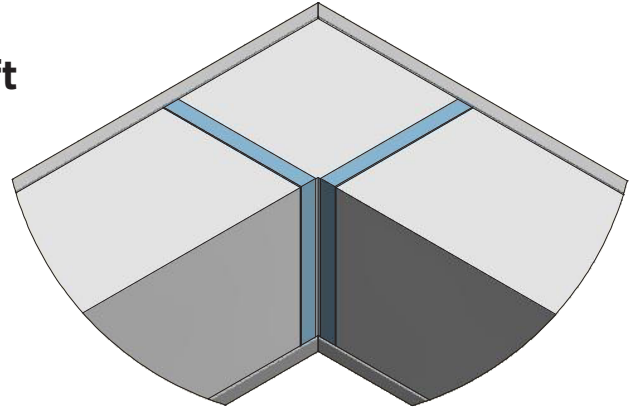


D-Alu for 1/4 Rd KE-Interior System (Mitered Elbow 90°) AIR THE WAY YOU WANT

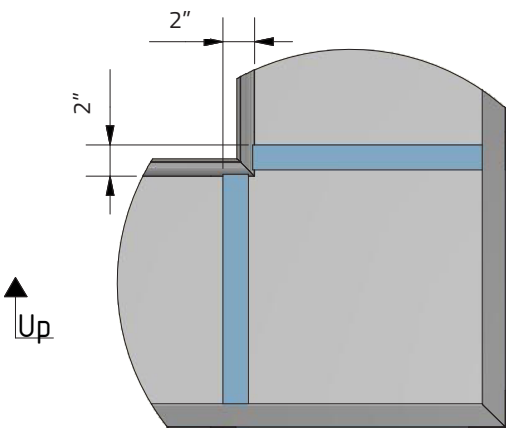
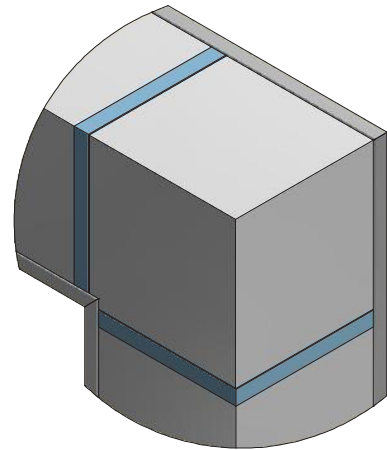
QA-0009-US-02



Elbow
Right/Left



Elbow
Downwards



Elbow
Upwards

