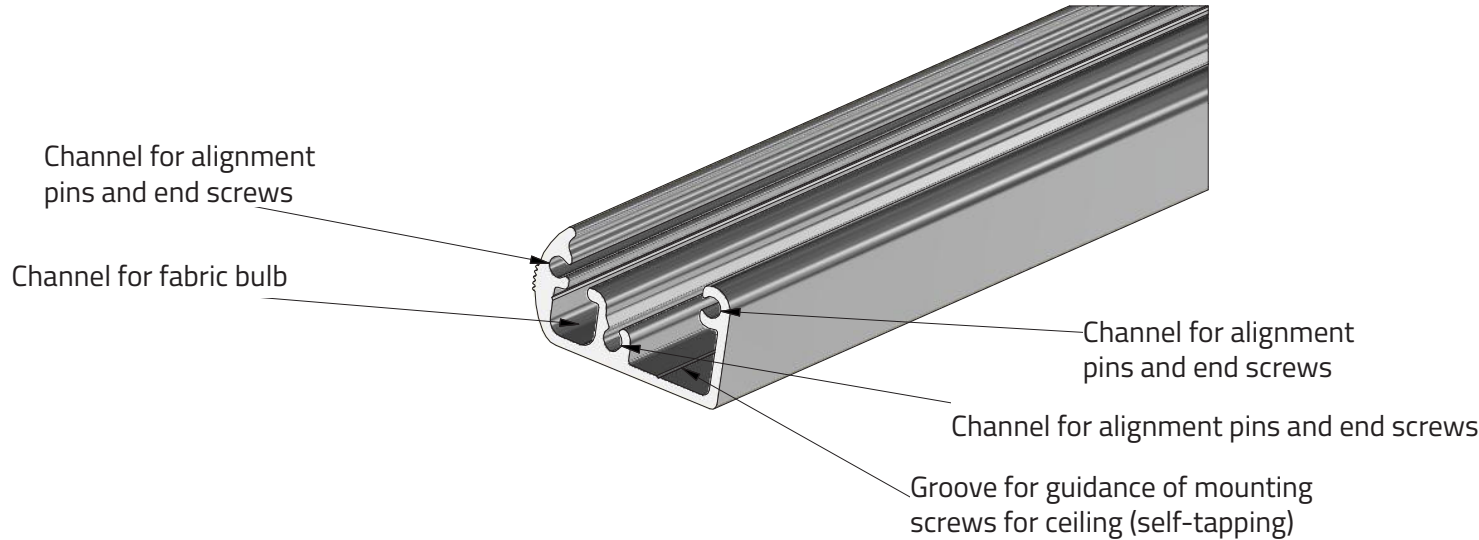
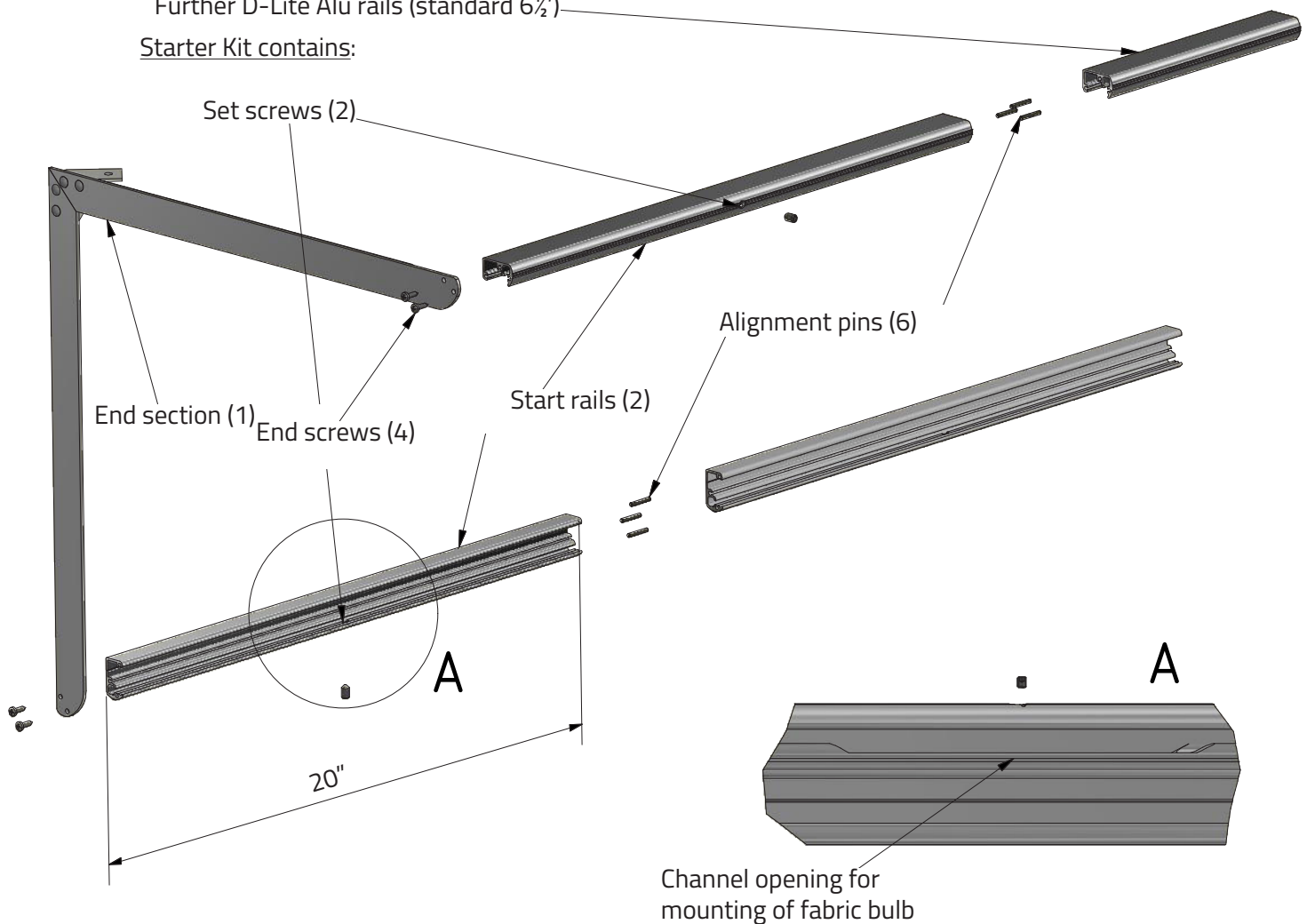


D-Lite Alu Suspension for 1/4 Rd KE-Interior System

AIR THE WAY YOU WANT

QL-0003-US-02

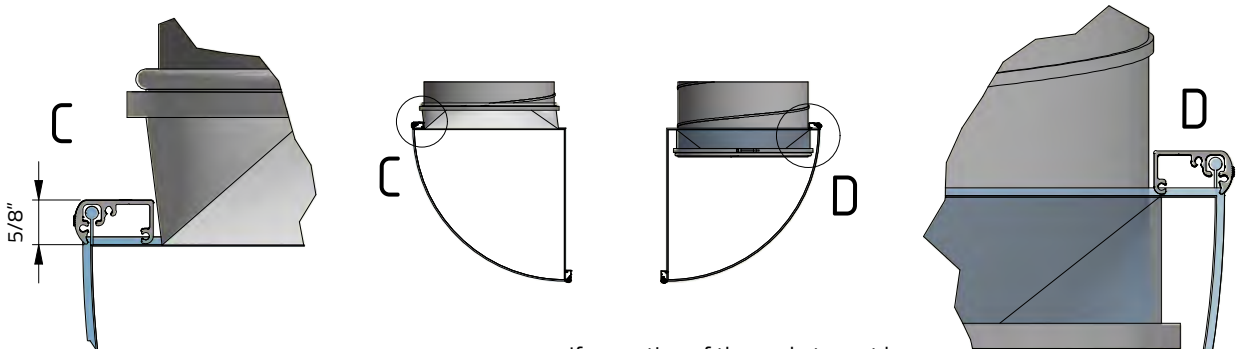
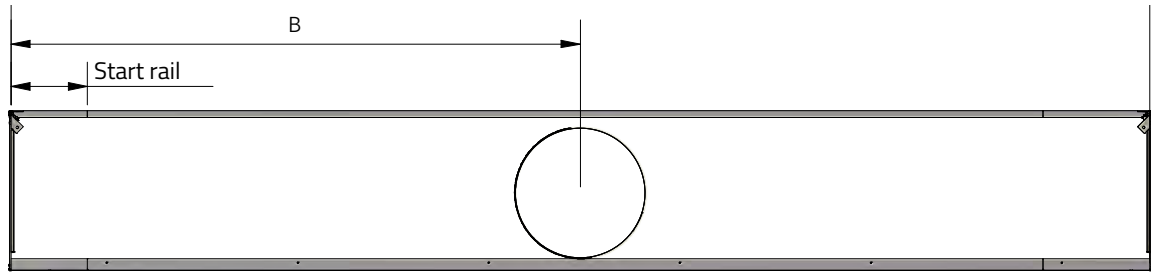
Further D-Lite Alu rails (standard 6½')
 Starter Kit contains:



D-Lite Alu for 1/4 Rd KE-Interior System (Rail Assembly)

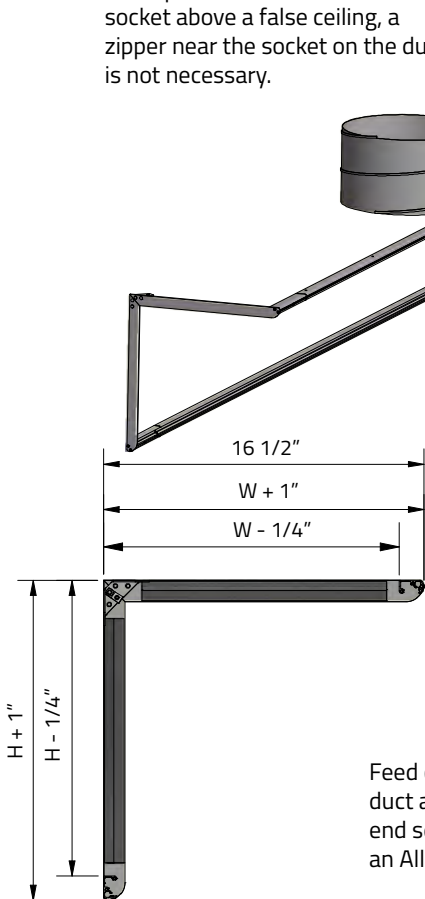
AIR THE WAY YOU WANT

QL-0004-US-04

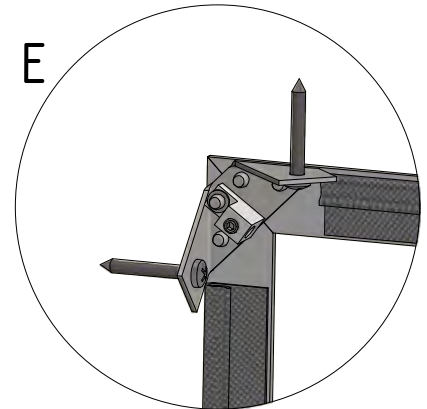


If it is possible to mount the socket above a false ceiling, a zipper near the socket on the duct is not necessary.

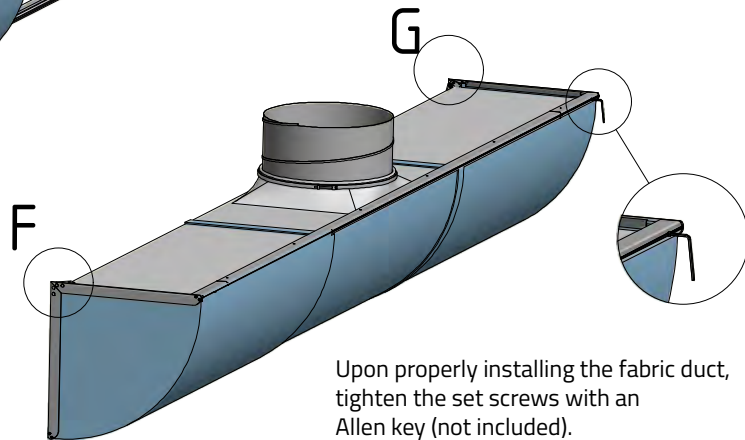
If mounting of the socket must be done from inside the space you must place at least 1 zipper close to the socket. Otherwise a service zipper must be placed in the arc of the duct.



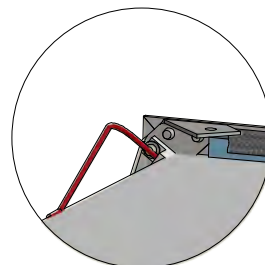
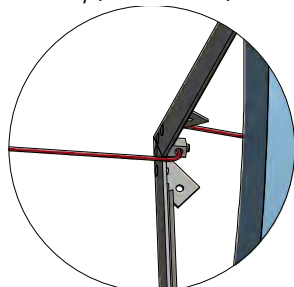
Fasten inner corner of rail to wall or ceiling with at least one screw.



Feed cord through hole. Pull/push the duct along the rails until reaching the end section. Tighten the set screw with an Allen key (not included).

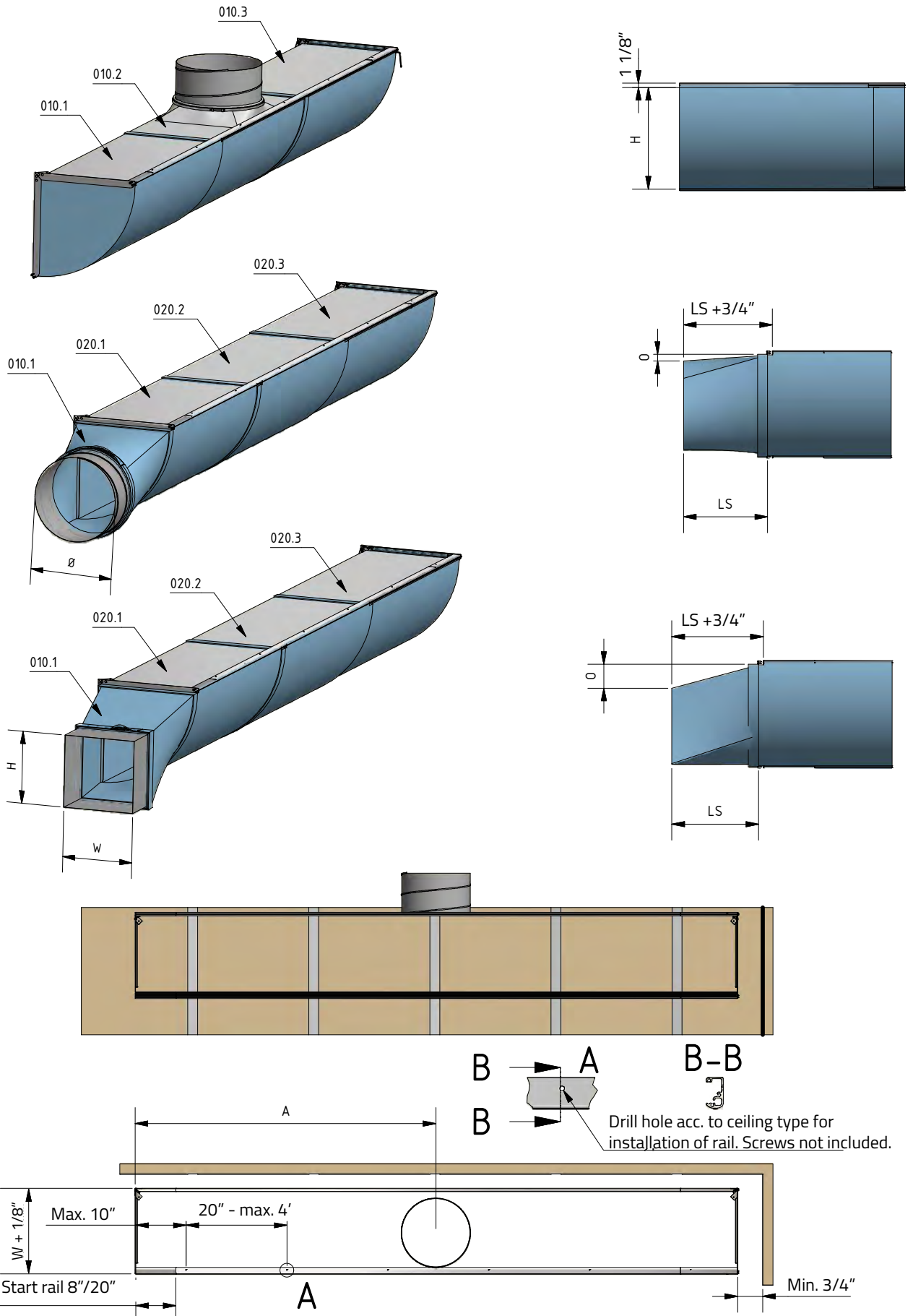


Upon properly installing the fabric duct, tighten the set screws with an Allen key (not included).



D-Lite Alu for 1/4 Rd KE-Interior System (Inlet Options)

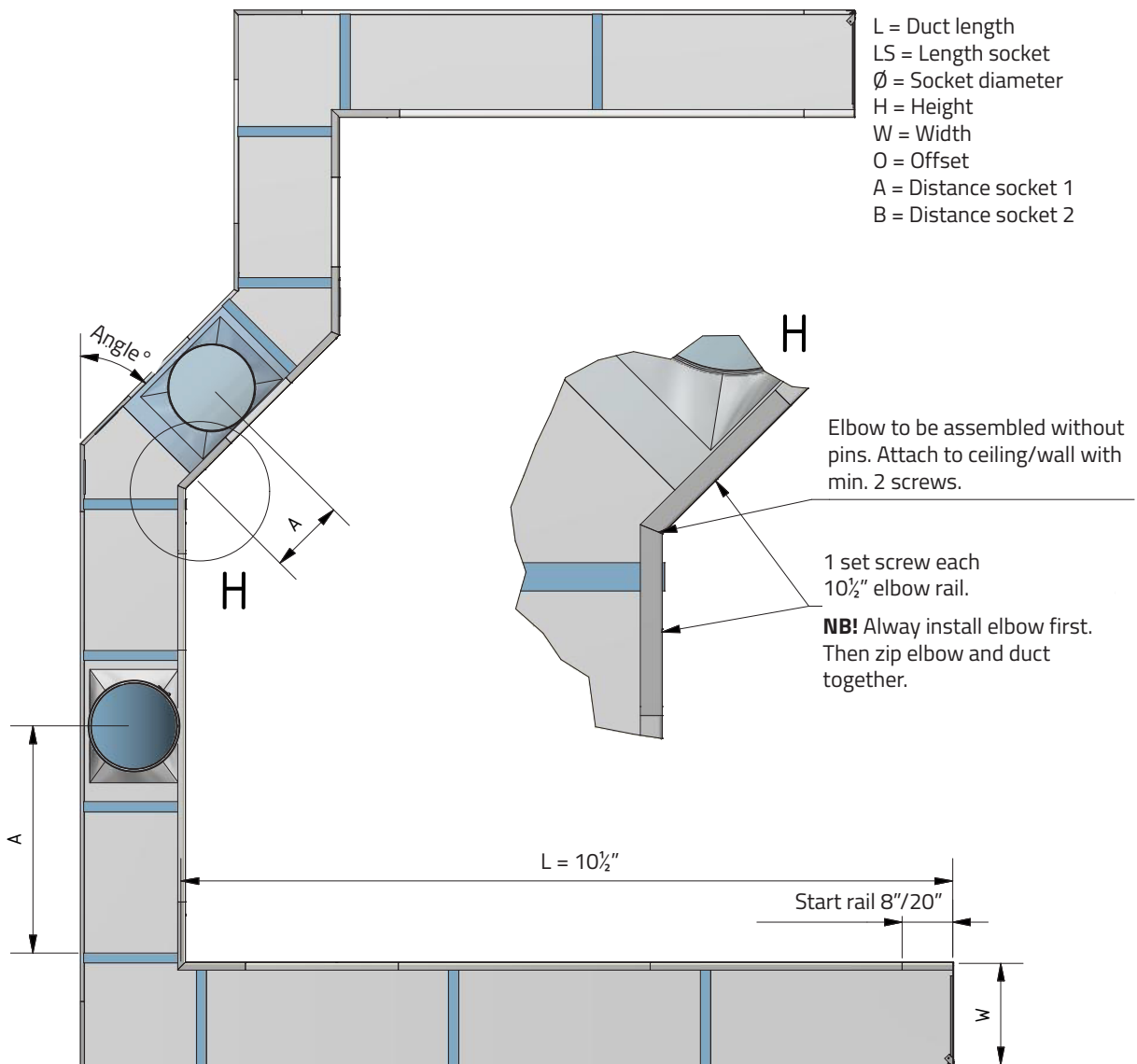
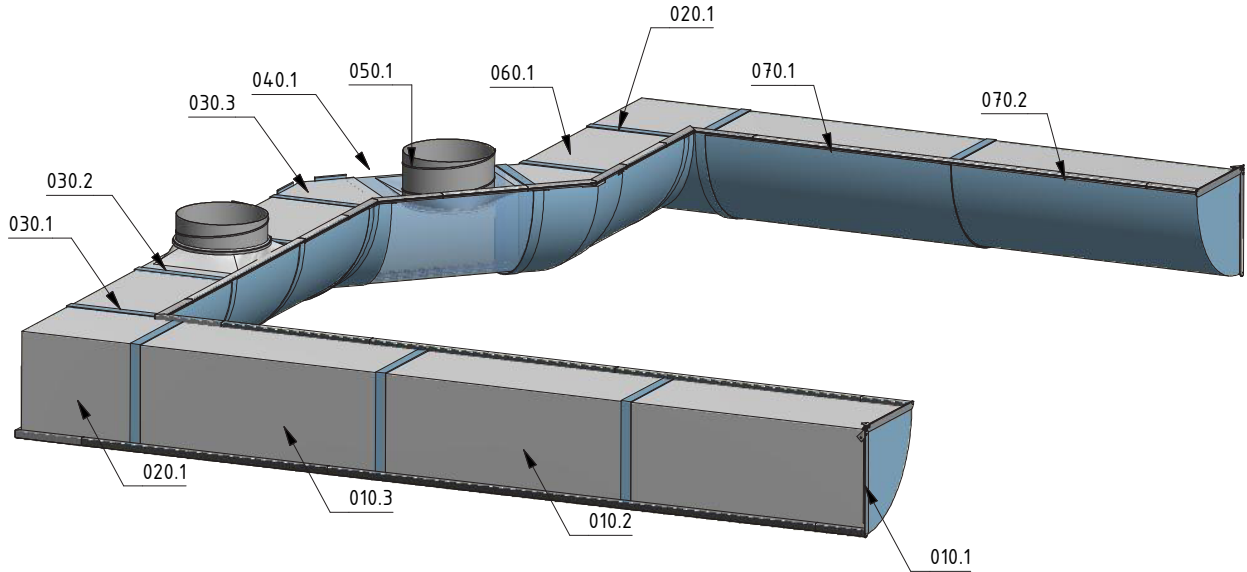
QL-0005-US-03



D-Lite Alu for 1/4 Rd KE-Interior System (Plenum)

AIR THE WAY YOU WANT

QL-0006-US-02

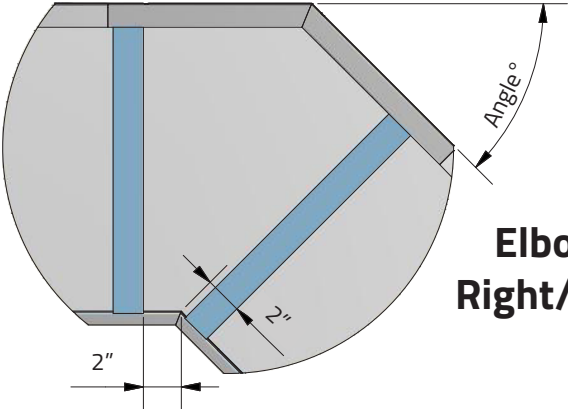


D-Lite Alu for 1/4 Rd KE-Interior System (Mitered Elbow)

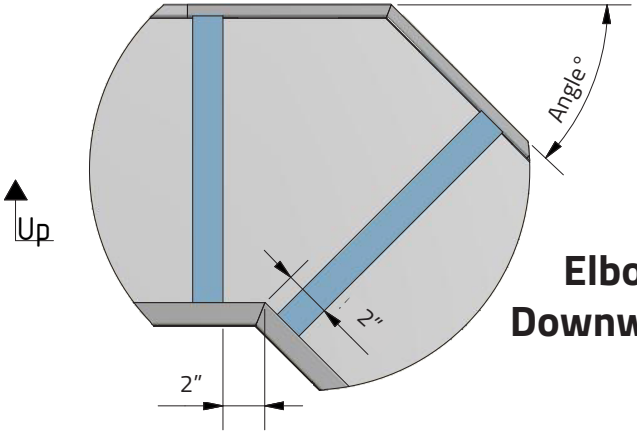
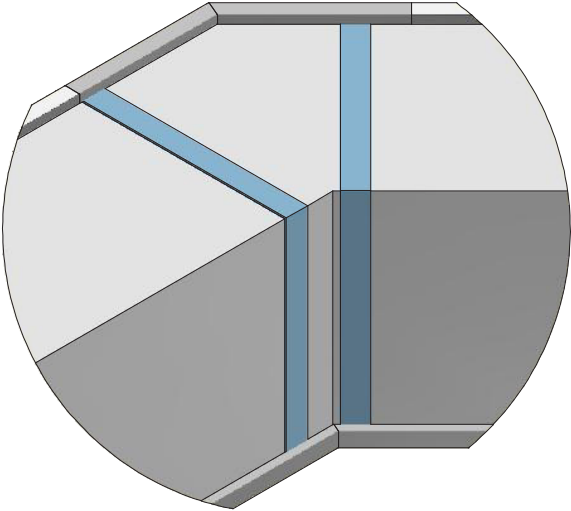
AIR THE WAY YOU WANT

QL-0007-US-02

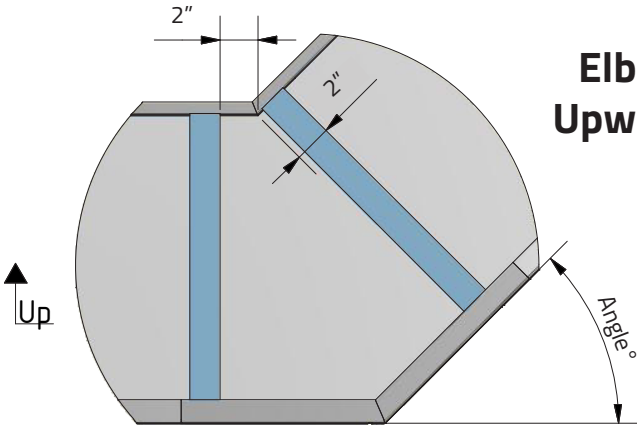
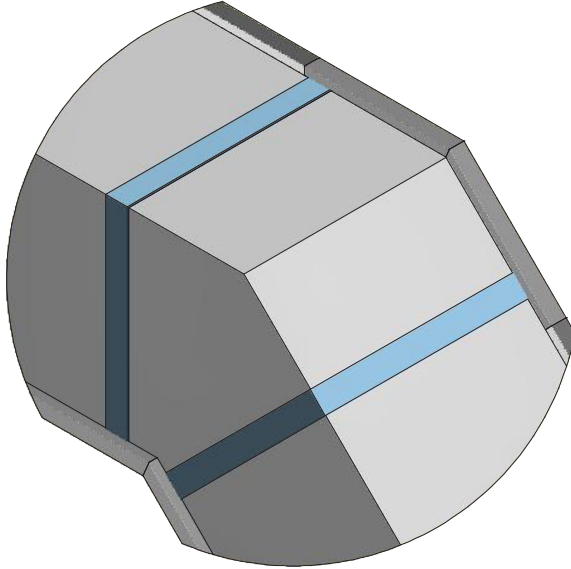
See delivery note for specific angle



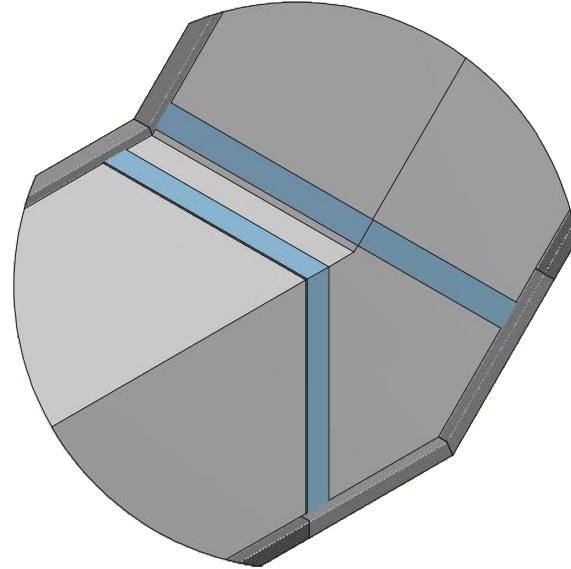
**Elbow
Right/Left**



**Elbow
Downwards**

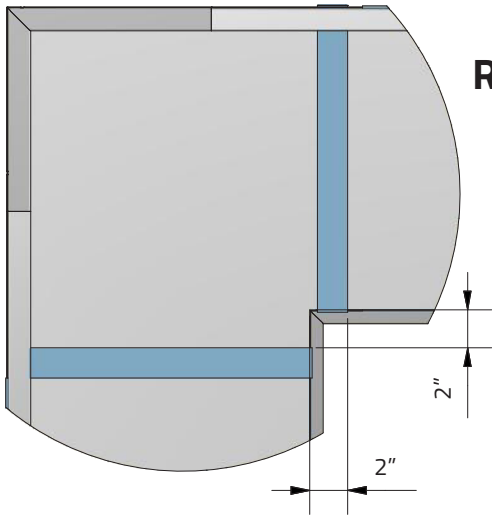


**Elbow
Upwards**

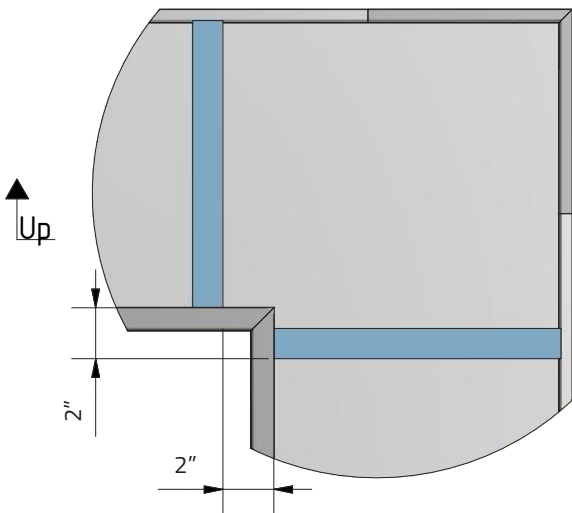
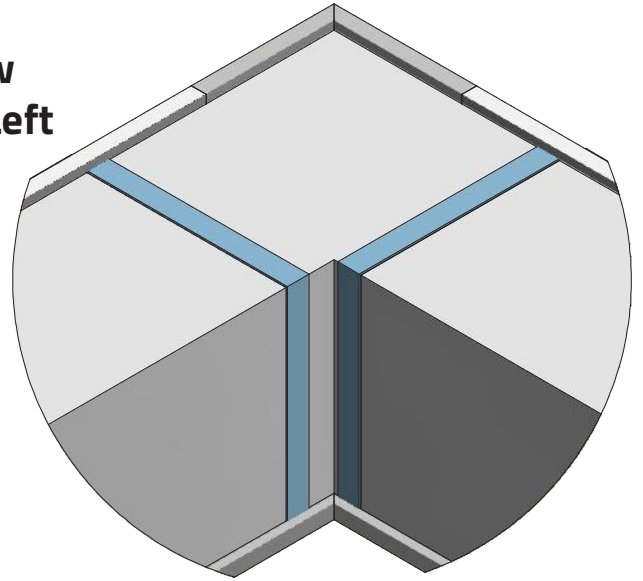


D-Lite Alu for 1/4 Rd KE-Interior System (Mitered Elbow 90°)

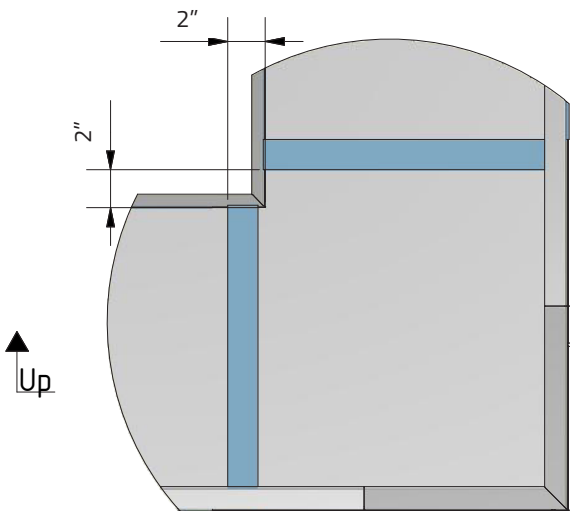
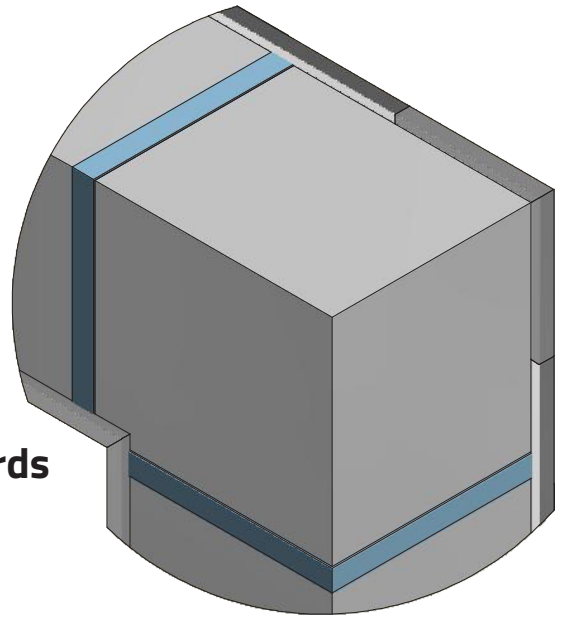
QL-0008-US-02



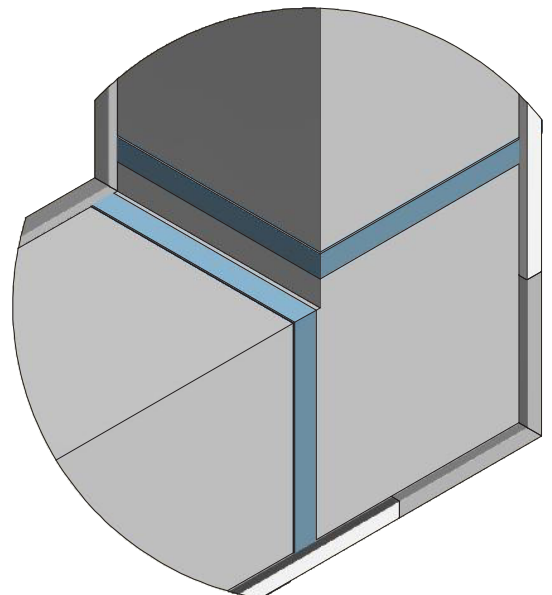
**Elbow
Right/Left**



**Elbow
Downwards**



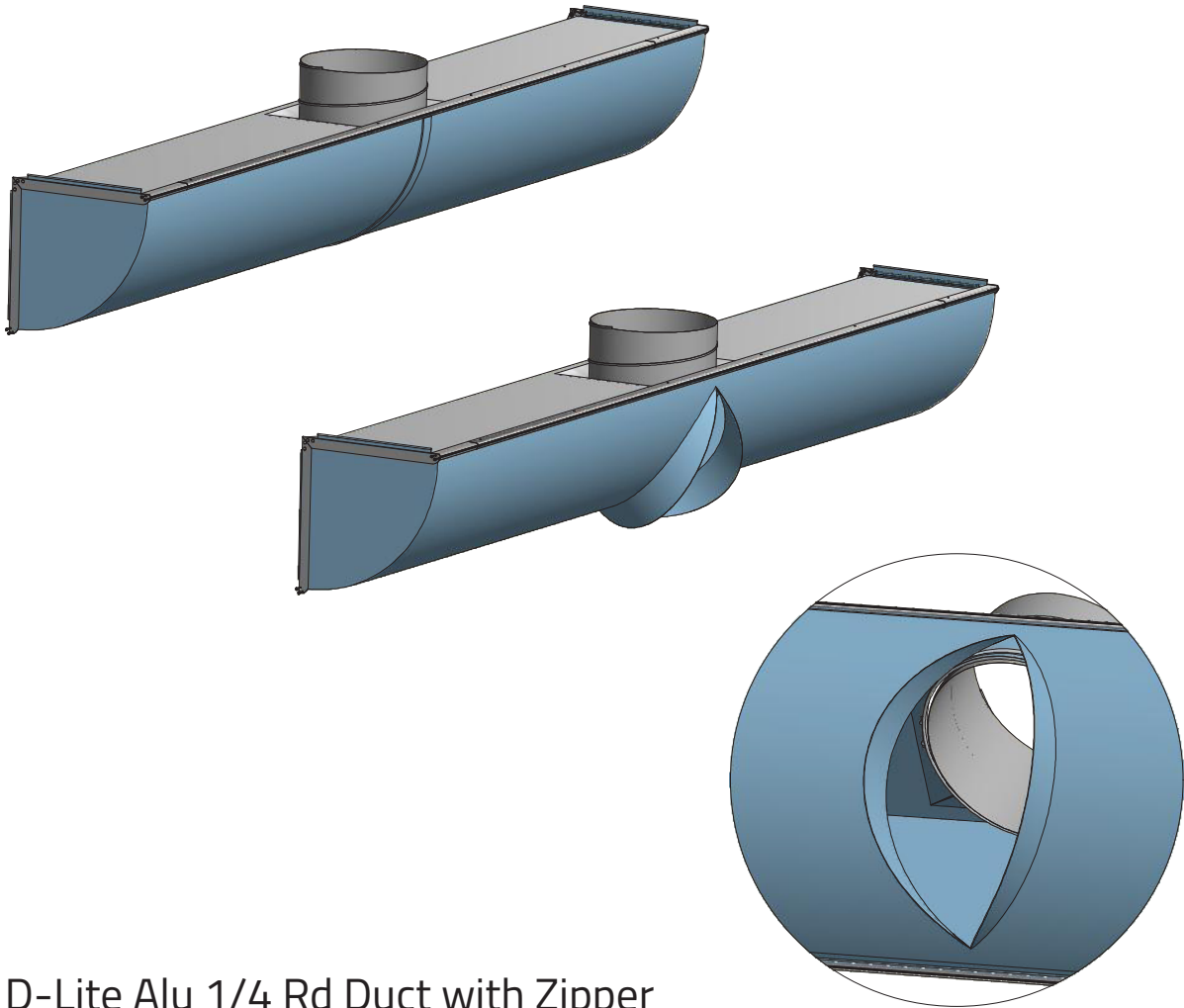
**Elbow
Upwards**



D-Lite Alu for 1/4 Rd KE-Interior System (Service Zipper)

QL-0009-US-02

D-Lite Alu 1/4 Rd Duct with Service Zipper



D-Lite Alu 1/4 Rd Duct with Zipper

