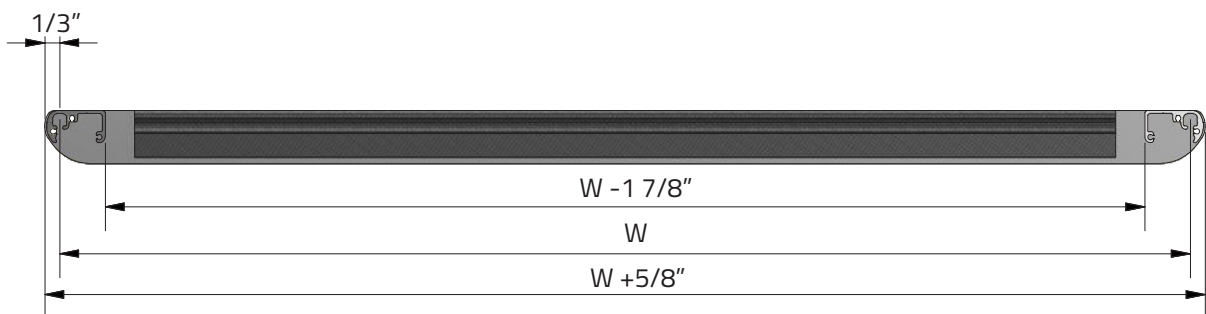
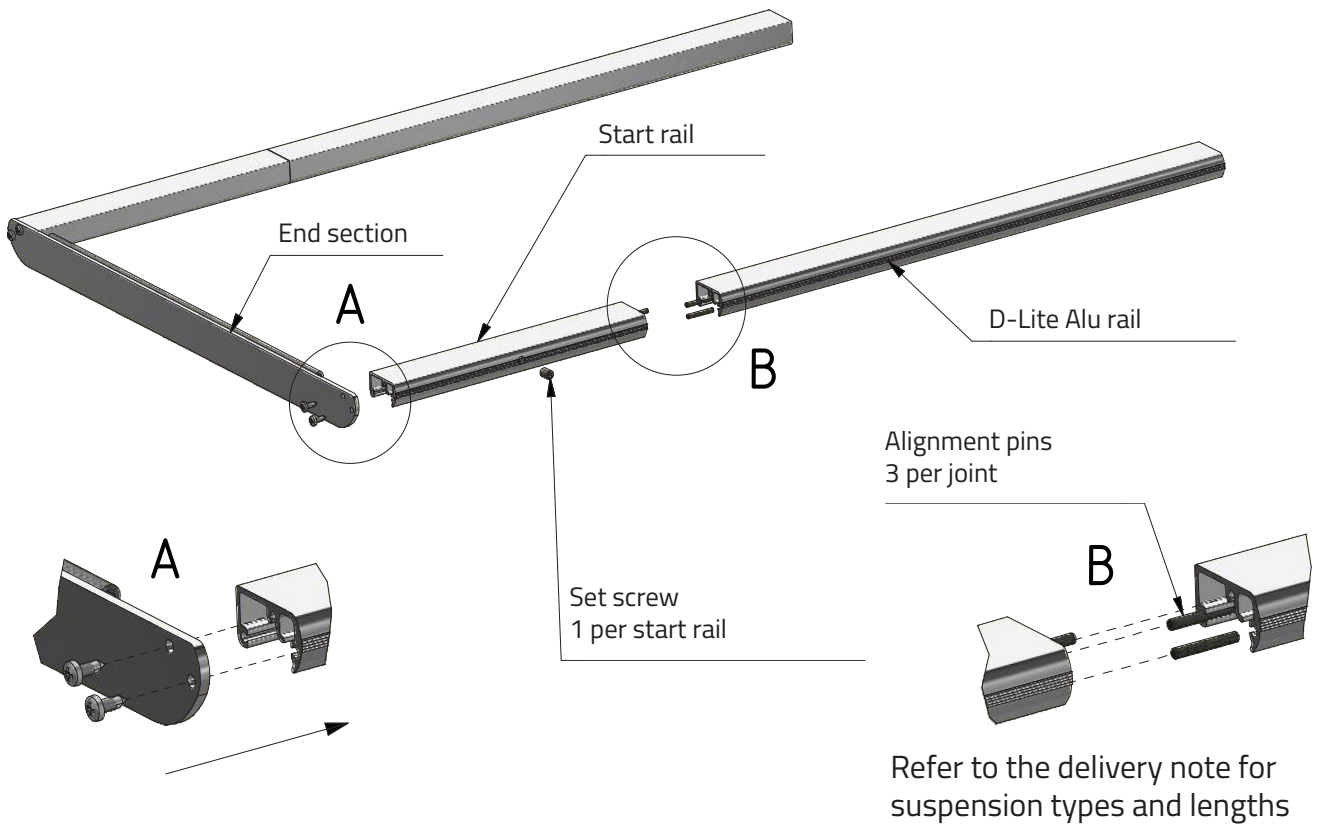


D-Lite Alu Suspension for KE-Interior System

DL-0003-US-02

Install rail system according to drawings and enclosed mounting instructions

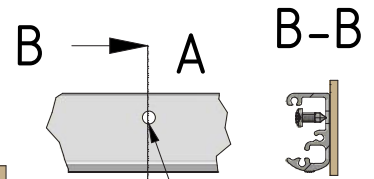
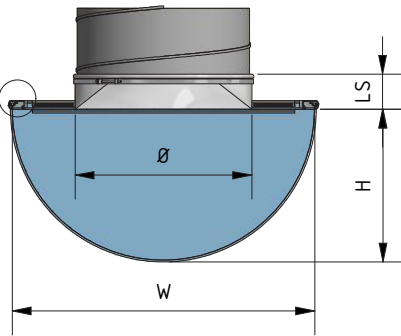
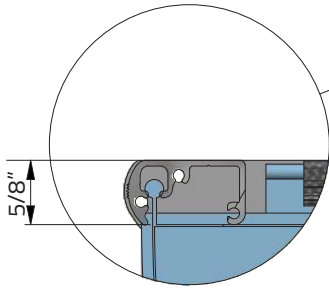


D-Lite Alu for KE-Interior System (Straight Duct)

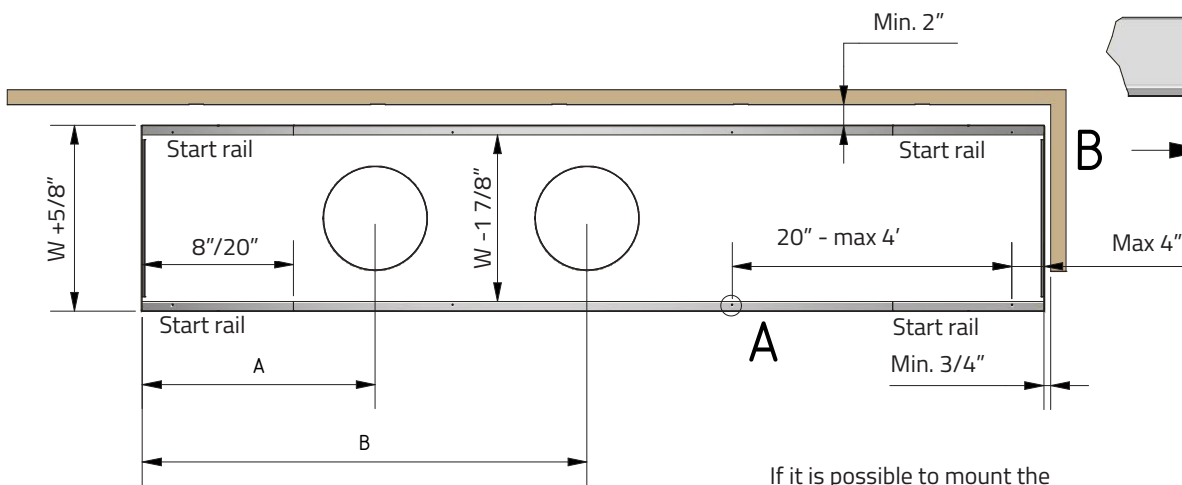
DL-0004-US-02

- L = Duct length
- LS = Length socket
- ∅ = Socket diameter
- H = Height
- W = Width
- O = Offset
- A = Distance socket 1
- B = Distance socket 2

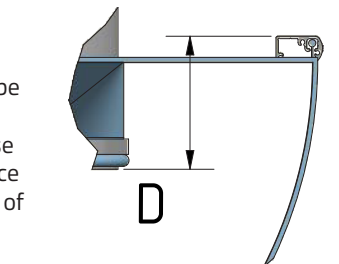
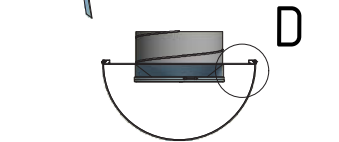
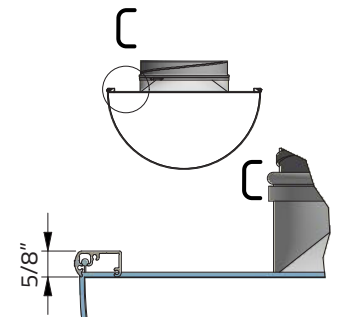
Min. height (LS) edge/cord = 2"



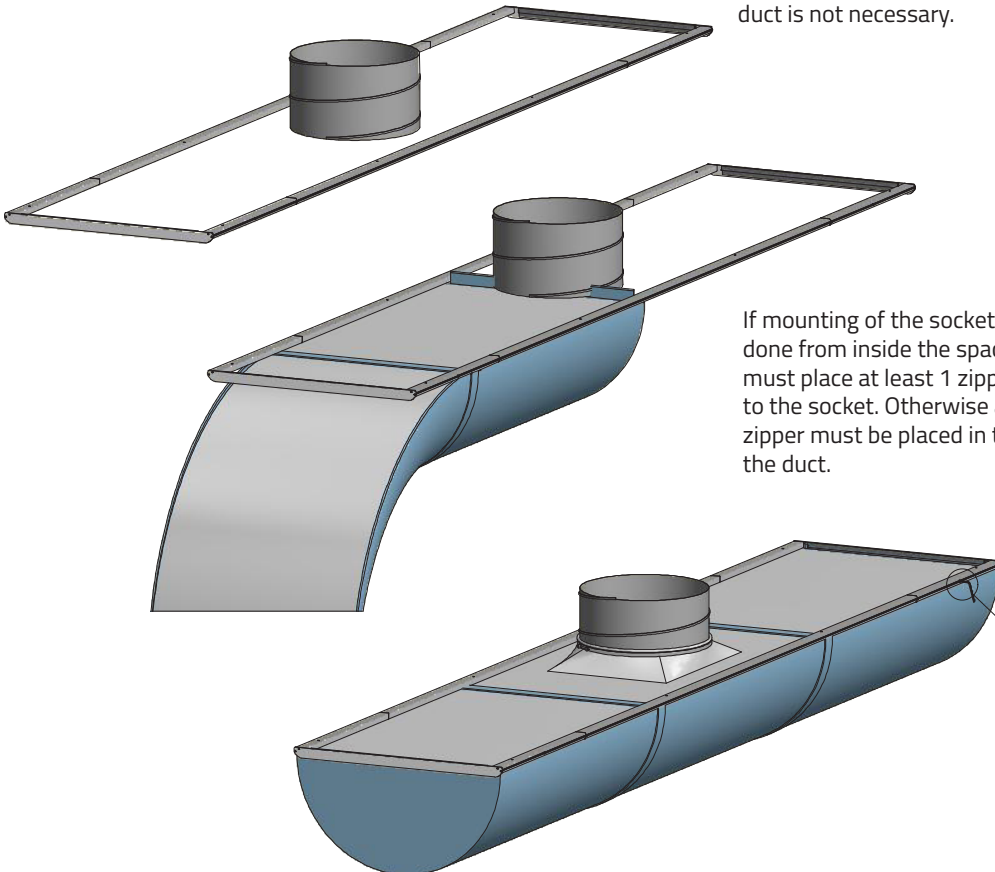
Drill hole acc. to ceiling type for installation of rail. Screws not included.



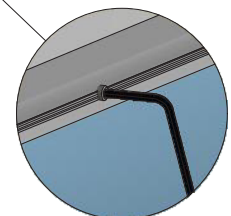
If it is possible to mount the socket above a false ceiling, a zipper near the socket on the duct is not necessary.



If mounting of the socket must be done from inside the space you must place at least 1 zipper close to the socket. Otherwise a service zipper must be placed in the arc of the duct.

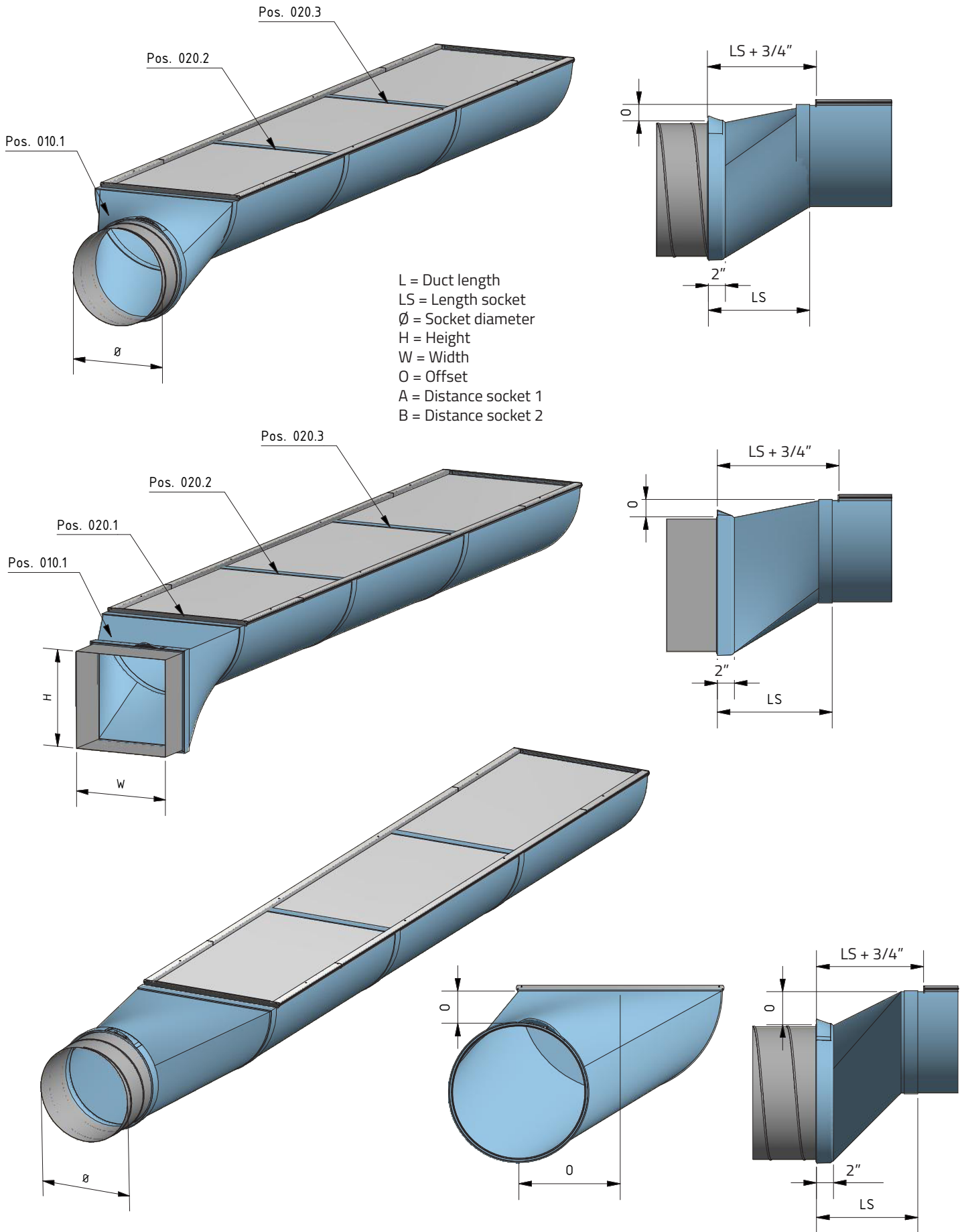


Upon properly installing the fabric duct, tighten the set screws with an Allen key (not included).



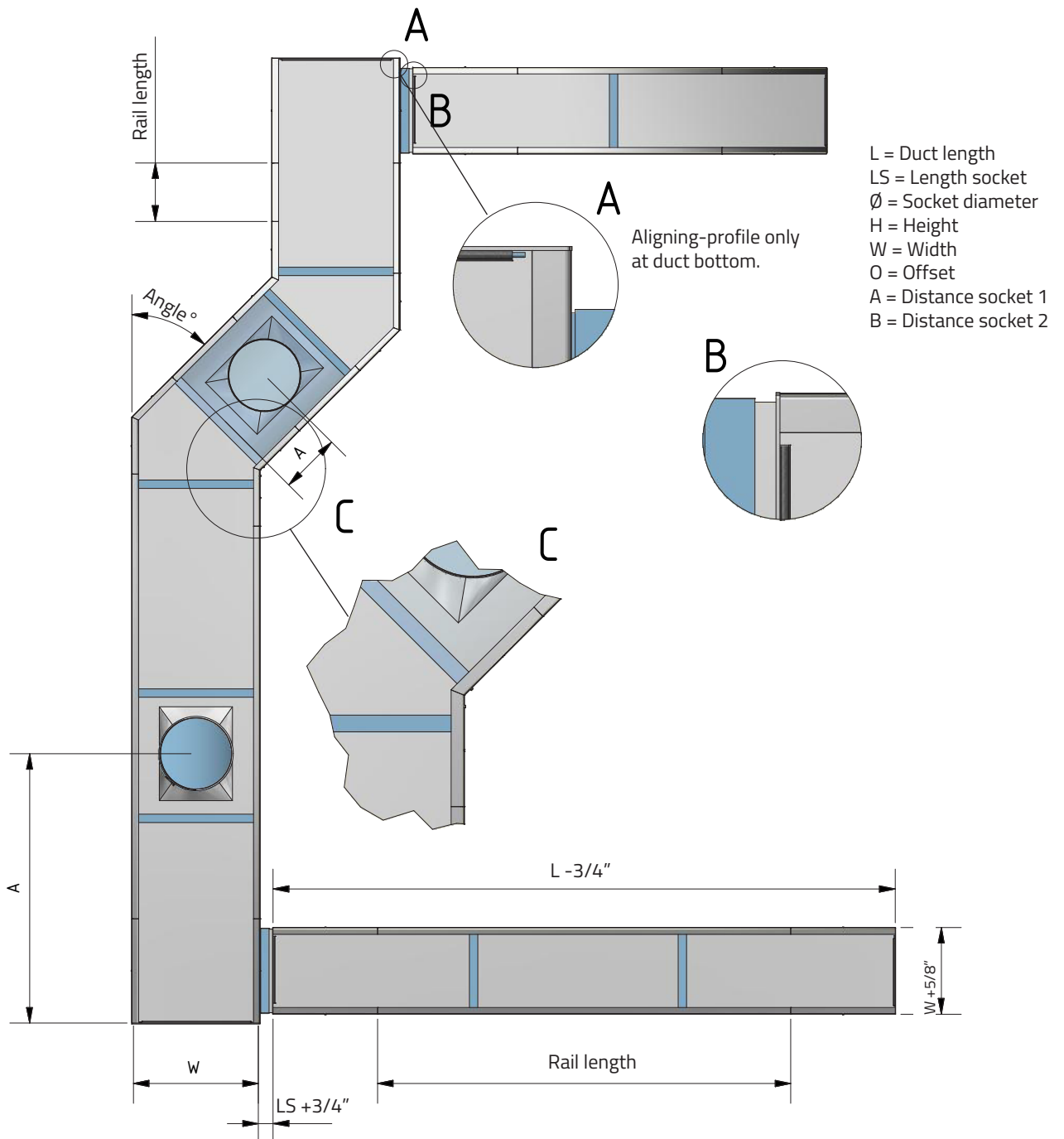
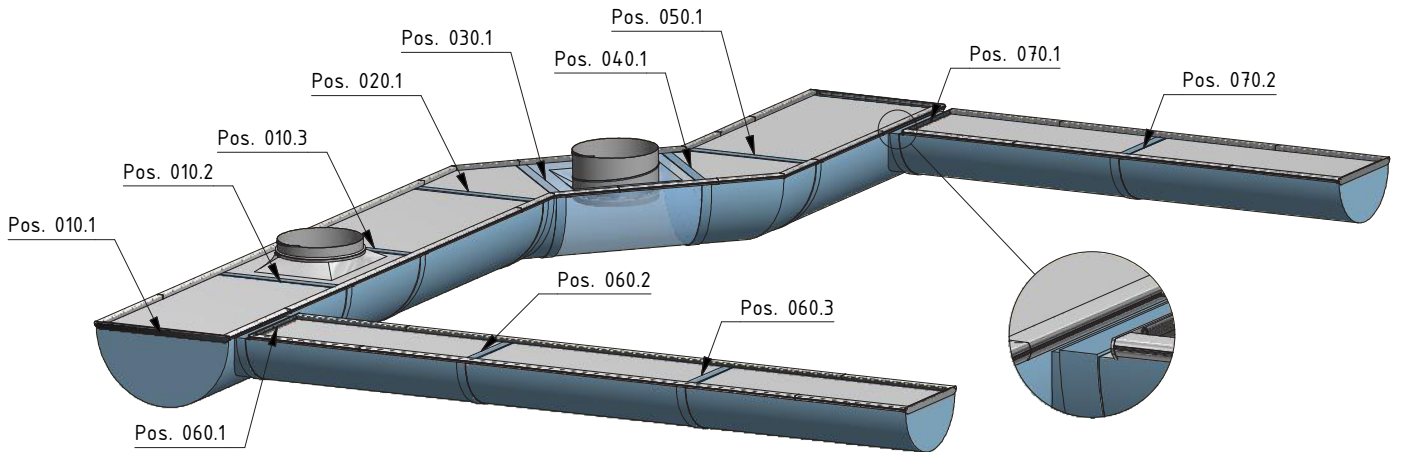
D-Lite Alu for KE-Interior System (Inlet Options)

DL-0005-US-02



D-Lite Alu Suspension for KE-Interior System (Plenum)

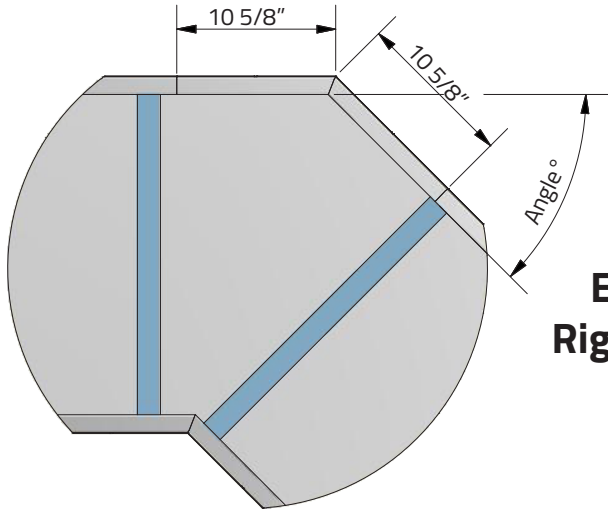
DL-0006-US-02



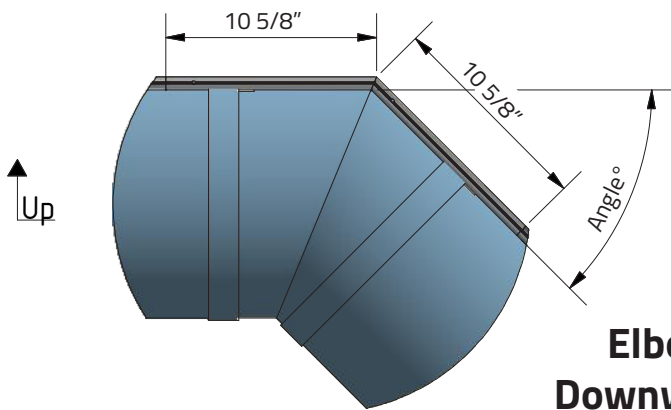
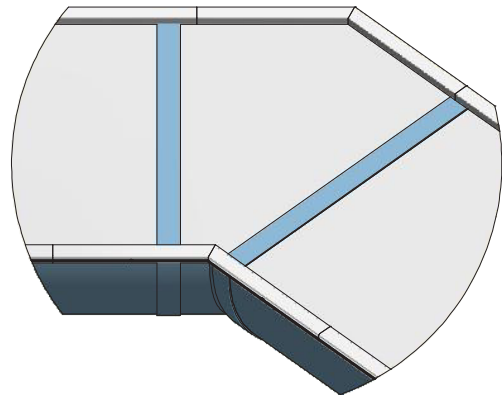
D-Lite Alu for KE-Interior System (Mitered Elbow)

DL-0007-US-02

See delivery note for specific angle

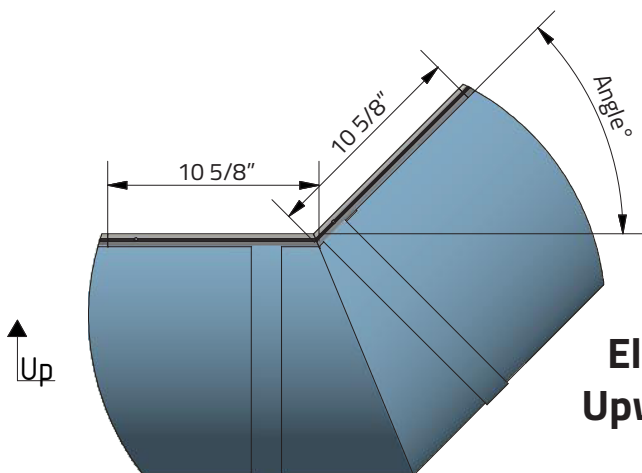
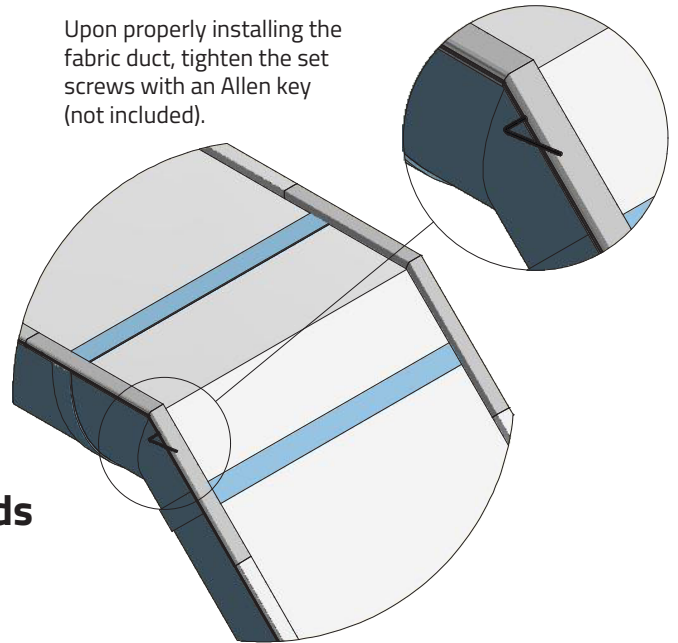


**Elbow
Right/Left**

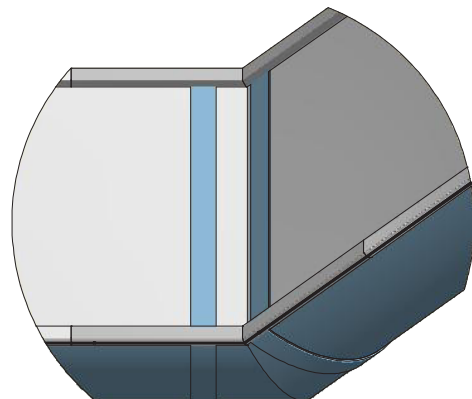


**Elbow
Downwards**

Upon properly installing the fabric duct, tighten the set screws with an Allen key (not included).

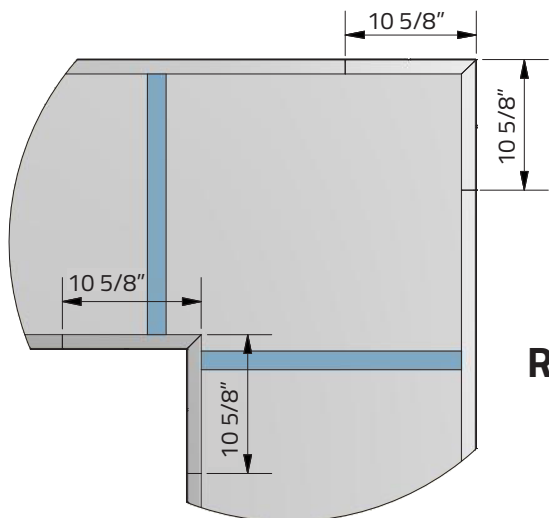


**Elbow
Upwards**

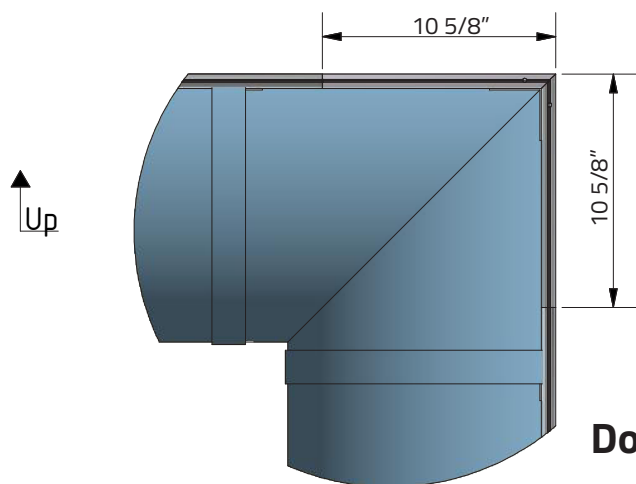
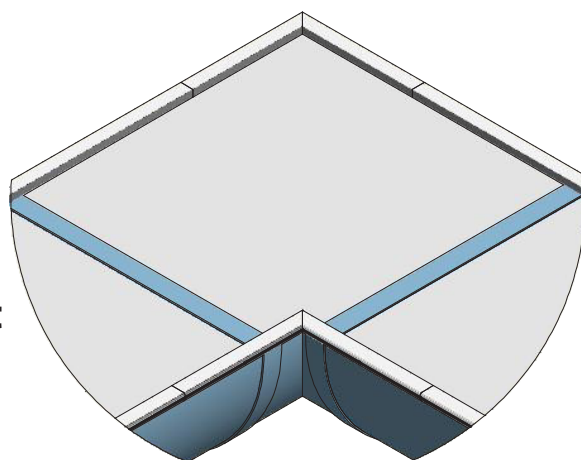


D-Lite Alu for KE-Interior System (Mitered Elbow 90°)

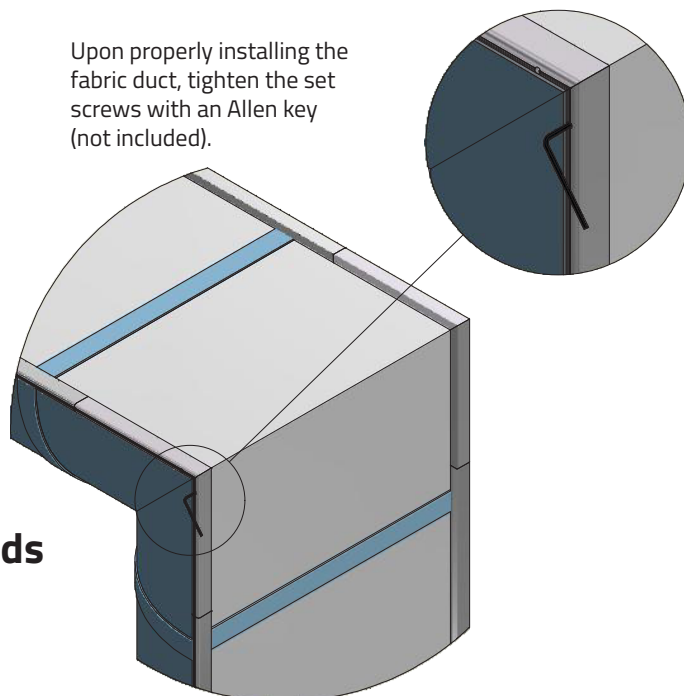
DL-0008-US-02



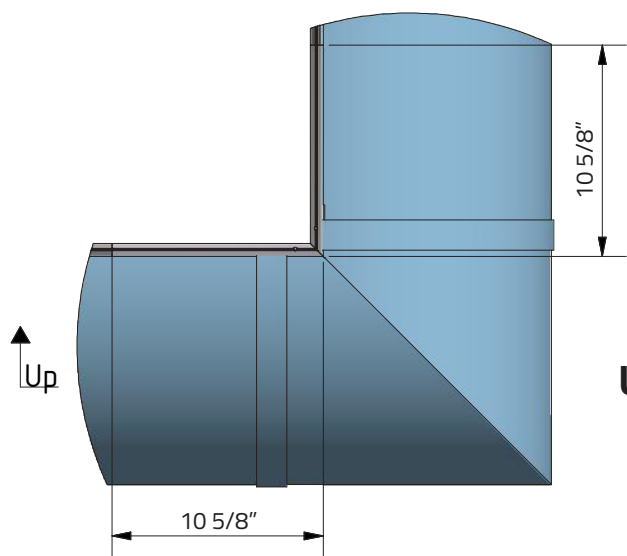
**Elbow
Right/Left**



**Elbow
Downwards**



Upon properly installing the fabric duct, tighten the set screws with an Allen key (not included).



**Elbow
Upwards**

