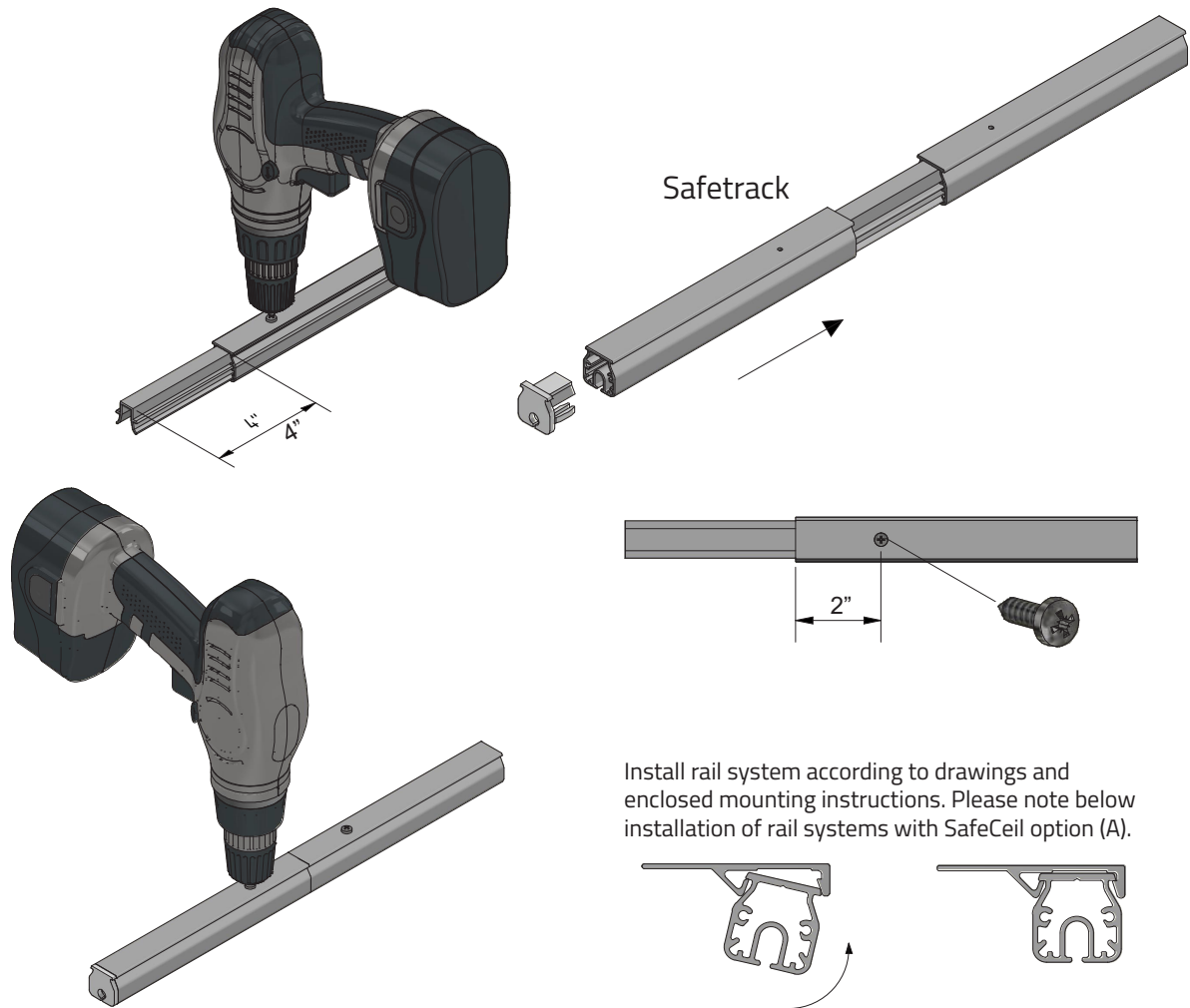


Safetrack Suspension Options

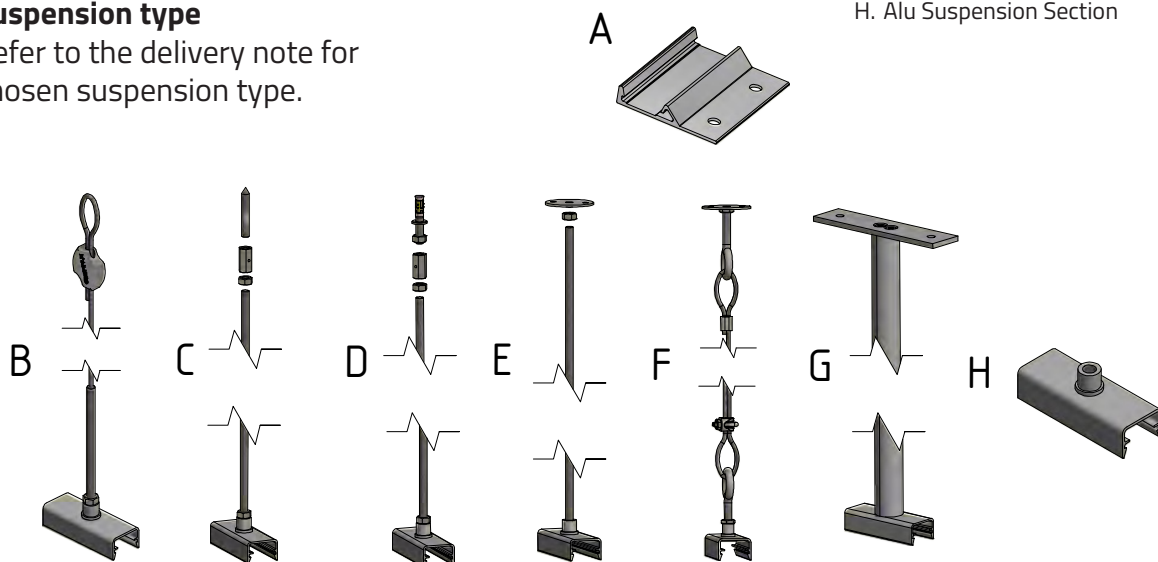
OS-0004-US-04



- A. SafeCeil
- B. Gripper (M6)
- C. Wood screw (M6)
- D. Expansion bolt (M6)
- E. Thread flange (M6)
- F. Cable with eyebolt (M6)
- G. SafeStrapUp (M6)
- H. Alu Suspension Section

Suspension type

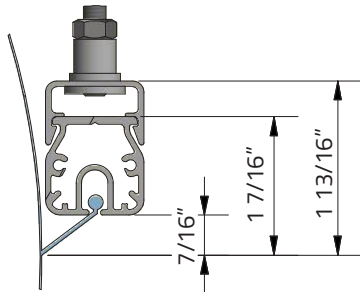
Refer to the delivery note for chosen suspension type.



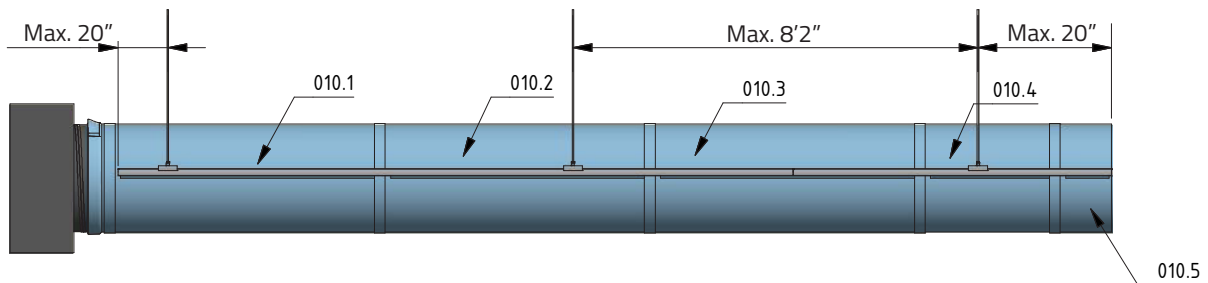
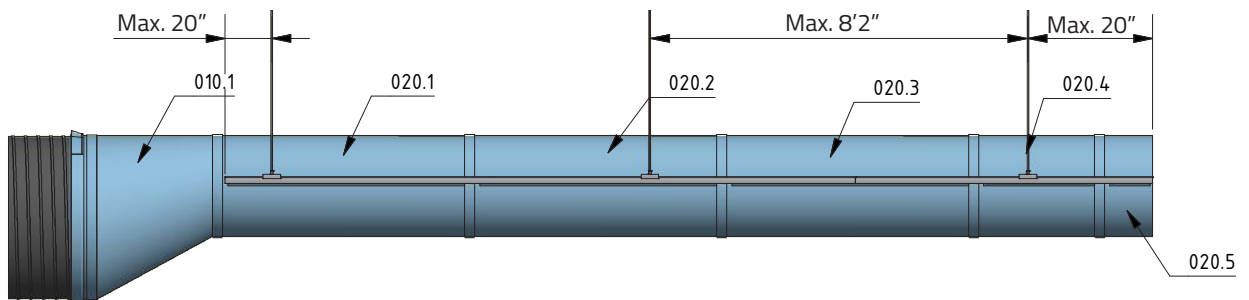
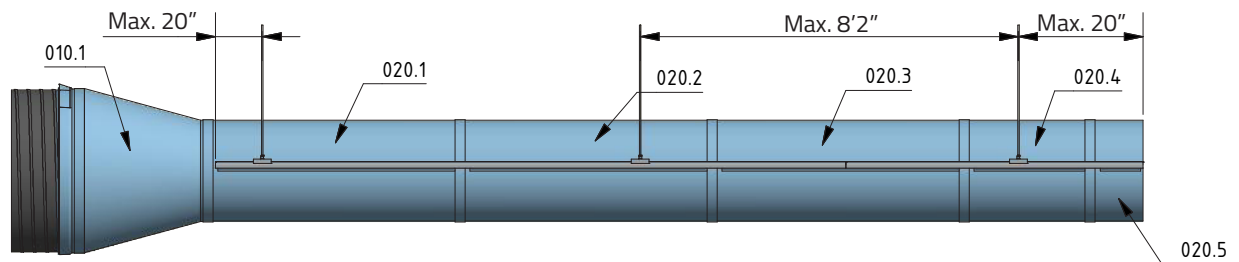
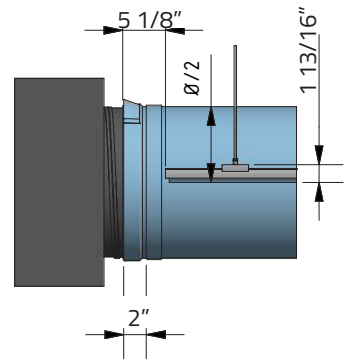
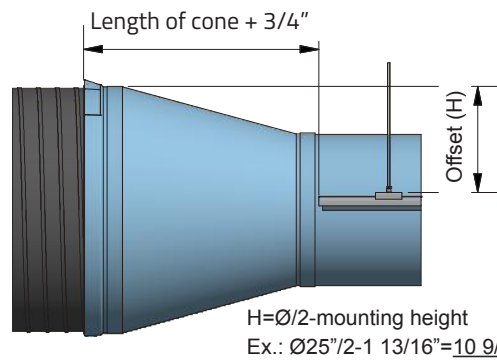
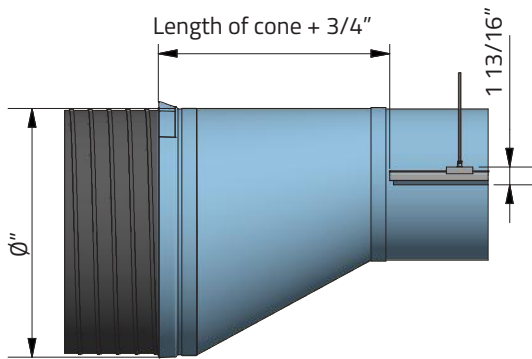
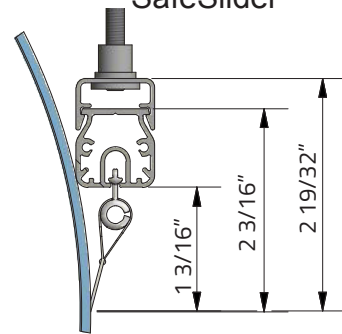
Safetrack, Double Suspension

OS-0005-US-02

SafeBulb

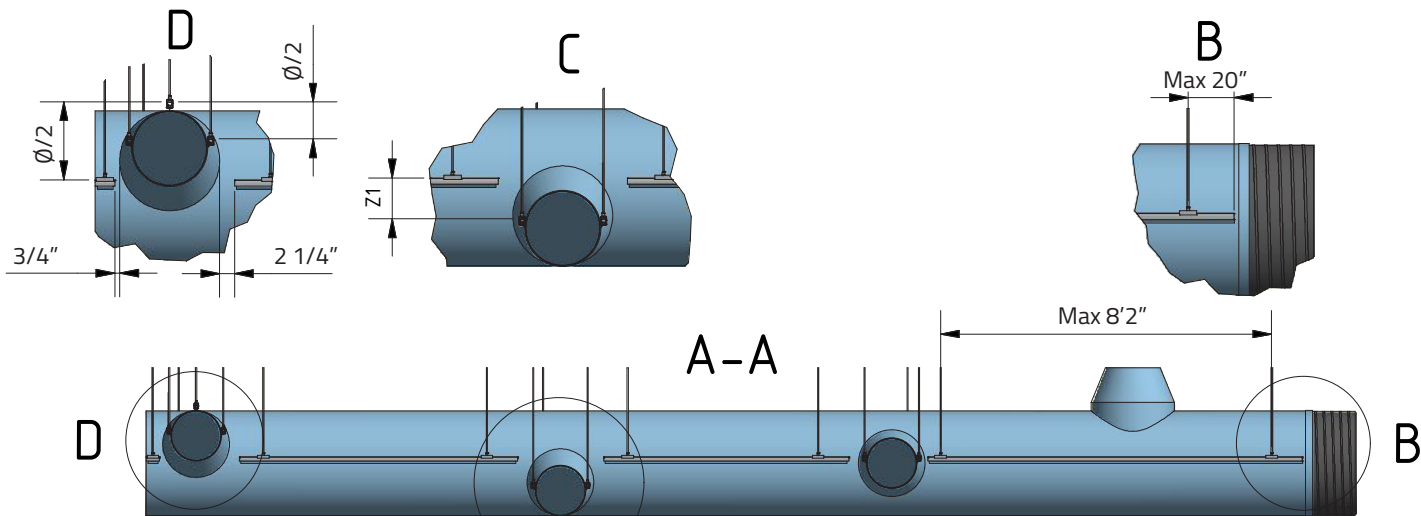


SafeSlider



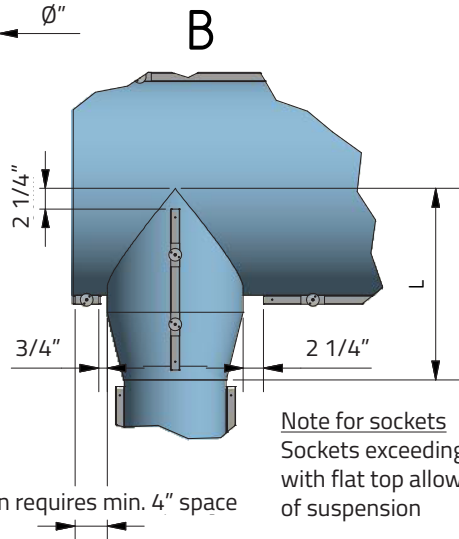
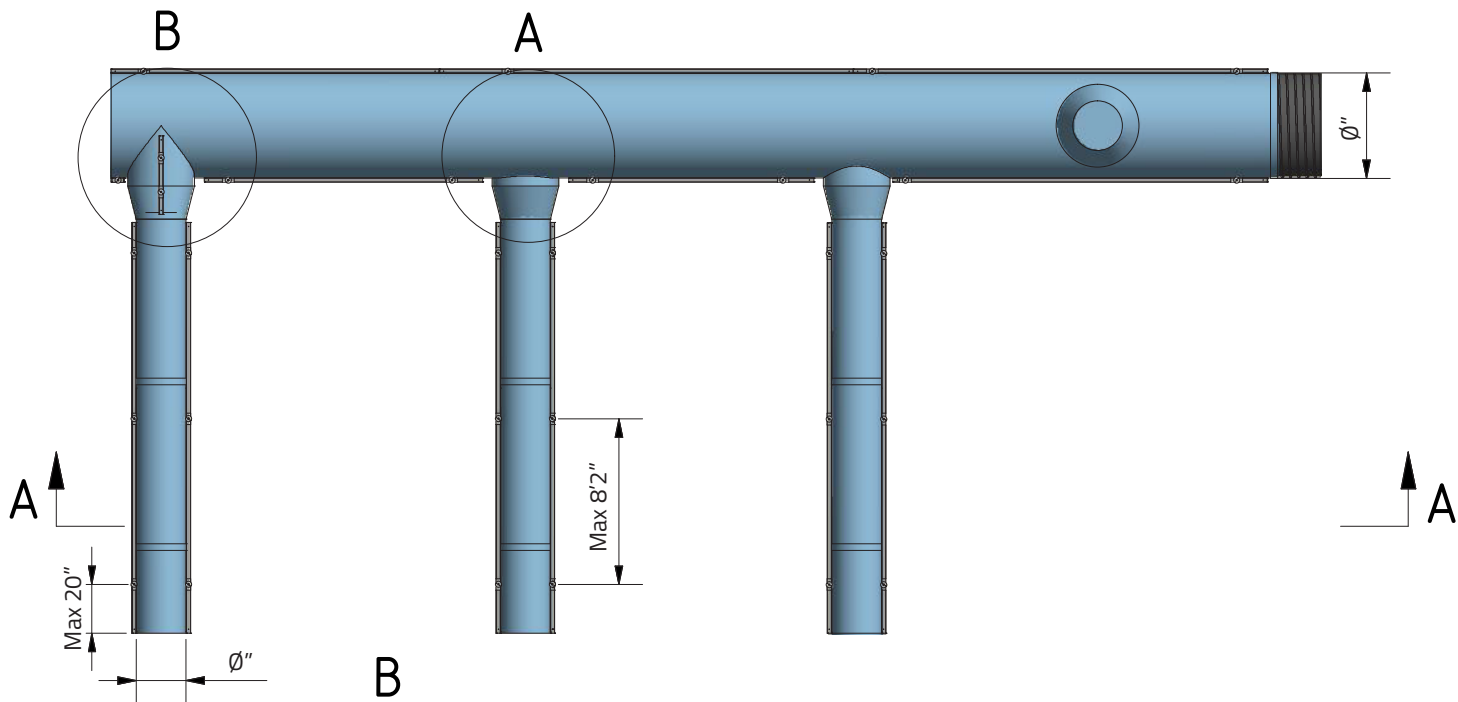
Safetrack, Plenum, Double Suspension

OS-0006-US-02

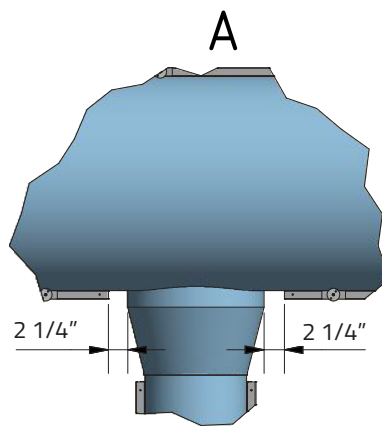


For ducts flat on bottom: Height difference Z1 is calculated as follows:
 $(\text{Ø plenum}/2) - (\text{Ø duct}/2) = Z1$

Ex.: Plenum Ø25", duct Ø12":
 $(25/2) - (12/2) = 1/4"$



Note for sockets
 Sockets exceeding L= 20" and with flat top allow for 1 row of suspension

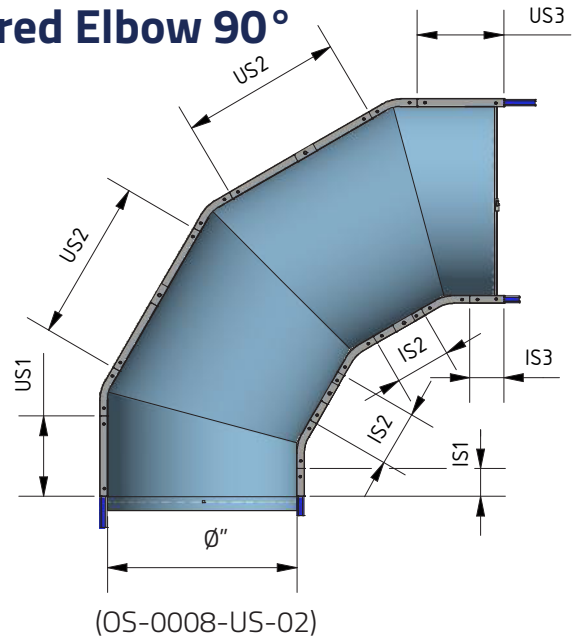
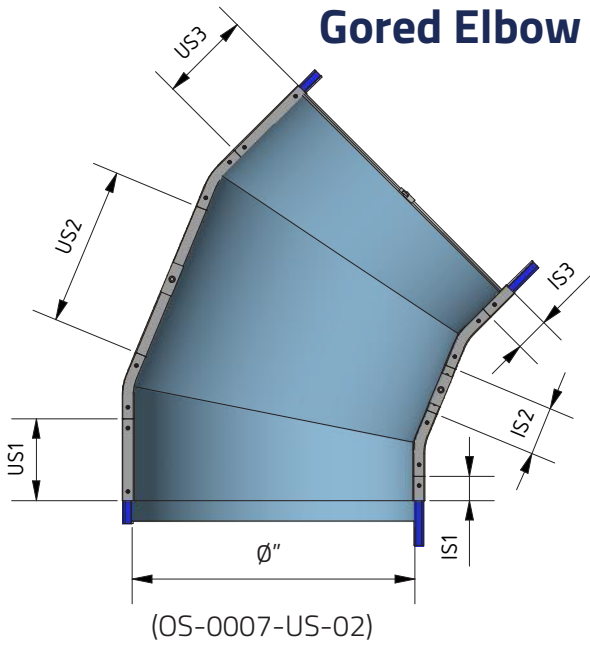


Suspension requires min. 4" space

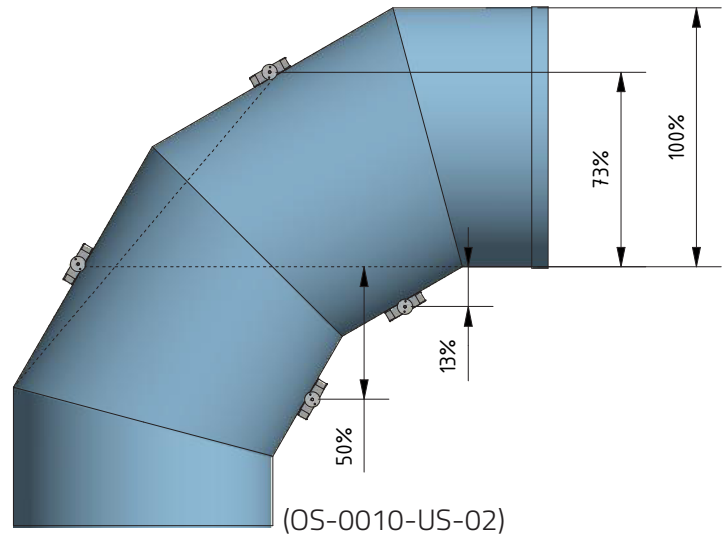
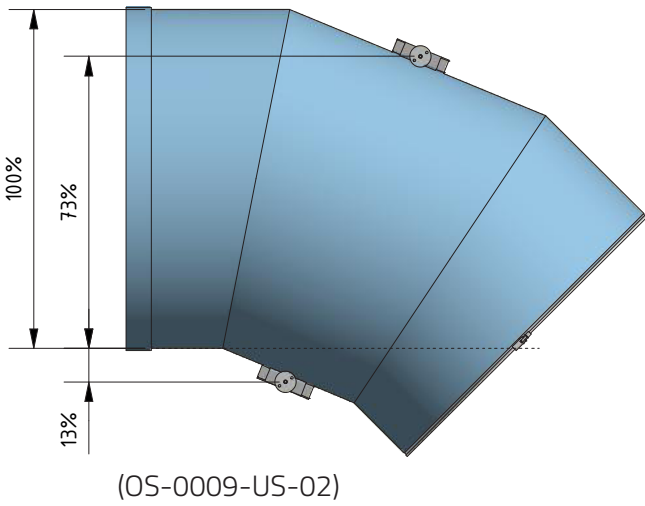
Safetrack Options, Double Track

AIR THE WAY YOU WANT

Gored Elbow 45° / Gored Elbow 90°



Gored Elbow 45° / Gored Elbow 90°



KE-Mitered Elbow 45° / KE-Mitered Elbow 90°

