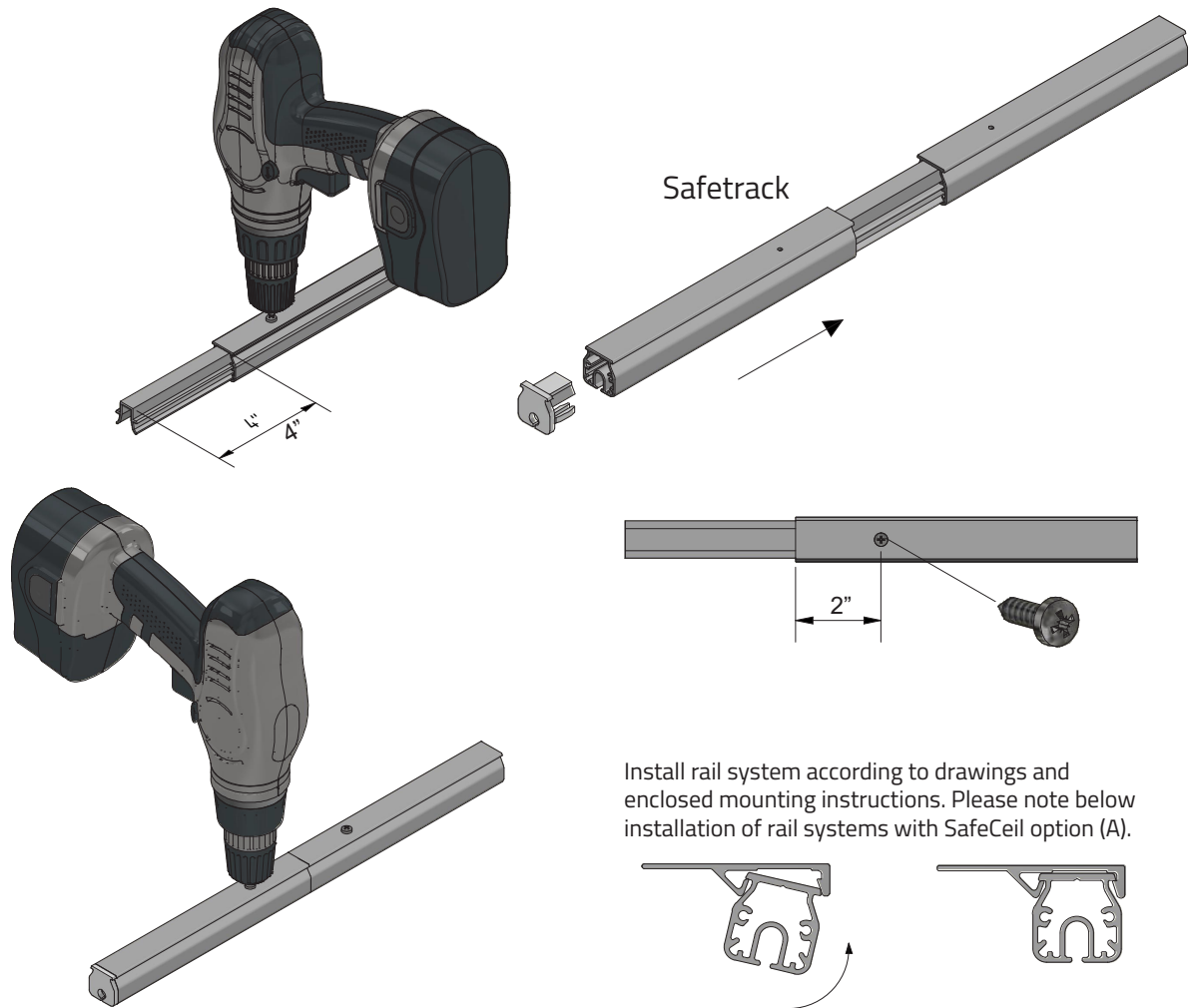


# Safetrack Suspension Options

OS-0004-US-04

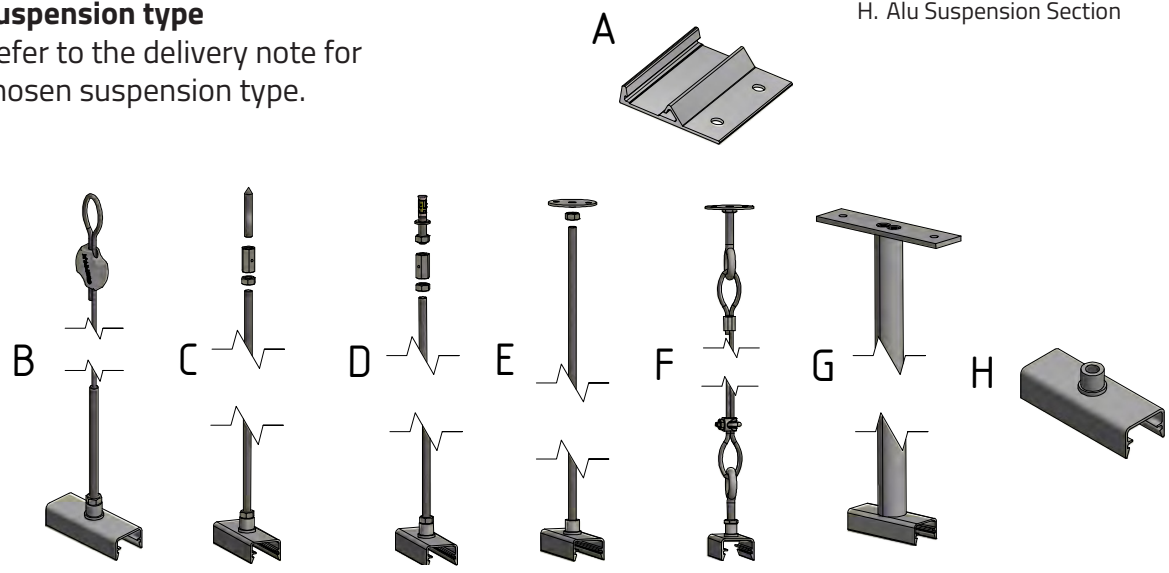


Install rail system according to drawings and enclosed mounting instructions. Please note below installation of rail systems with SafeCeil option (A).

- A. SafeCeil
- B. Gripper (M6)
- C. Wood screw (M6)
- D. Expansion bolt (M6)
- E. Thread flange (M6)
- F. Cable with eyebolt (M6)
- G. SafeStrapUp (M6)
- H. Alu Suspension Section

## Suspension type

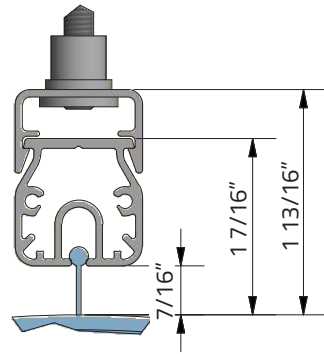
Refer to the delivery note for chosen suspension type.



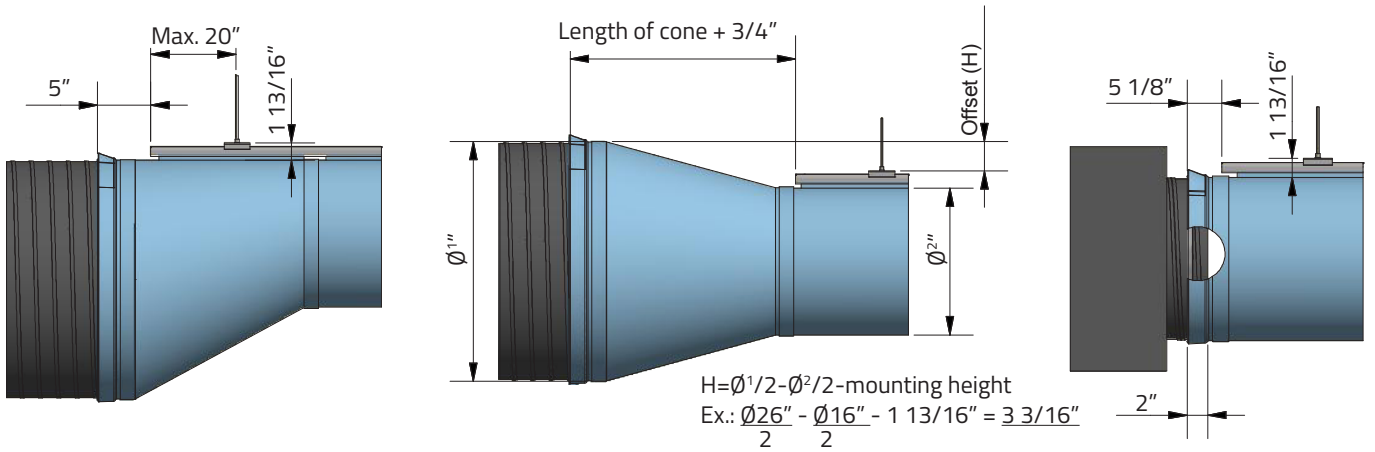
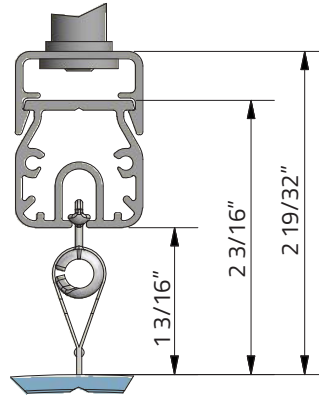
# Safetrack, Single Suspension

OS-0005-US-02

SafeBulb (12 o'clock)

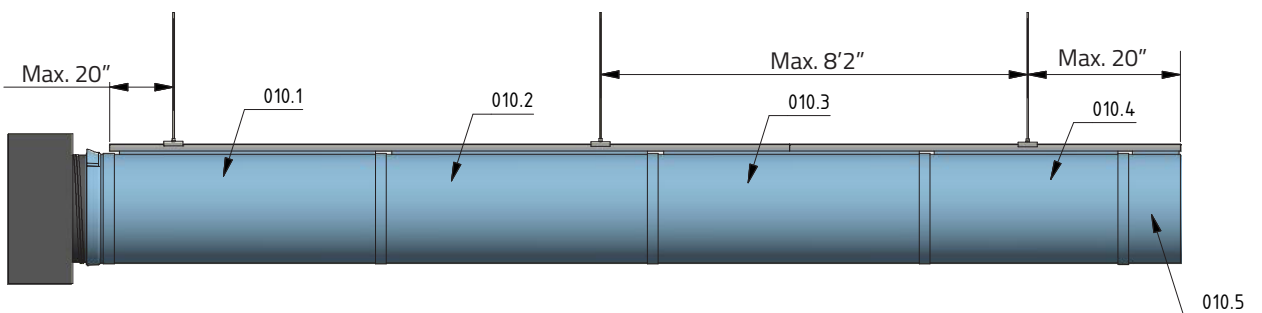
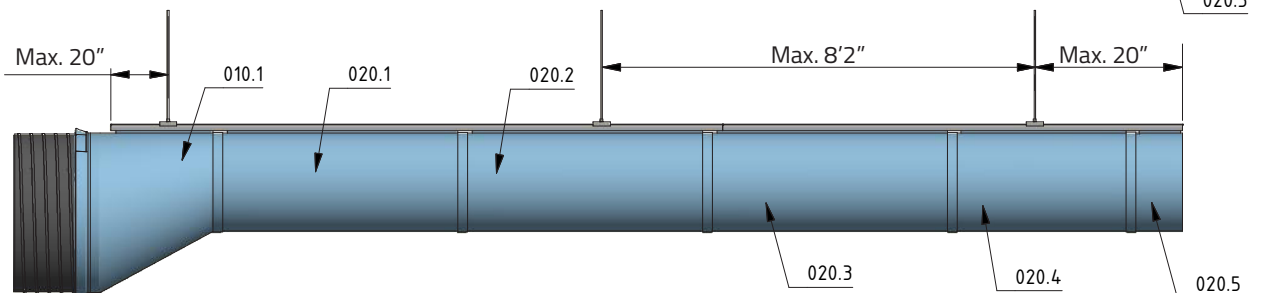
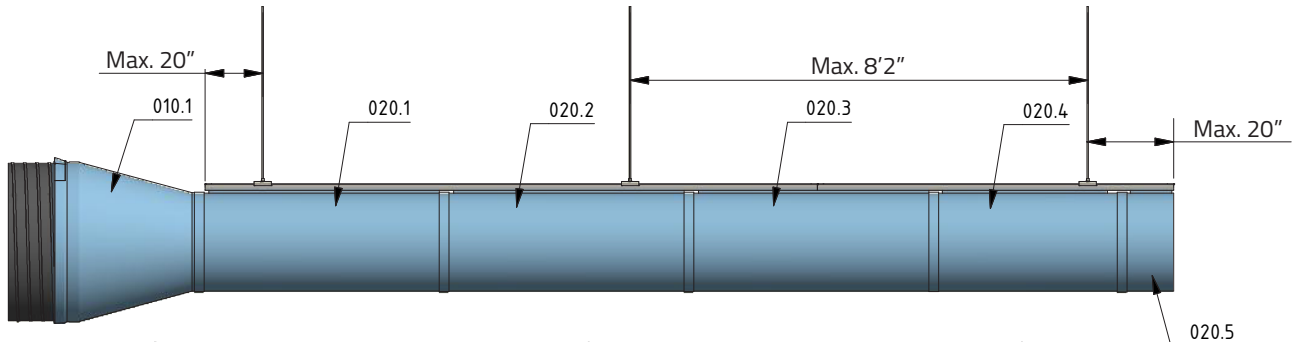


SafeSlider (12 o'clock)



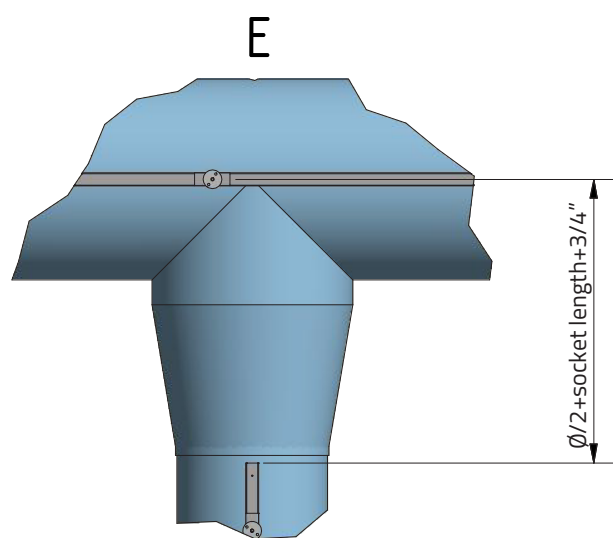
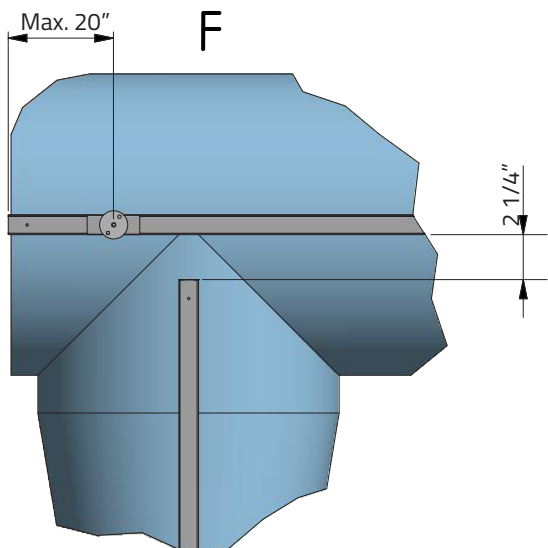
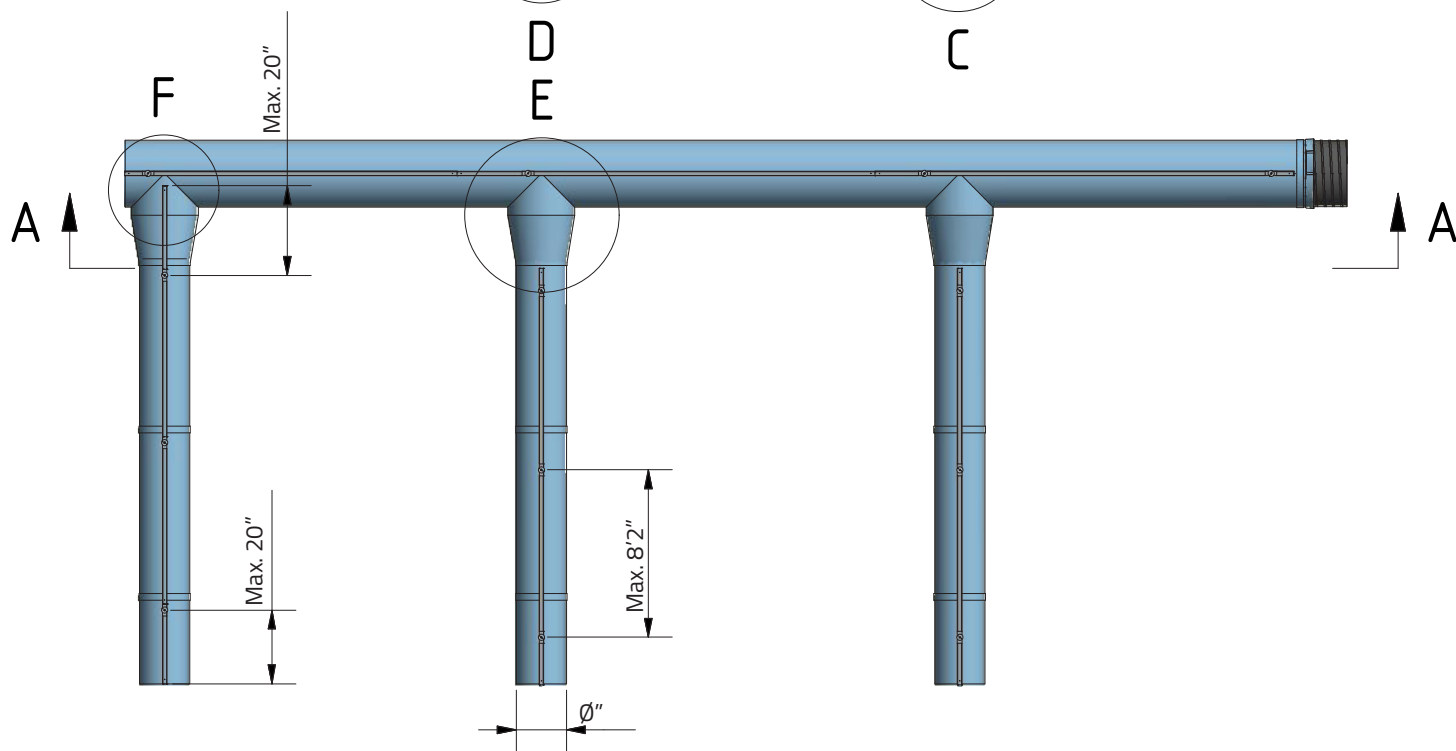
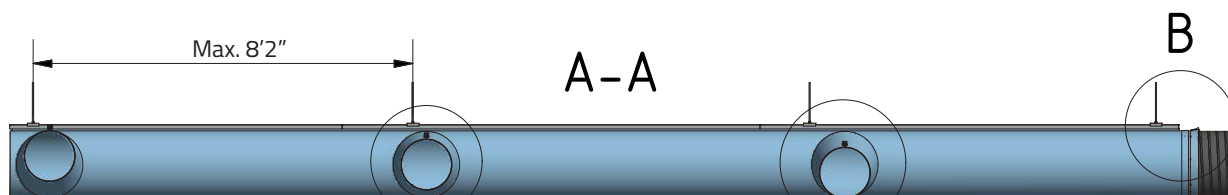
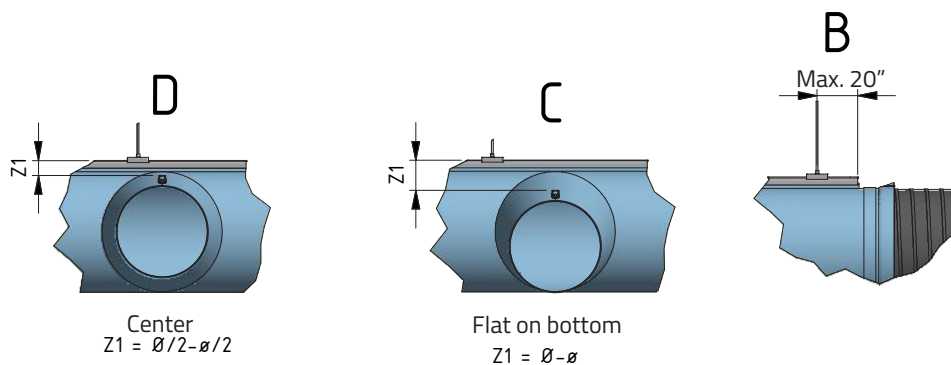
$$H = \frac{\phi^1/2 - \phi^2/2}{2} - \text{mounting height}$$

Ex.:  $\frac{\phi 26'' - \phi 16''}{2} - 1 \frac{13}{16}'' = 3 \frac{3}{16}''$



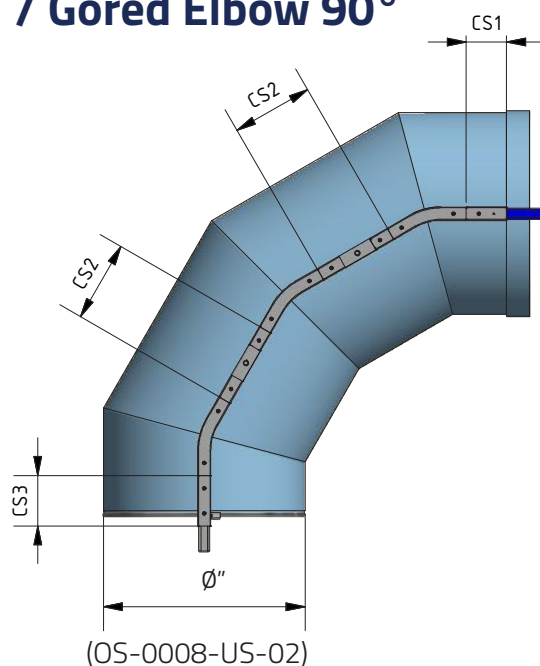
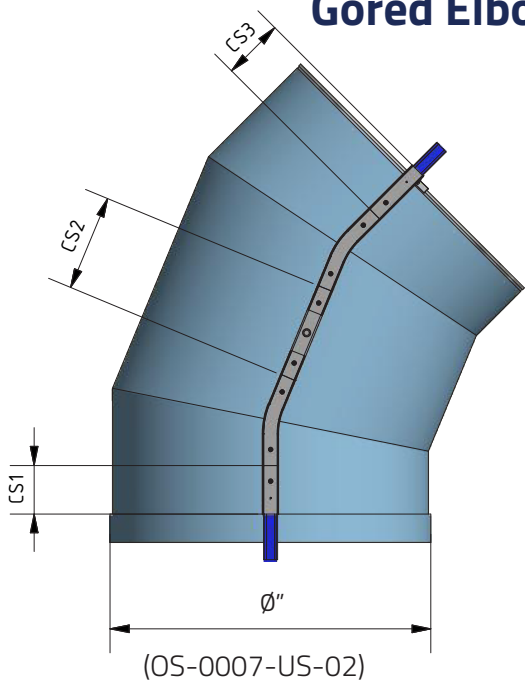
# Safetrack, Plenum, Single Suspension

OS-0006-US-02

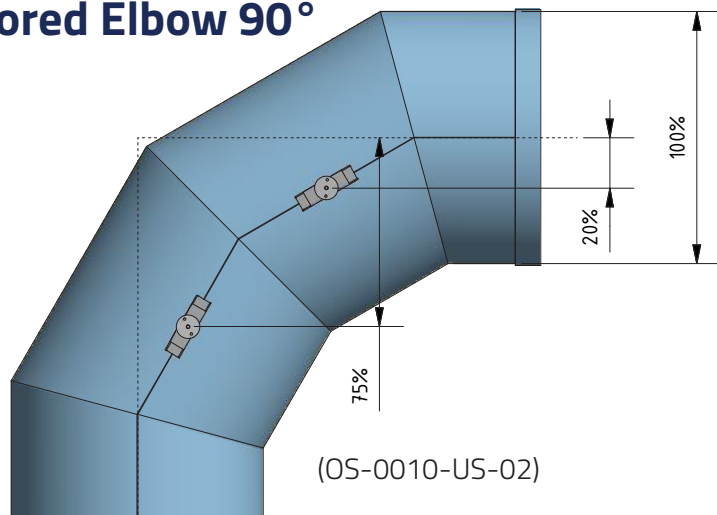
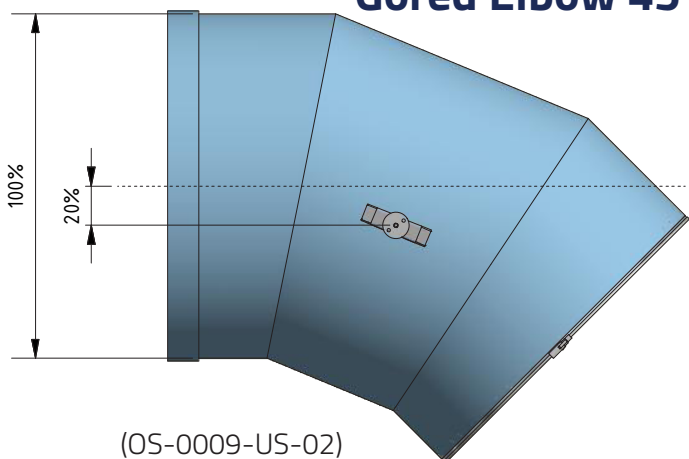


# Safetrack Options, Single Track

## Gored Elbow 45° / Gored Elbow 90°



## Gored Elbow 45° / Gored Elbow 90°



## KE-Mitered Elbow (random angle) / KE-Mitered Elbow 90°

