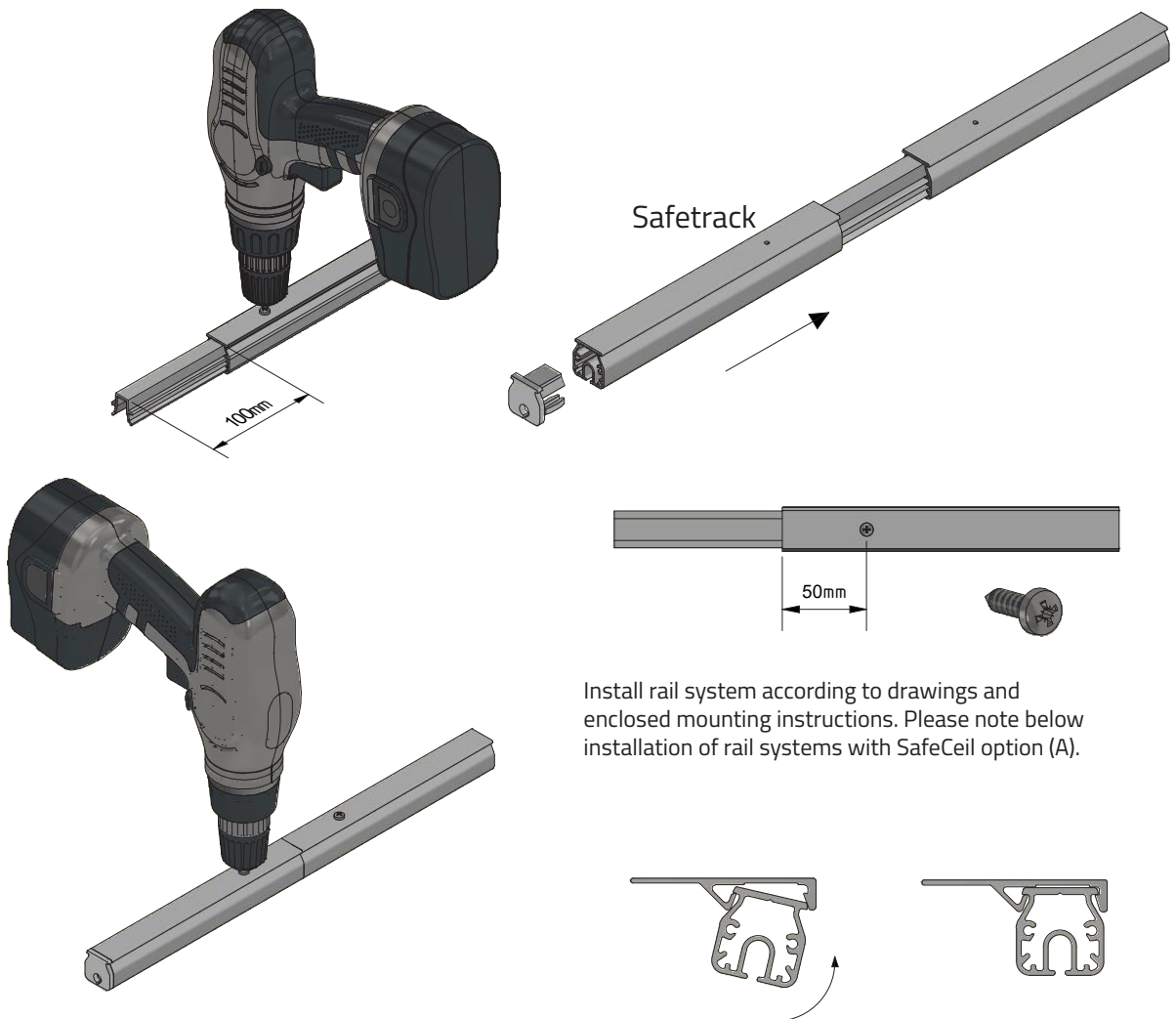


Safetrack Suspension Options

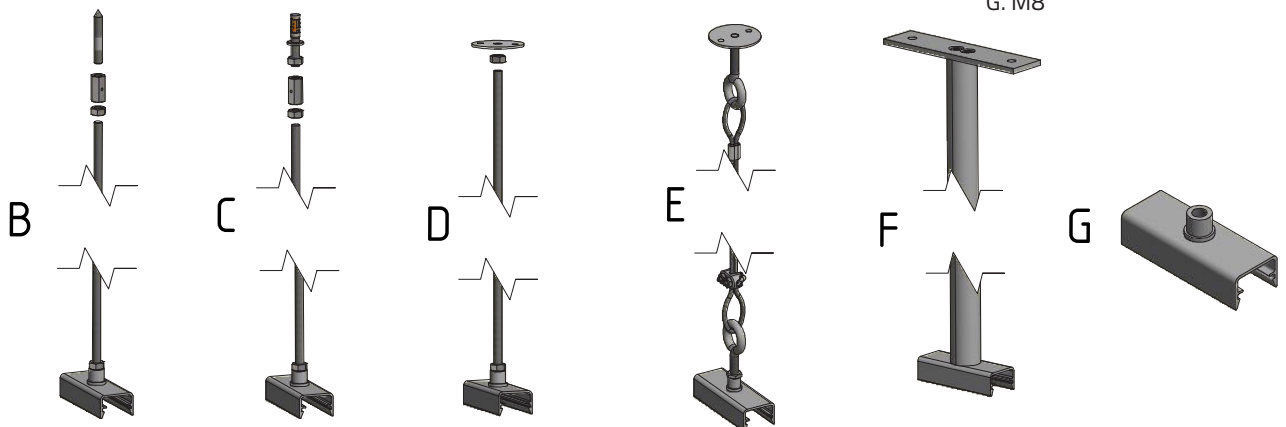
OS-0004-GB-03



Install rail system according to drawings and enclosed mounting instructions. Please note below installation of rail systems with SafeCeil option (A).

Suspension type

Refer to the delivery note for chosen suspension type.

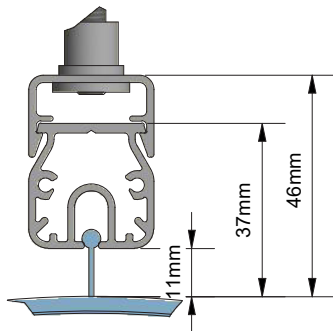


- A. SafeCeil
- B. Wood screw (M6)
- C. Expansion bolt (M6)
- D. M6 thread flange
- E. Wire with M6 eyebolt
- F. SafeStrapUp (M6)
- G. M8

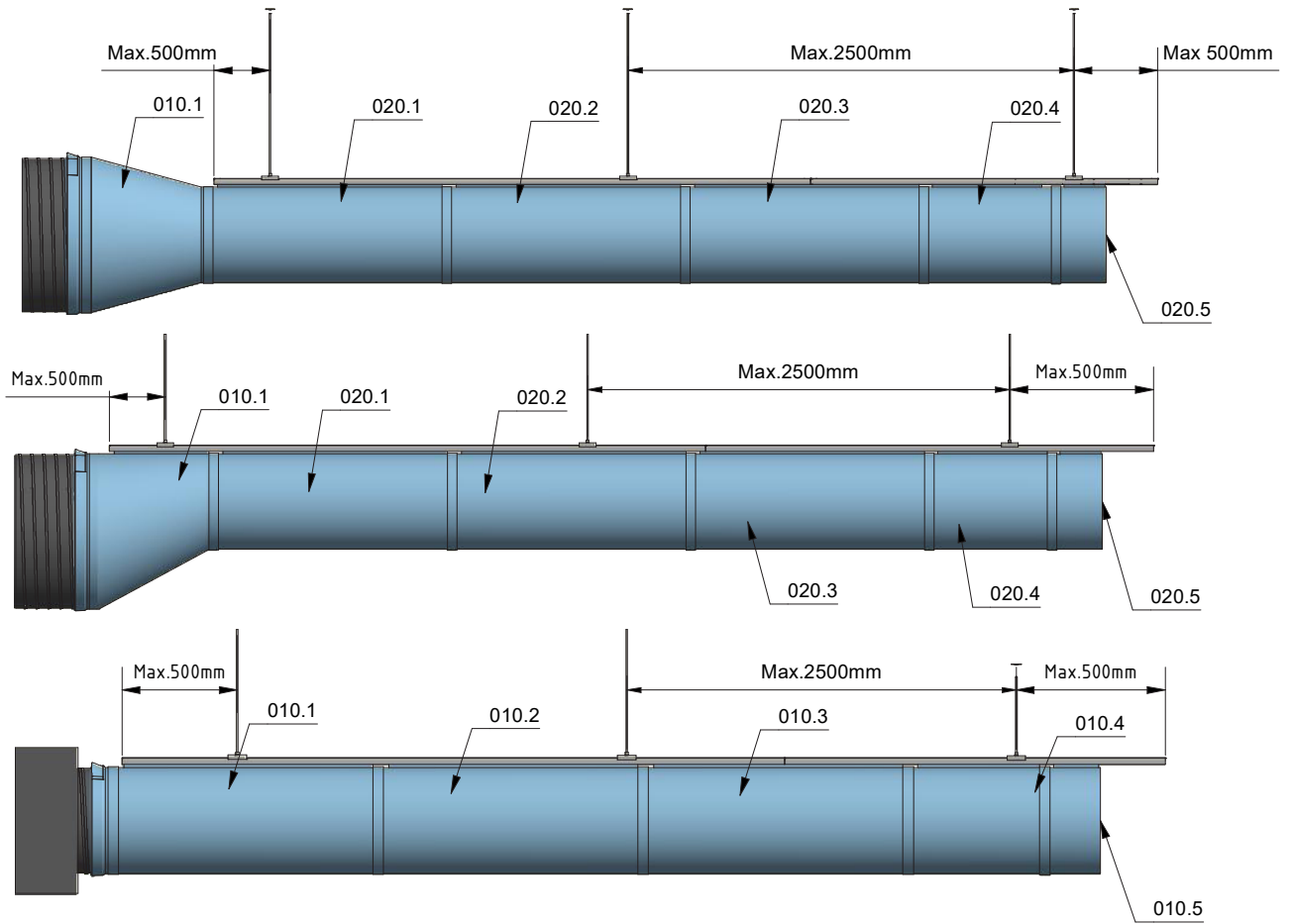
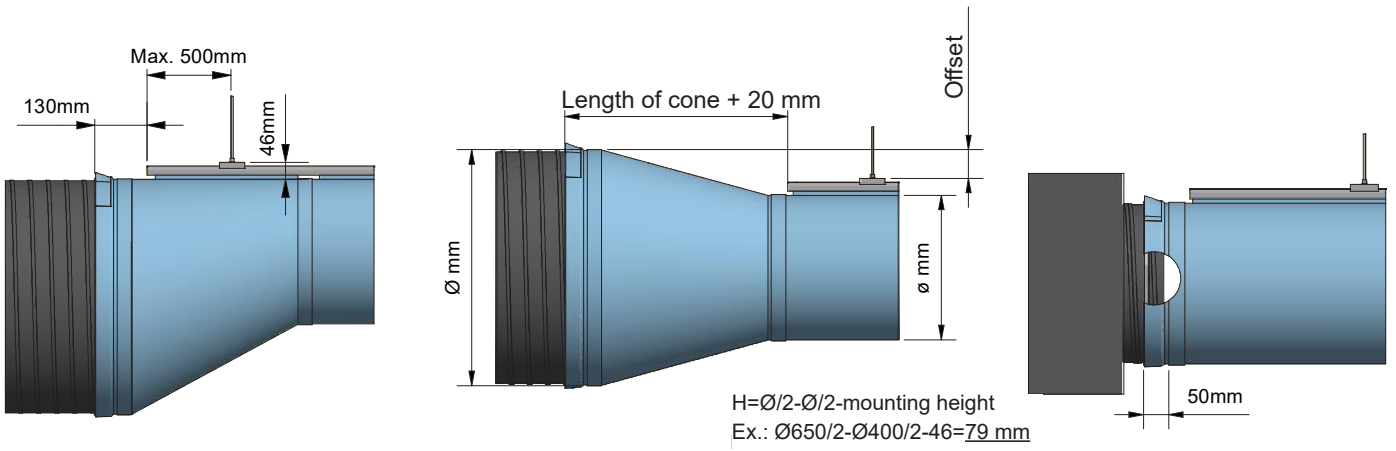
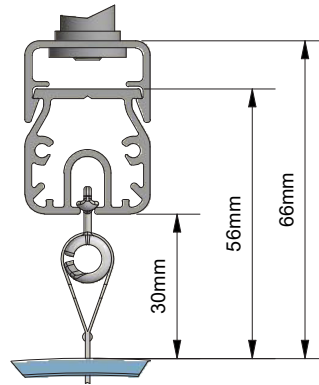
Safetrack, Single Suspension

OS-0005-GB-03

SafeBulb

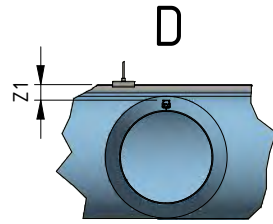


SafeSlider

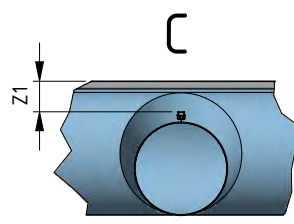


Safetrack, Plenum, Single Suspension

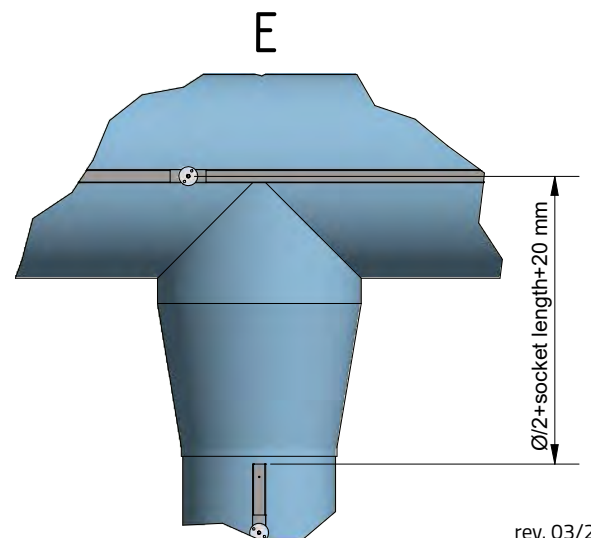
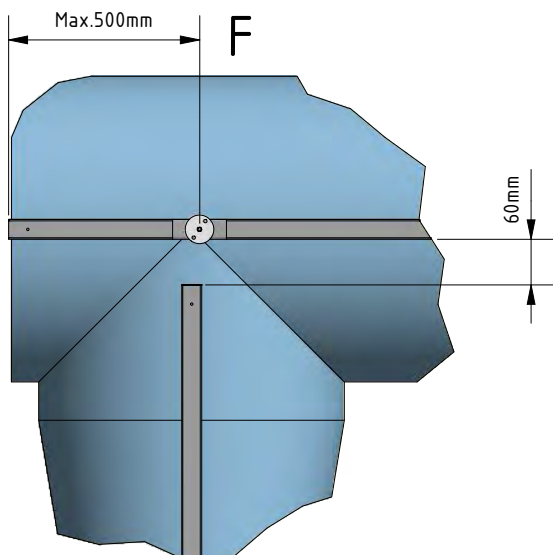
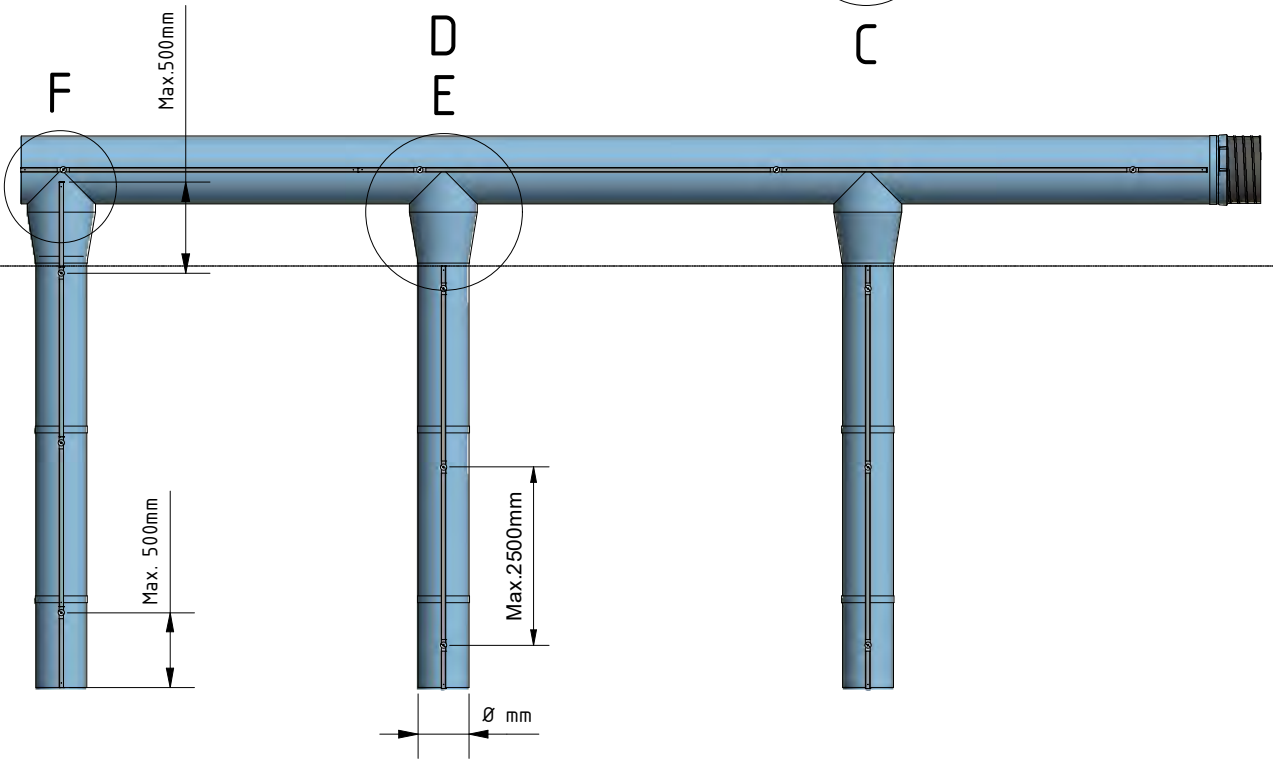
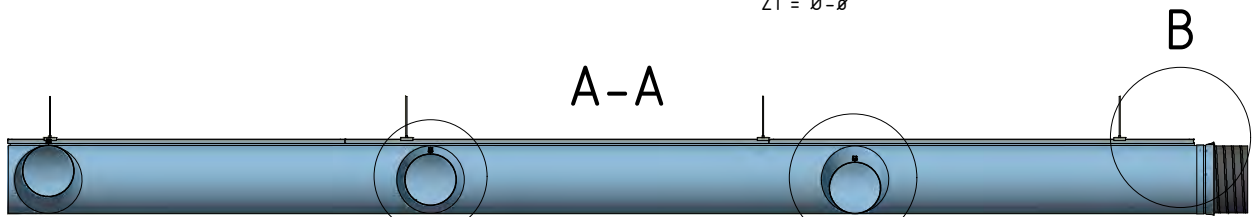
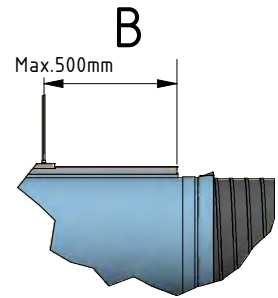
OS-0006-GB-03



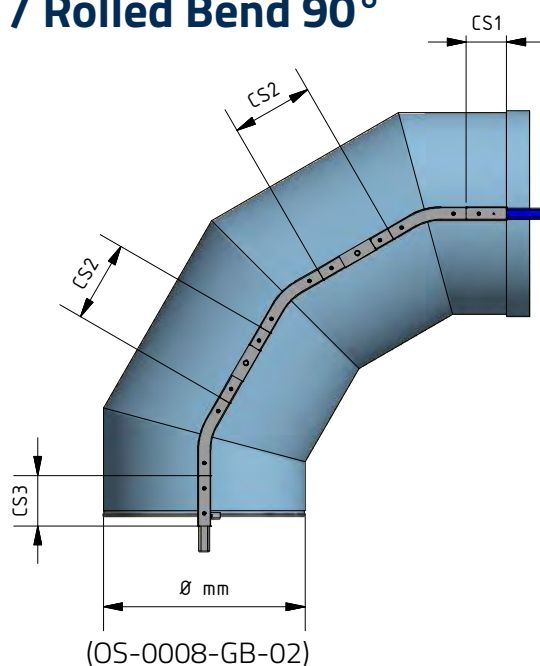
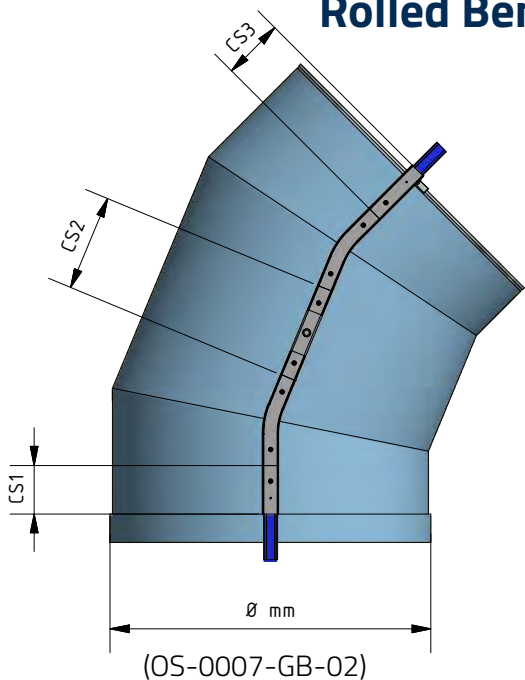
Centre
 $Z1 = \frac{\varnothing}{2} - \frac{\varnothing}{2}$



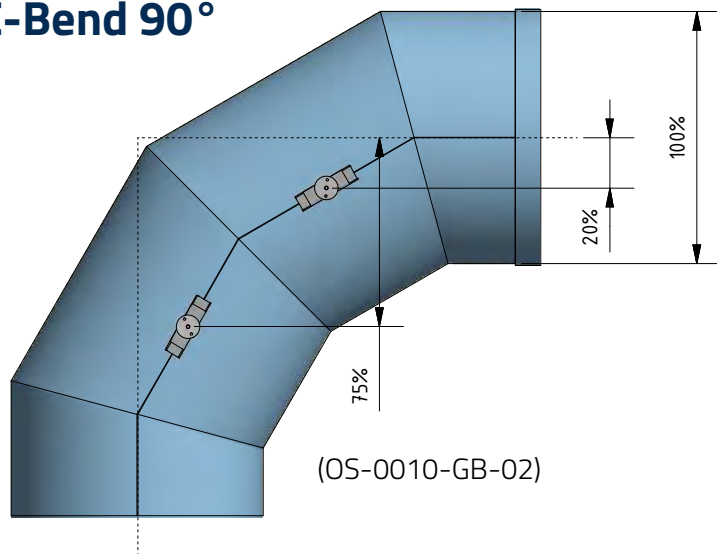
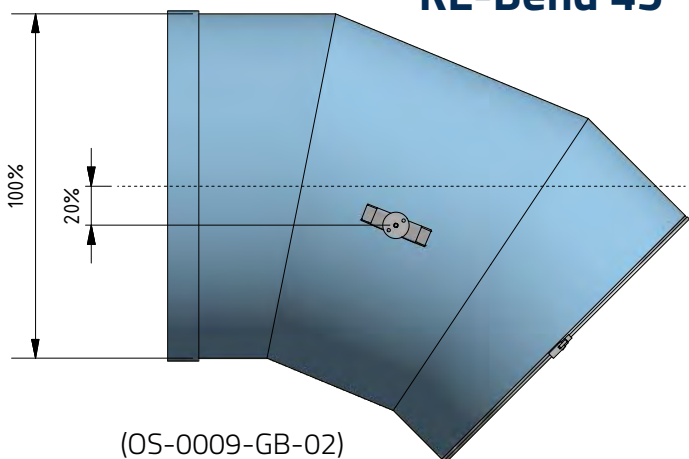
Flat on bottom
 $Z1 = \varnothing - \varnothing$



Rolled Bend 45° / Rolled Bend 90°



KE-Bend 45° / KE-Bend 90°



KE-Elbow (any angle) / KE-Elbow 90°

