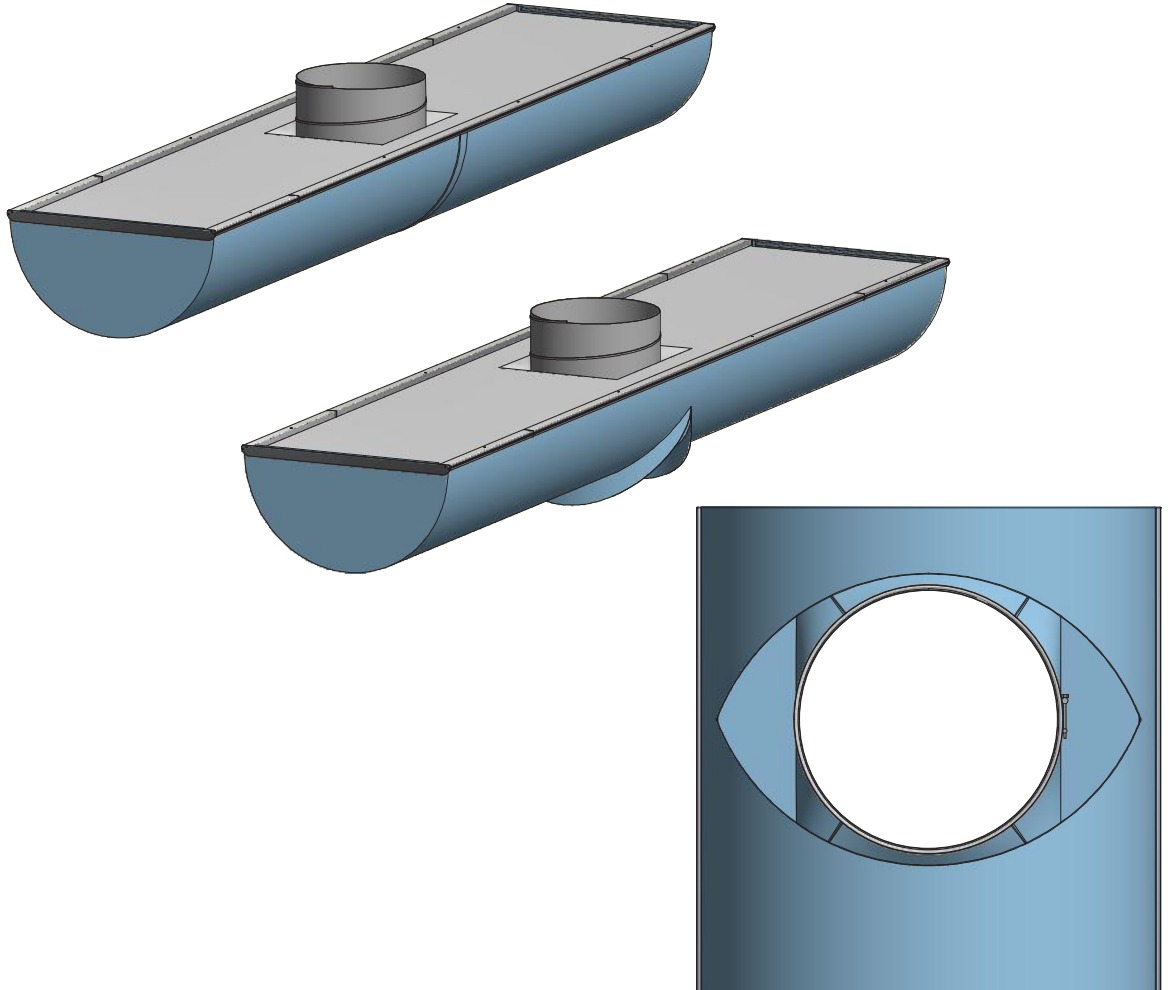


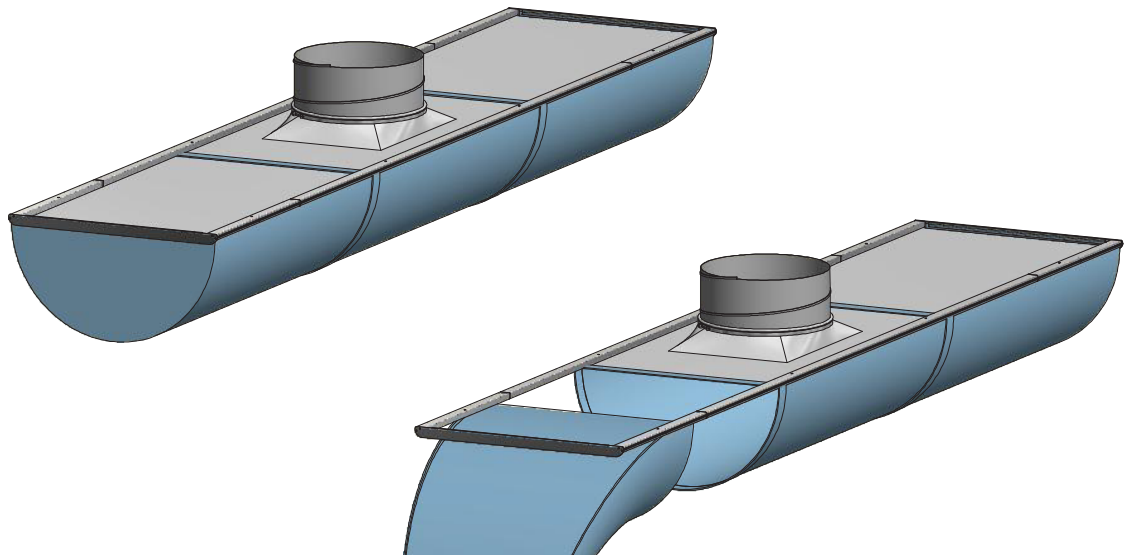
D-Lite Alu for KE-Interior System (Service Zipper)

DL-0009-GB-02

D-Lite Alu D-Duct with Service Zipper



D-Lite Alu D-Duct with Zipper

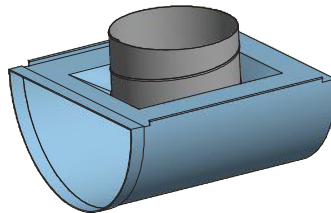


D-Lite Alu Suspension for KE-Interior System (KE-SRD)

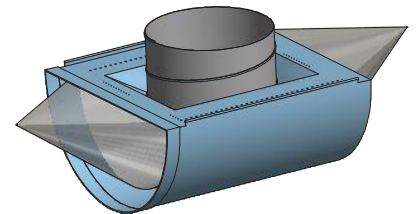
DL-0010-GB-02

Installation of T-SRD (top inlet)

The T-SRD is optional

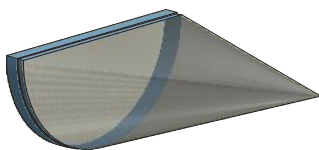


The T-SRD is fastened to the inside of the textile duct by means of velcro

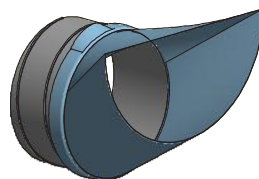
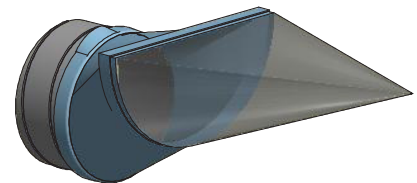


Installation of D-SRD (end inlet)

The D-SRD is optional

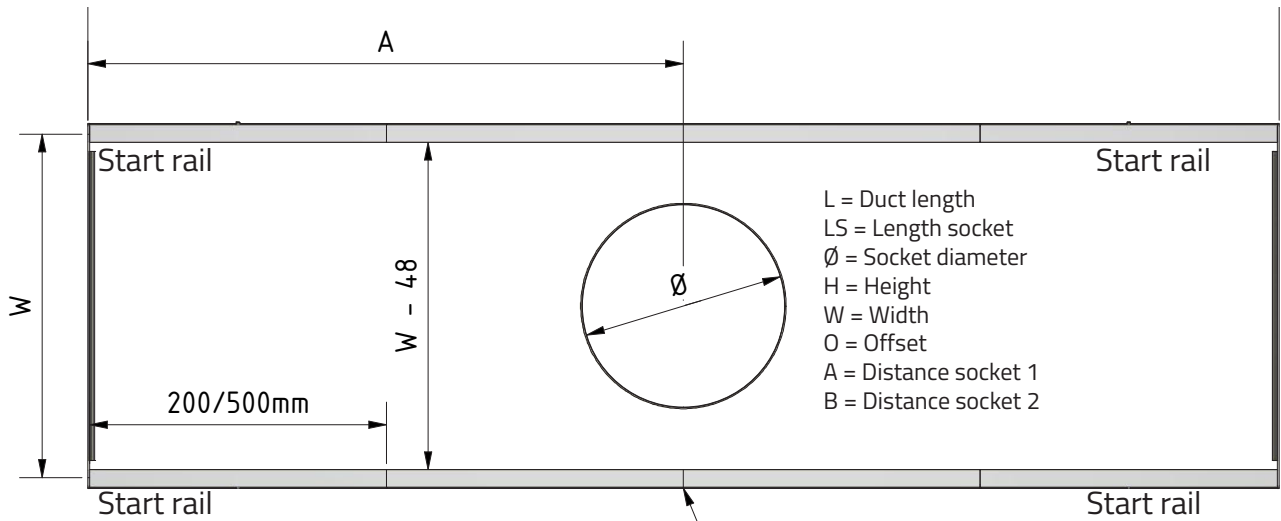


The D-SRD and D duct are joined by means of zipper

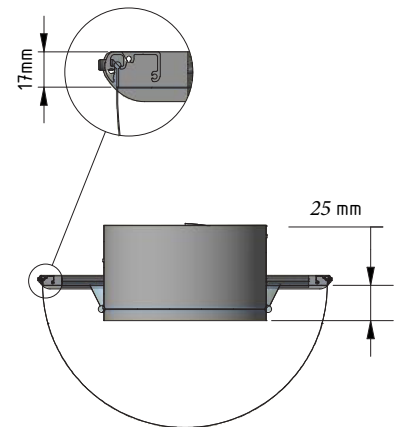
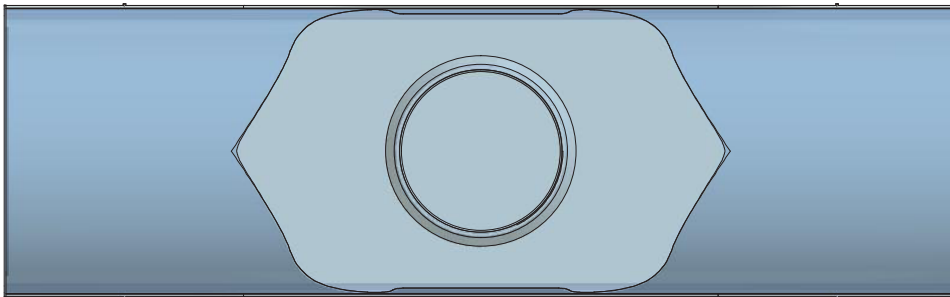
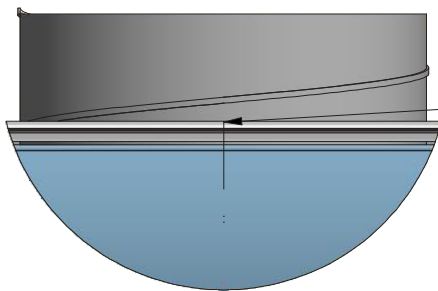


D-Lite Alu for KE-Interior System (Inlet socket with spring lock)

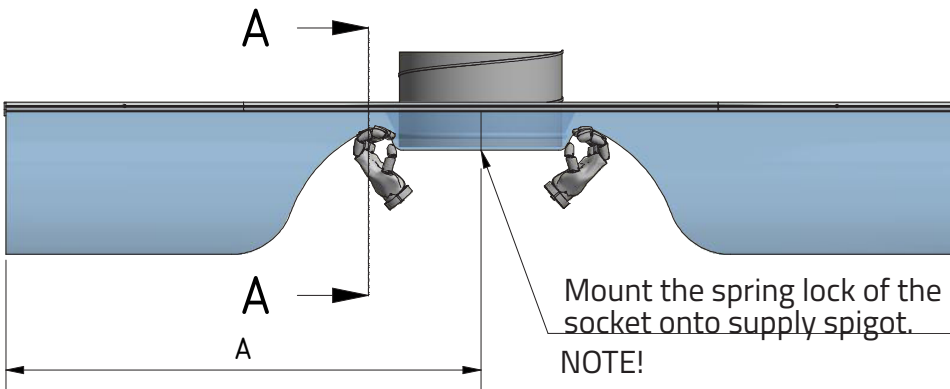
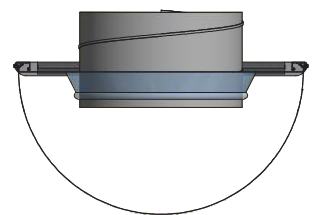
DL-0011-GB-02



Mark the A measurement on the rail so that it is clear where the nozzle is located after the duct has been mounted in the rails.



A-A



Mount the spring lock of the inlet socket onto supply spigot.

NOTE!

Remember to wear gloves or wash your hands prior to installation.