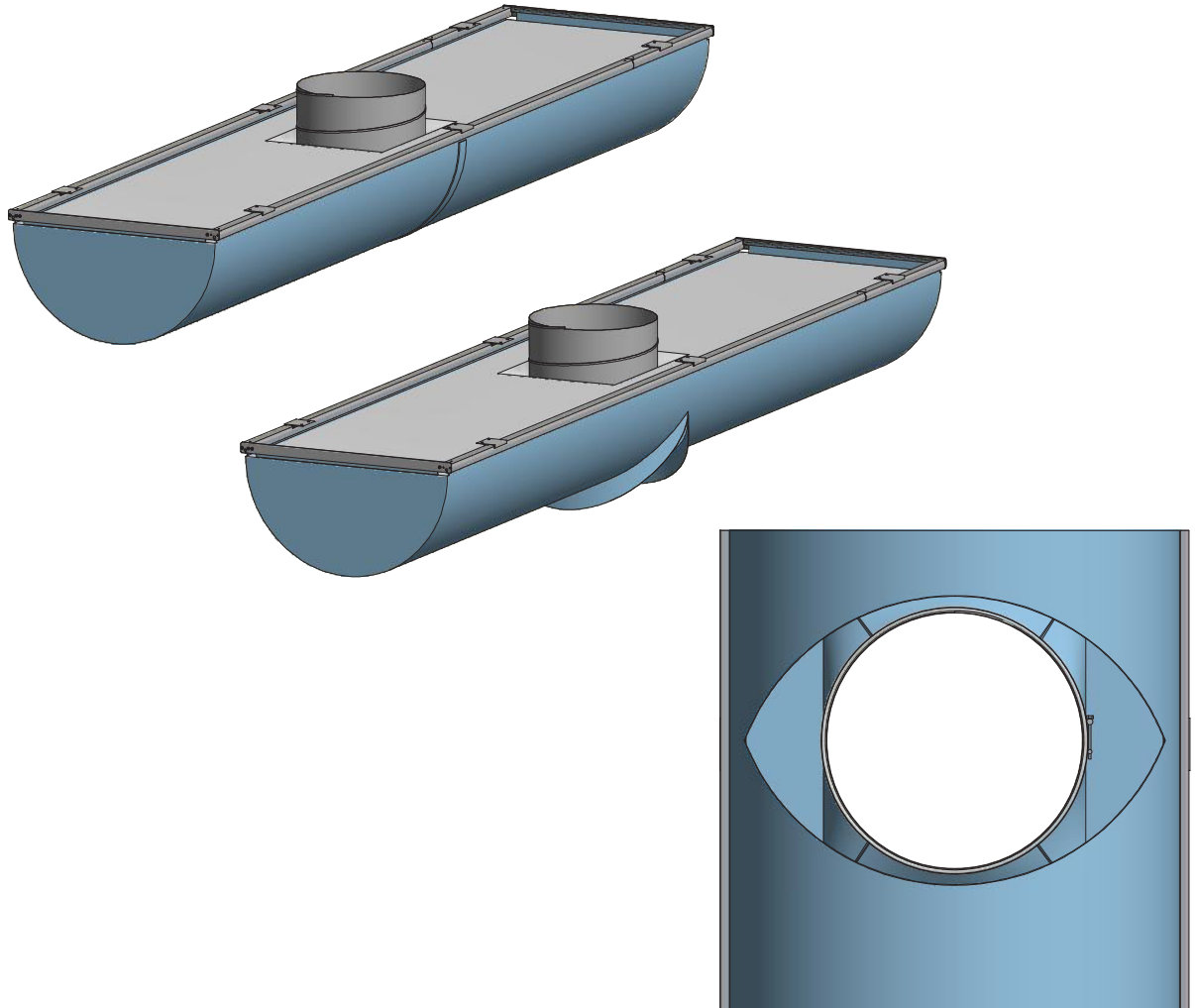


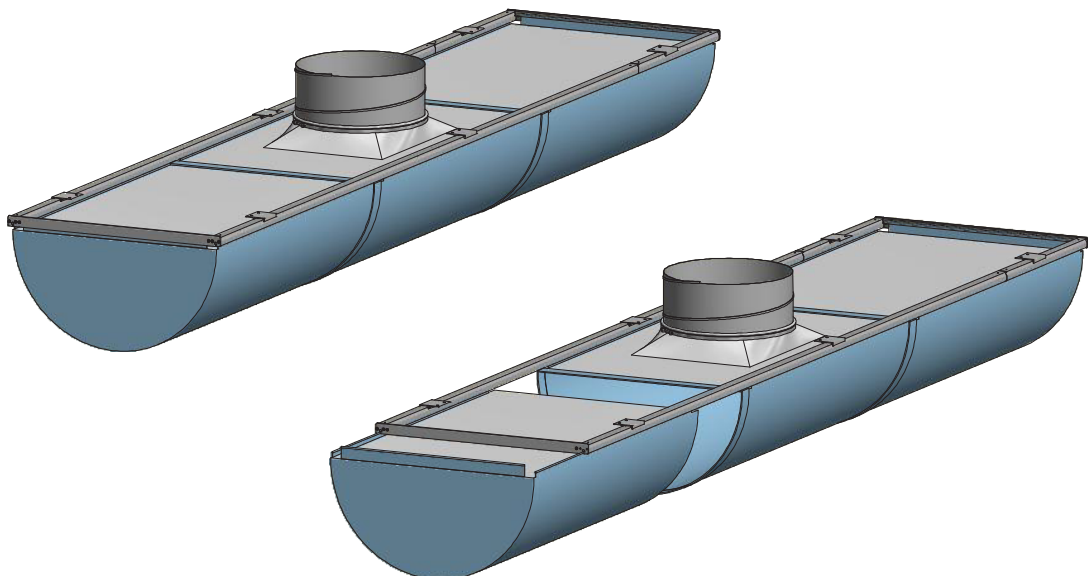
D-Safetrack for KE-Interior System (Service Zipper)

DS-0010-GB-02

Safetrack D-Duct with Service Zipper



Safetrack D-Duct with Zipper

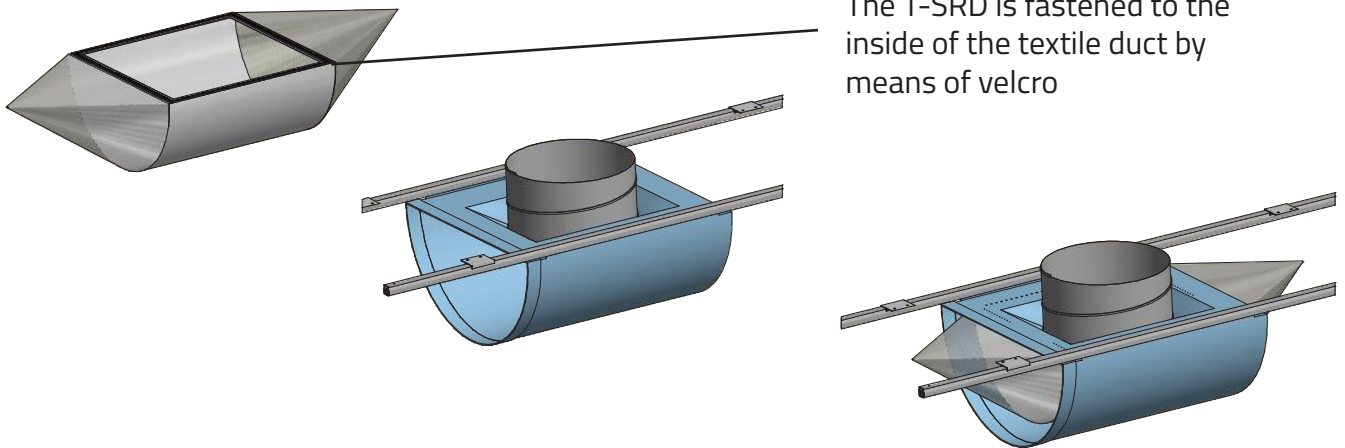


D-Safetrack for KE-Interior System (KE-SRD)

DS-0011-GB-02

Installation of T-SRD (top inlet)

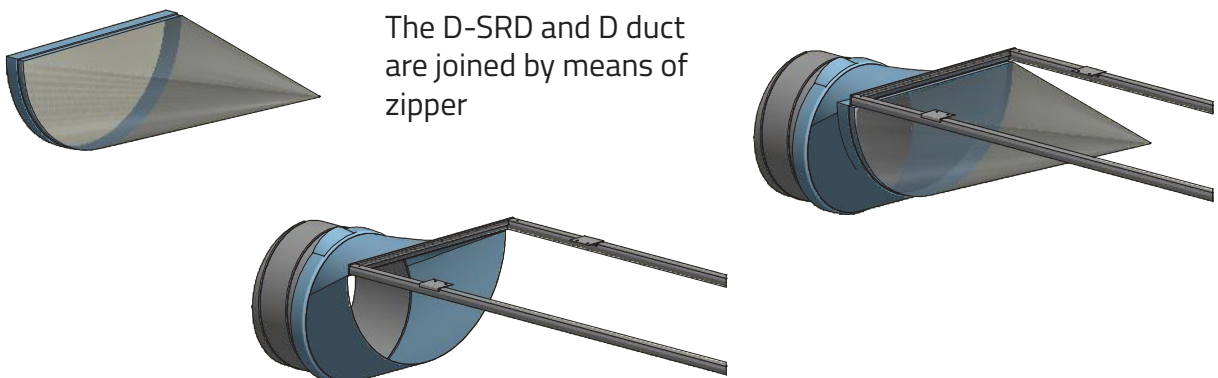
The T-SRD is optional



The T-SRD is fastened to the inside of the textile duct by means of velcro

Installation of D-SRD (end inlet)

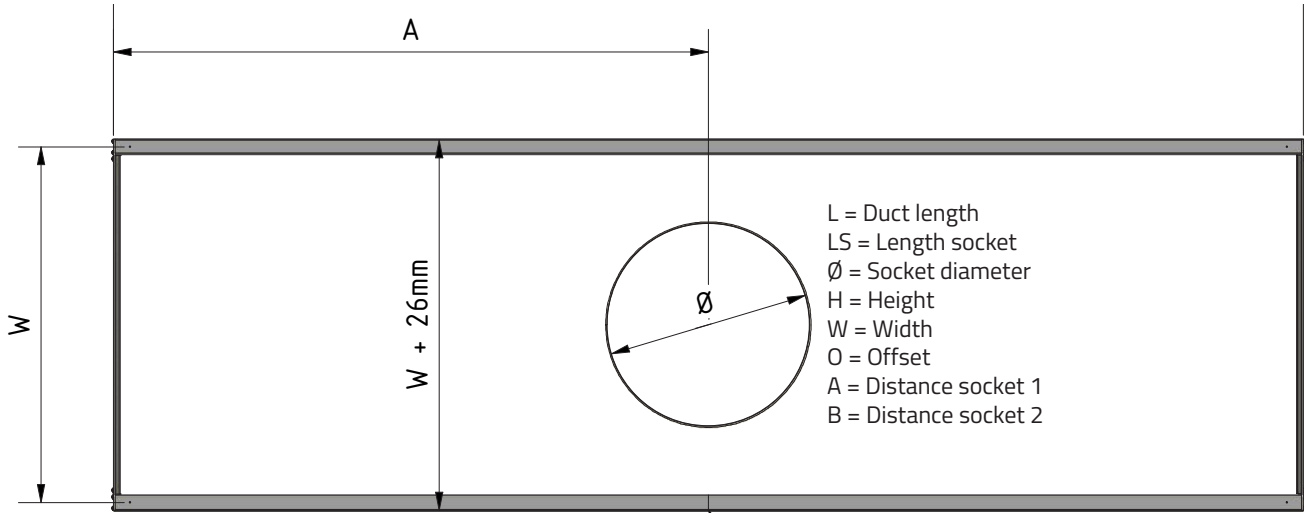
The D-SRD is optional



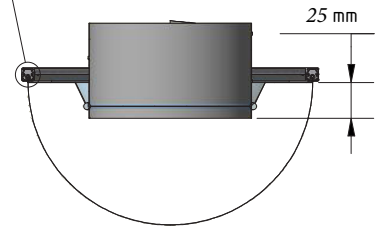
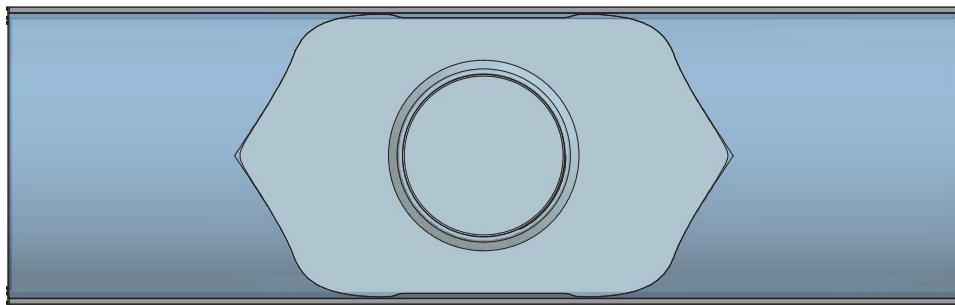
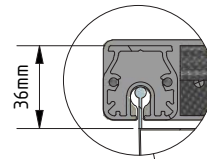
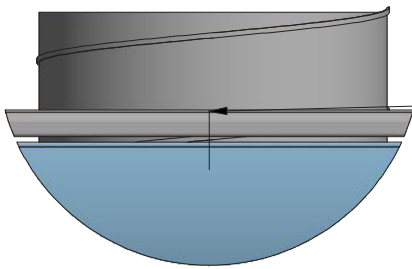
The D-SRD and D duct are joined by means of zipper

D-Safetrack for KE-Interior System (Inlet socket with spring lock)

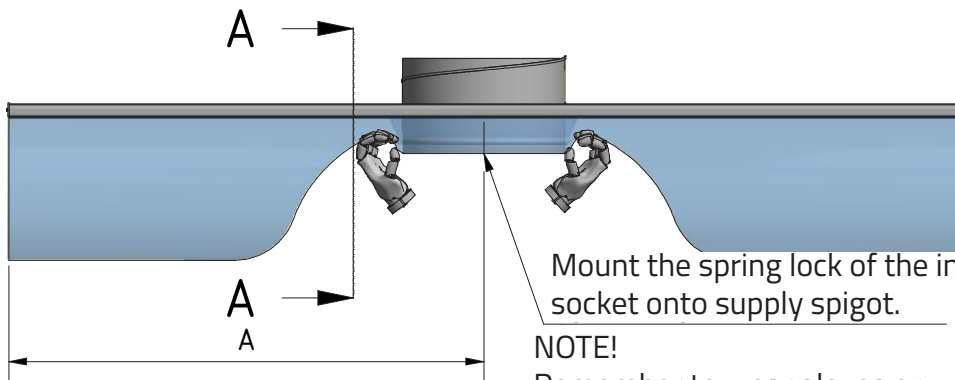
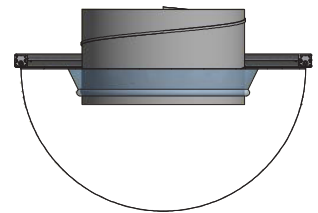
DS-0012-GB-02



Mark the A measurement on the rail so that it is clear where the nozzle is located after the duct has been mounted in the rails.



A-A



NOTE!
Remember to wear gloves or wash your hands prior to installation.