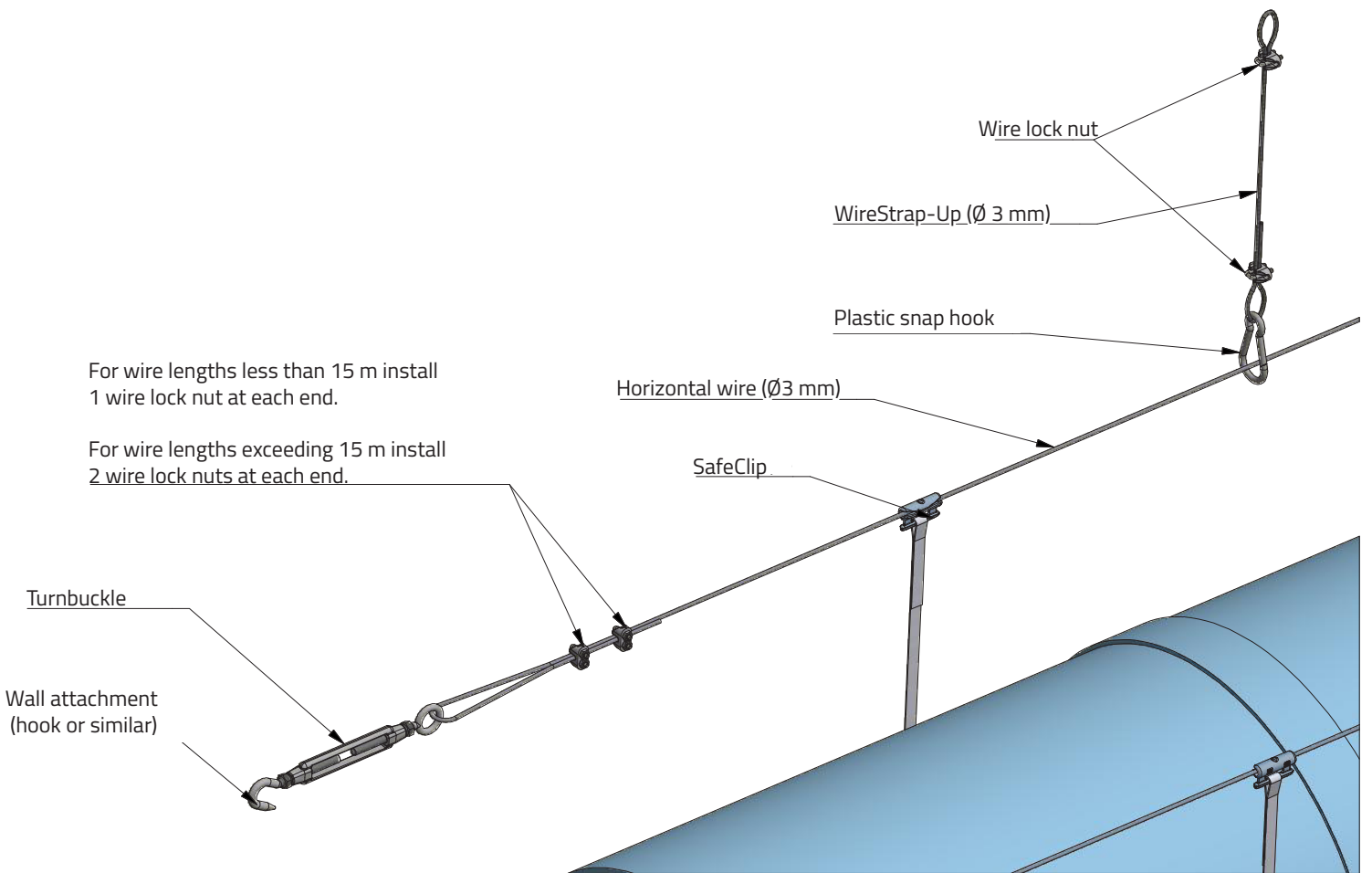
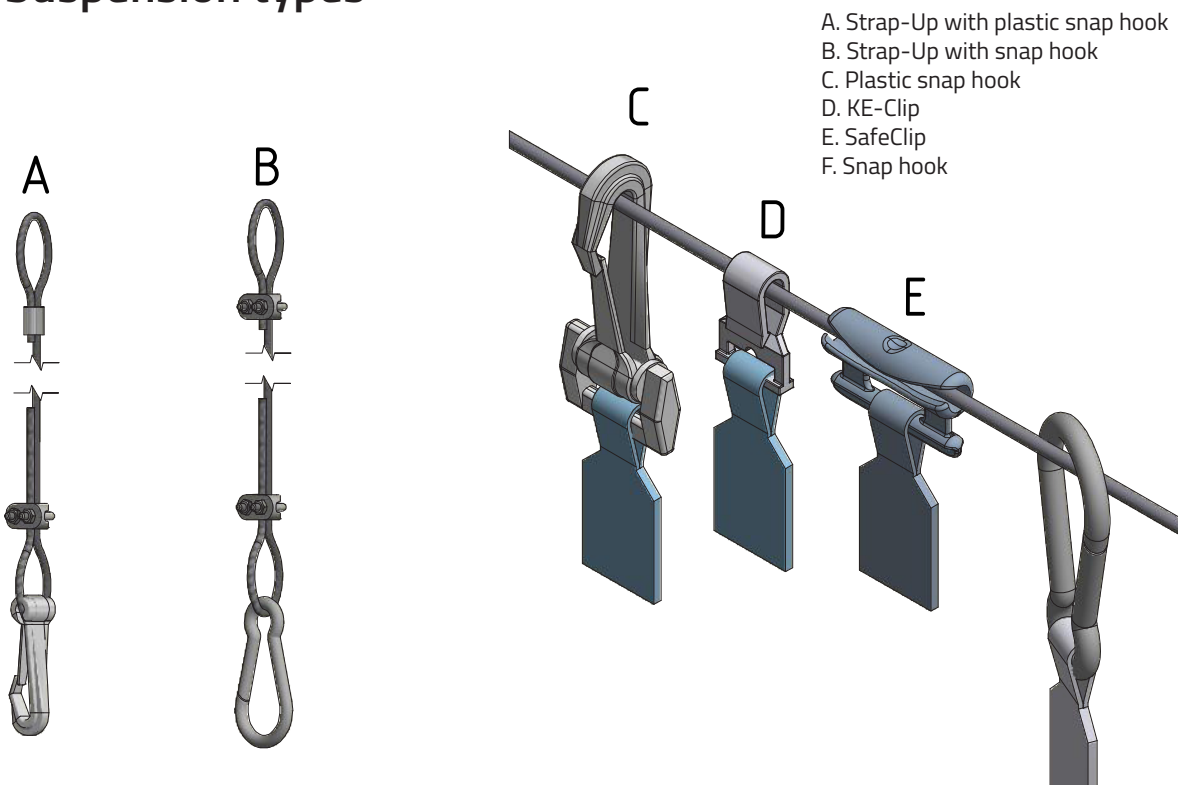


Wire Suspension, Double

WO-0003-GB-02

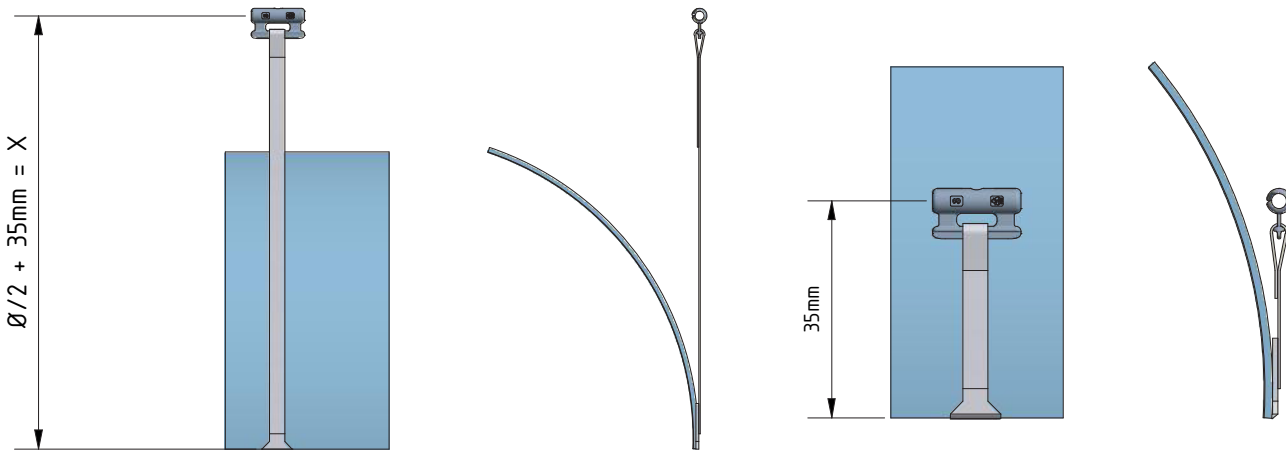


Suspension types

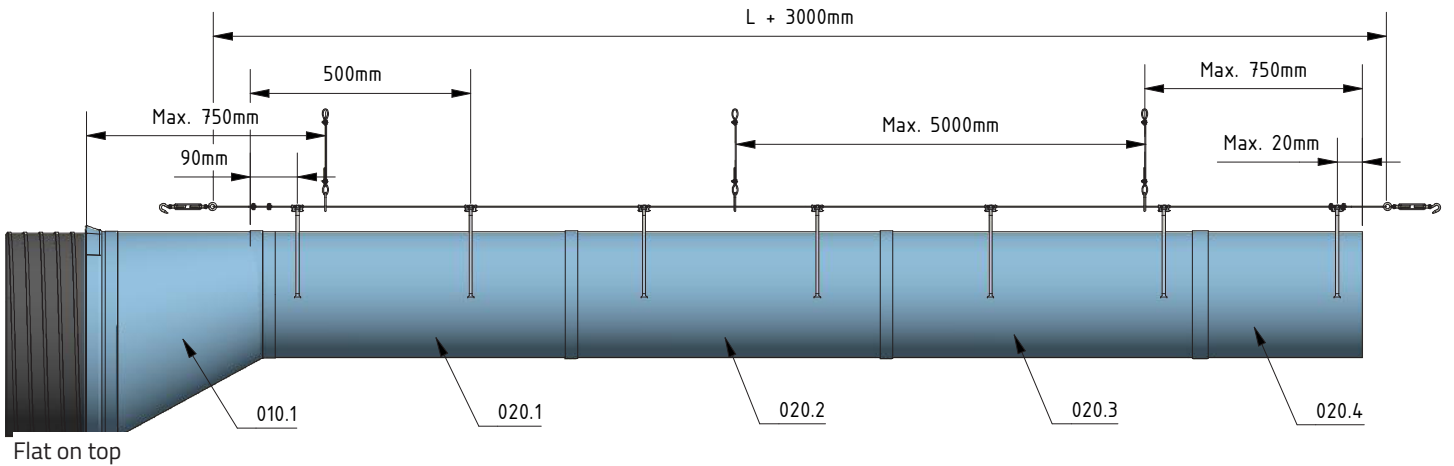
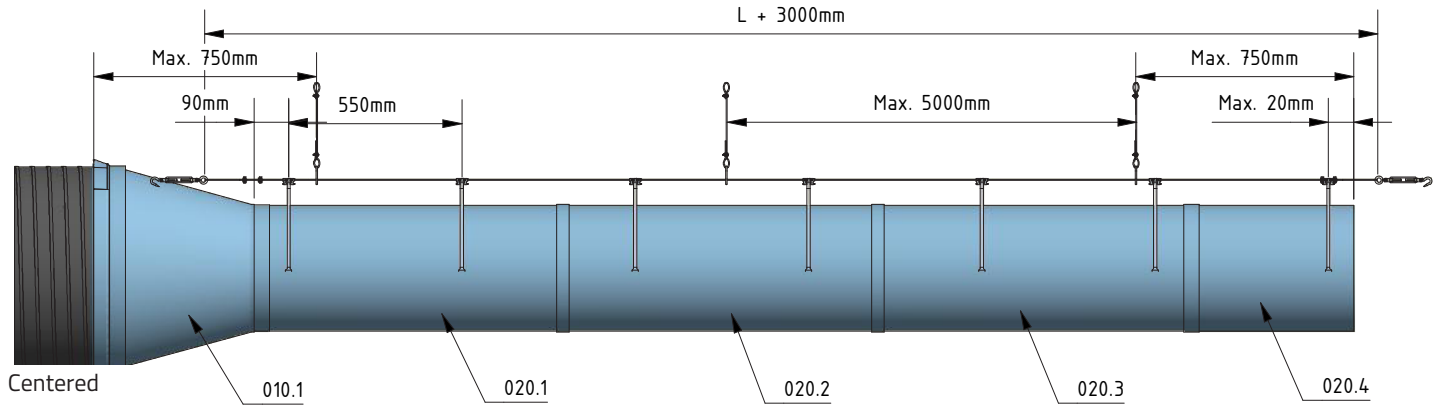


Wire Suspension, Double (Straight Duct)

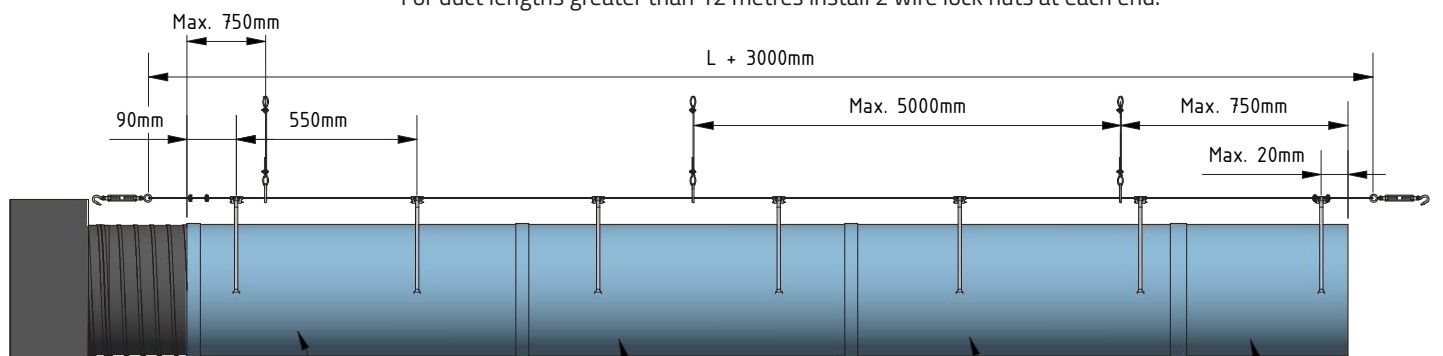
WO-0004-GB-02



Mount horizontal wires. Apply tension of max. 20 kg and then tighten wire locknut. A turnbuckle turned from fully open to fully tensioned will shorten the wire by approx. 80 mm. For wire lengths greater than 15 metres we recommend a turnbuckle at each end.

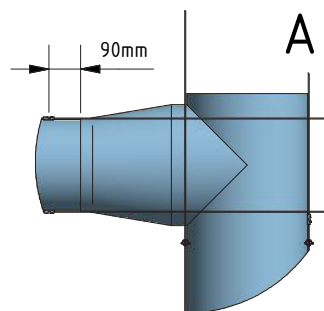
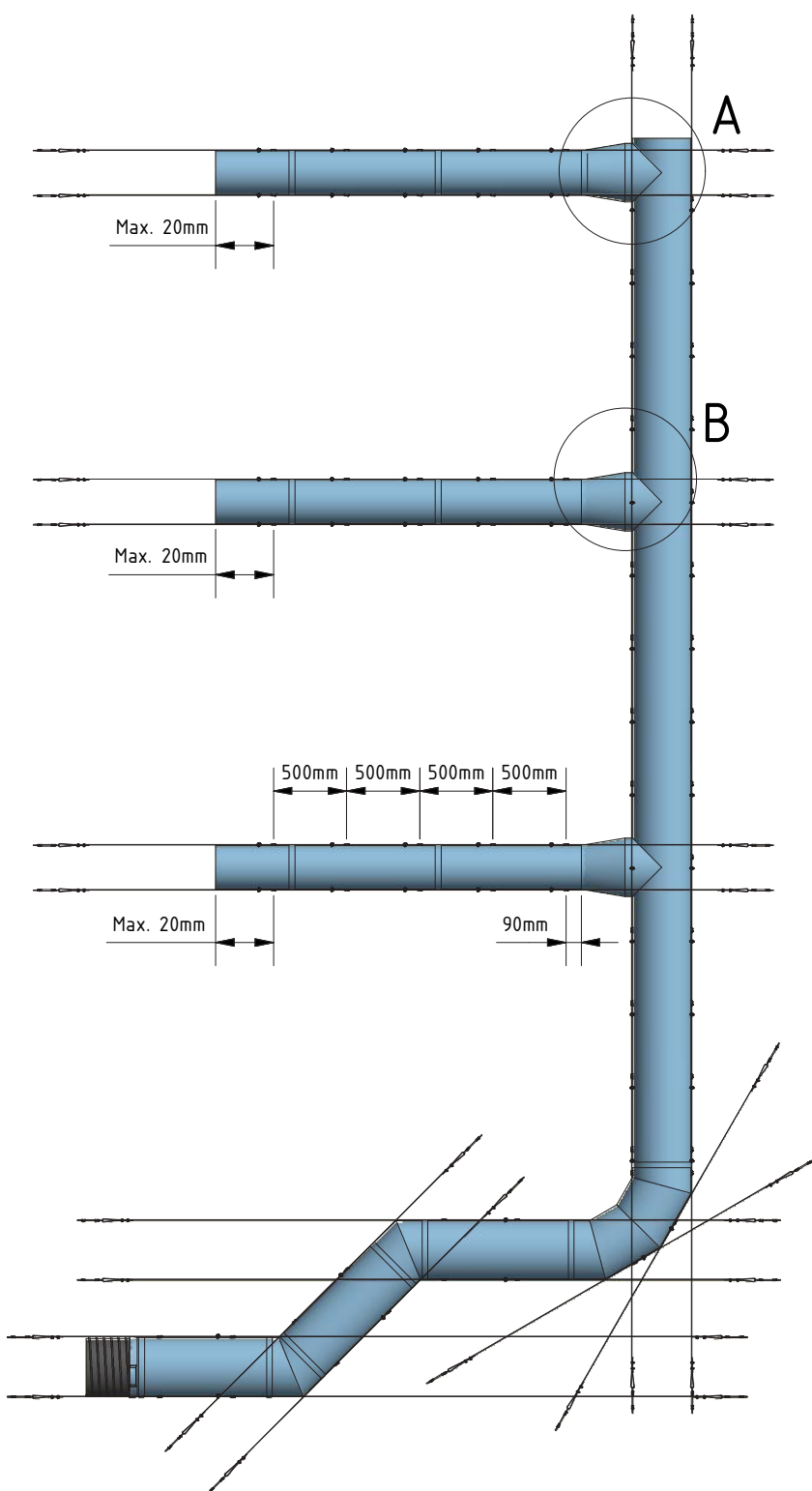
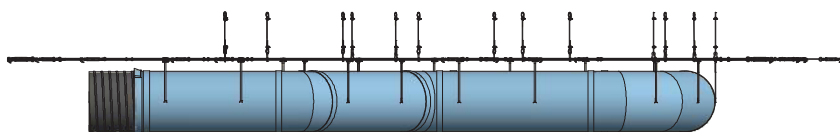


For duct lengths up to 12 metres install 1 wire lock nut at each end.
For duct lengths greater than 12 metres install 2 wire lock nuts at each end.

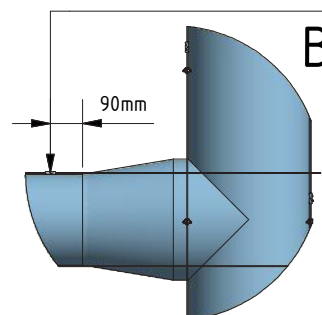


Wire Suspension, Double (Plenum)

WO-0005-GB-02



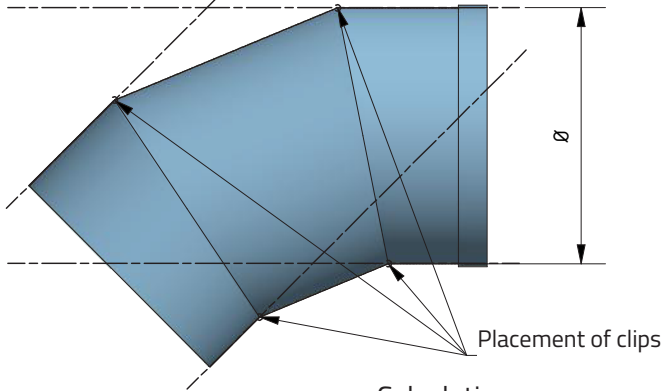
After a socket an additional strap must be placed 90 mm from the internal zipper.



Wire Options, Double row suspension

KE-Bend 45° / KE-Bend 90°

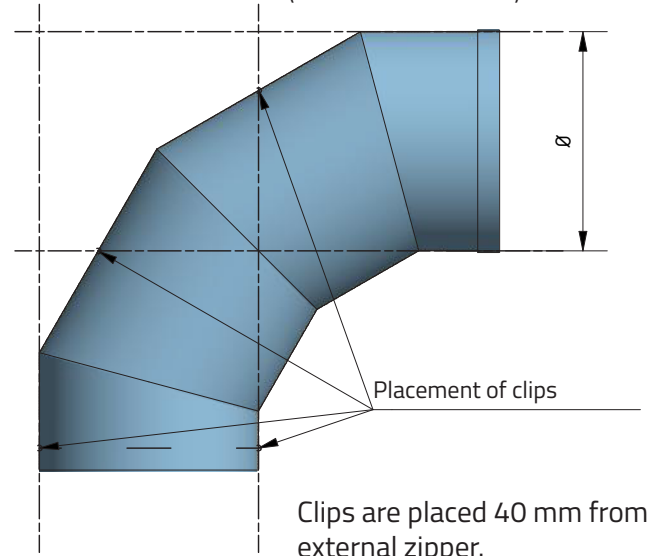
(WO-0006-GB-02)



Calculation:
 $\frac{\text{Ø}}{2} + \text{Clip height} = X \text{ mm}$
 Ex.: $\frac{400}{2} + 35 = 235 \text{ mm}$

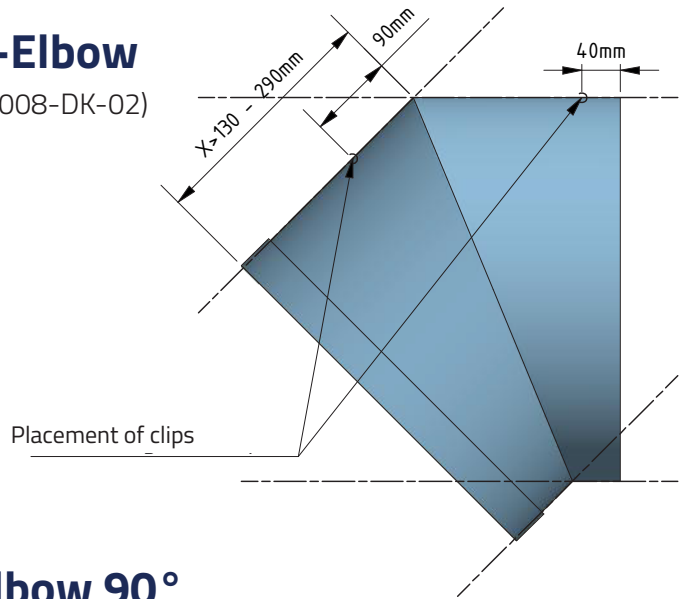
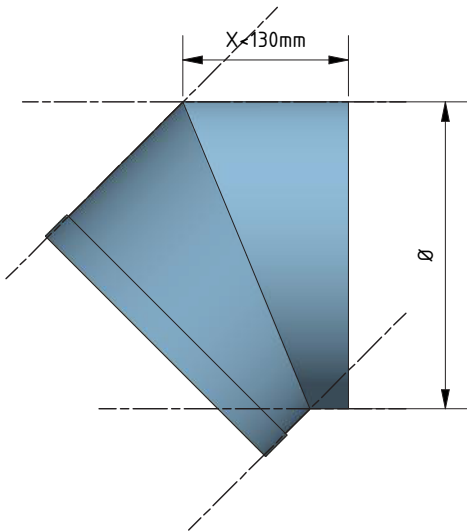
Clip height min. 35 mm

(WO-0007-GB-02)



KE-Elbow

(WO-0008-DK-02)



KE-Elbow 90°

(WO-0009-GB-02)

