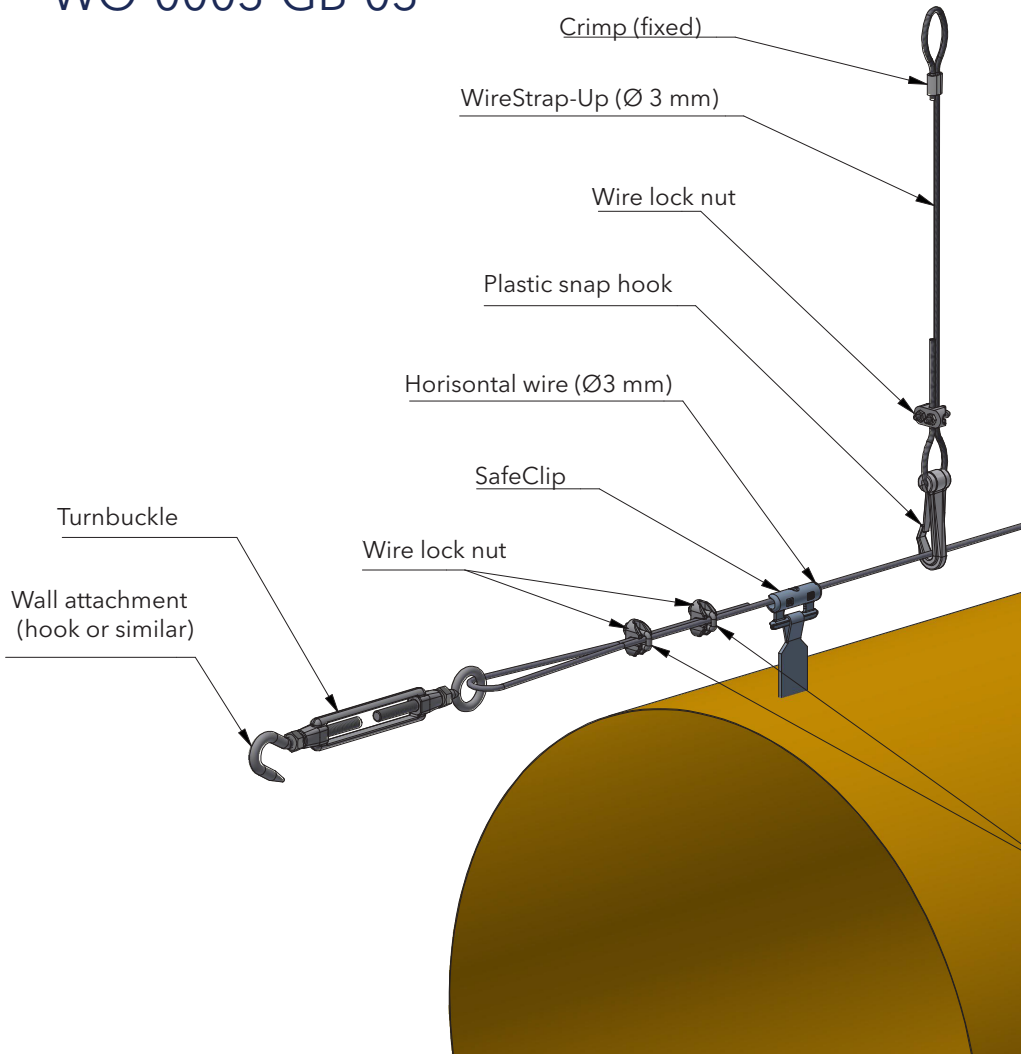


Wire Suspension, Single

WO-0003-GB-03



Mount horizontal wire. Apply tension of max. 20 kg and then tighten wire lock nut. A turnbuckle turned from fully open to fully tensioned will shorten the wire by approx. 80 mm. For wire lengths greater than 15 metres we recommend a turnbuckle at each end.

RECOMMENDATION

It is recommended to tighten the wire every 30 metres.

It is recommended to stretch the duct lengthwise on the wire and to secure the last strap at the bottom.

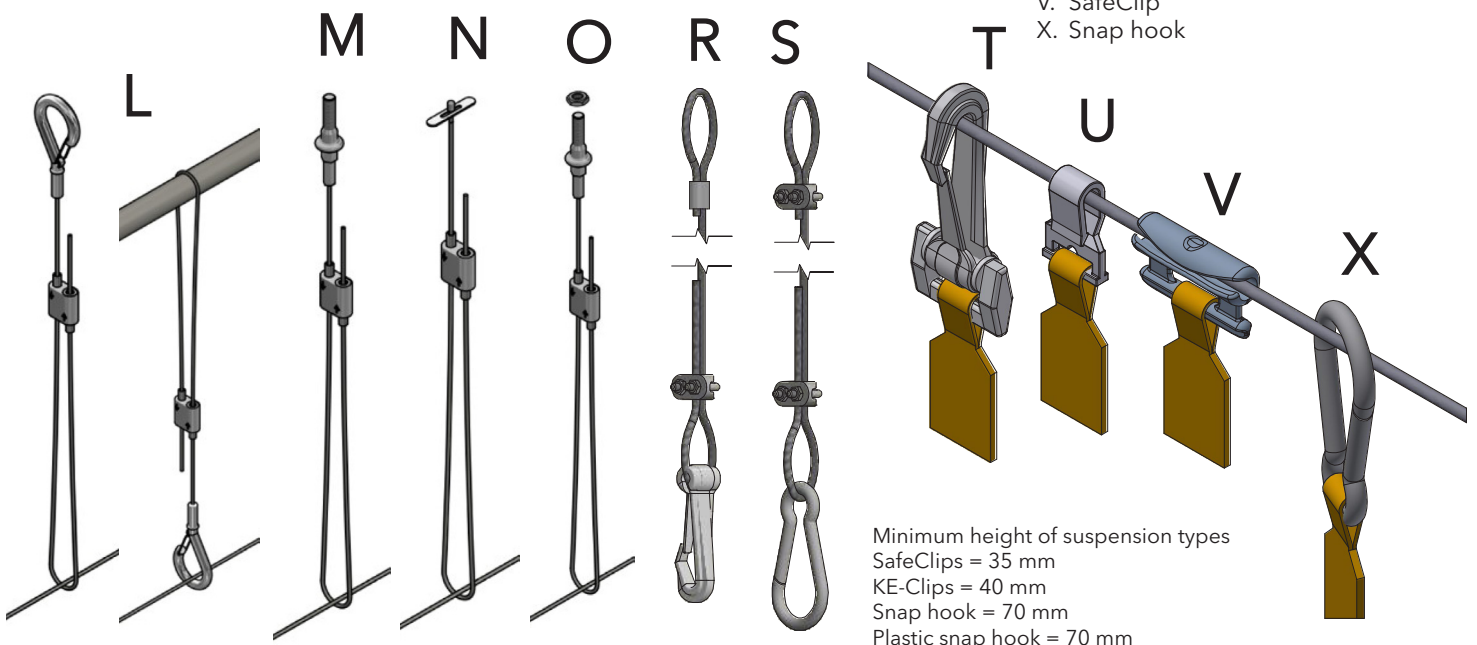
Included as standard:
Extra 3 m wire

For wire lengths less than 12 m install 1 wire lock nut at each end.

For wire lengths exceeding 12 m install 2 wire lock nuts at each end.

- L. Smart-Adjust Strap-Up w/hook
- M. Smart-Adjust Strap-Up w/M6 thread
- N. Smart-Adjust Strap-Up w/zink plate
- O. Smart-Adjust Strap-Up w/M6 thread + nut
- R. Strap-Up with plastic snap hook
- S. Strap-Up with snap hook
- T. Plastic snap hook
- U. KE-Clip
- V. SafeClip
- X. Snap hook

Suspension types



Minimum height of suspension types
 SafeClips = 35 mm
 KE-Clips = 40 mm
 Snap hook = 70 mm
 Plastic snap hook = 70 mm

Wire Suspension, Single (Straight Duct)

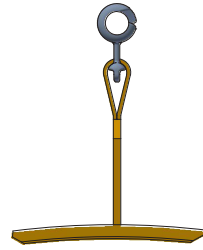
WO-0004-GB-03

Mount horizontal wire. Apply tension of max. 20 kg and then tighten wire lock nut. A turnbuckle turned from fully open to fully tensioned will shorten the wire by approx. 80 mm. For wire lengths greater than 15 metres we recommend a turnbuckle at each end.

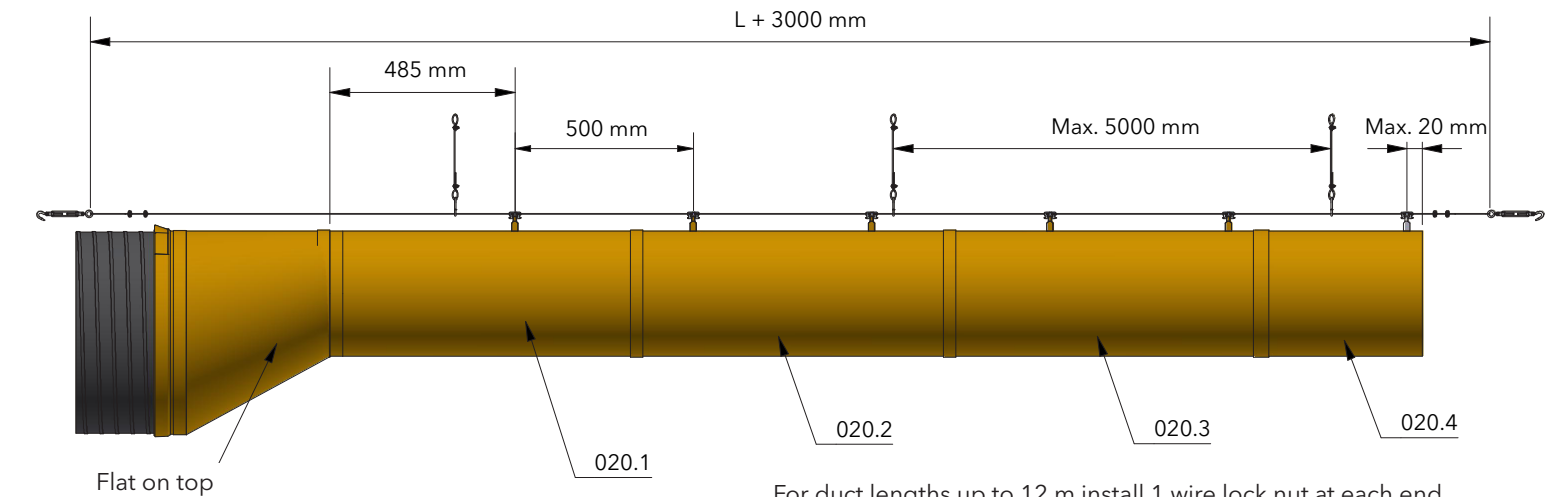
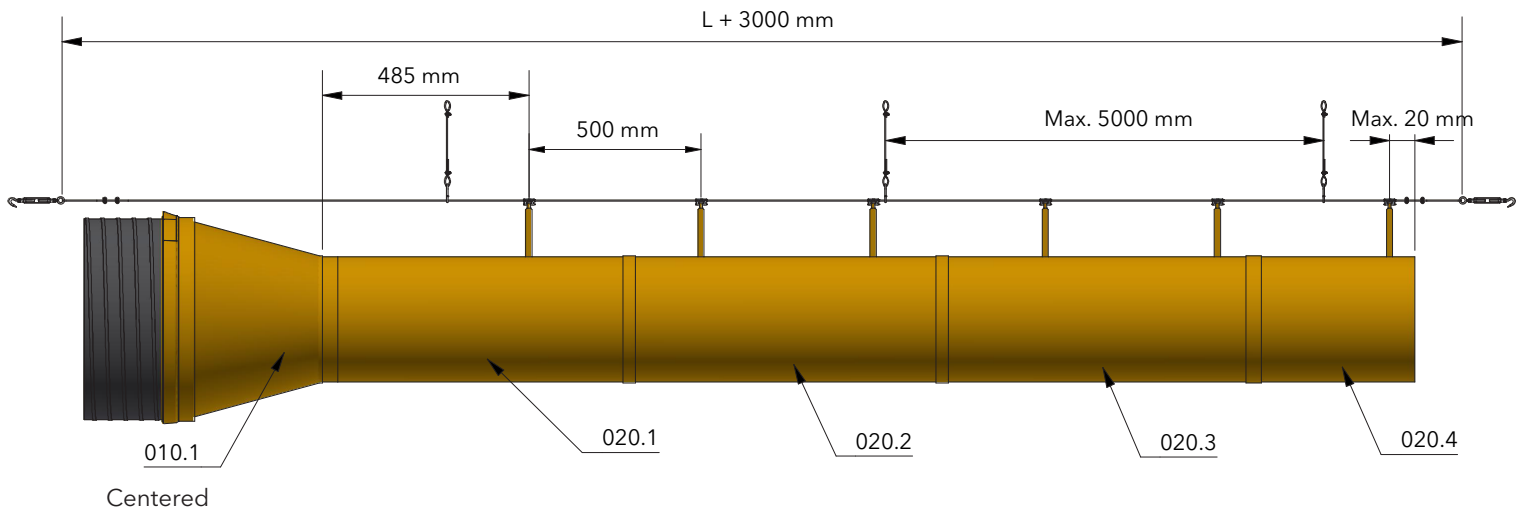
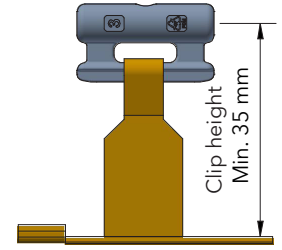
RECOMMENDATION

It is recommended to tighten the wire every 30 metres. It is recommended to stretch the duct lengthwise on the wire and to secure the last strap at the bottom.

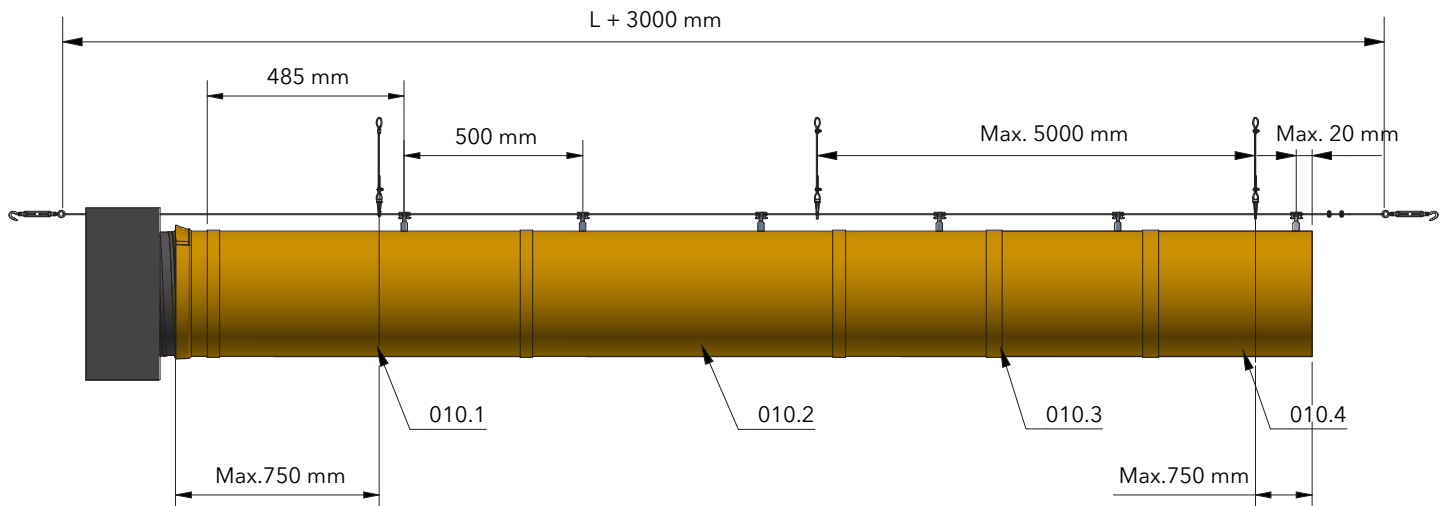
SafeClip (side)



SafeClip (front)

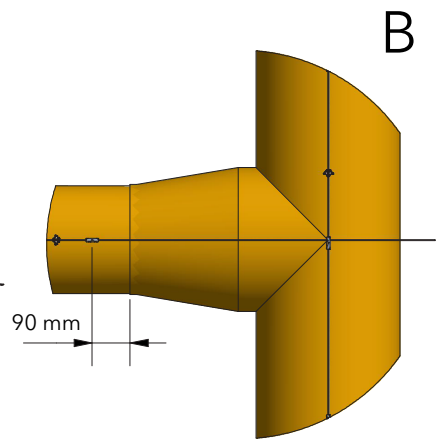
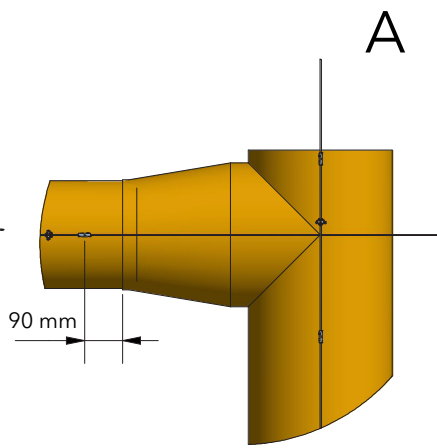
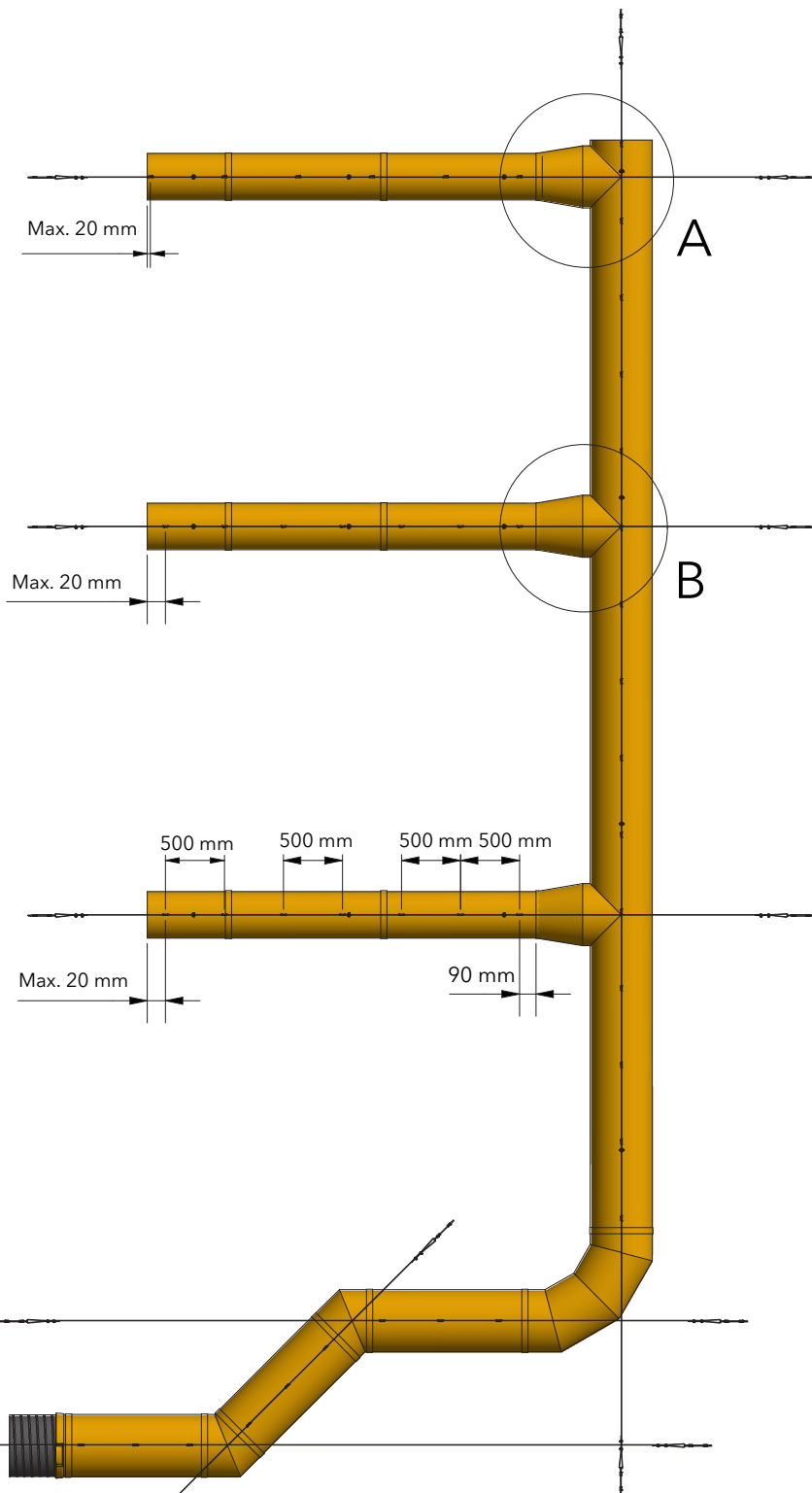
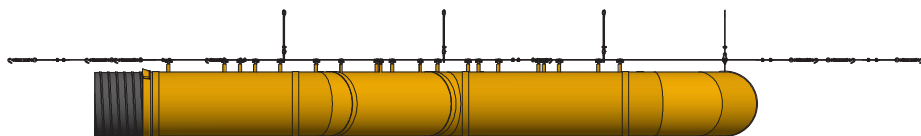


For duct lengths up to 12 m install 1 wire lock nut at each end
 For duct lengths exceeding 12 m install 2 wire lock nuts at each end



Wire Suspension, Single (Plenum)

WO-0005-GB-04

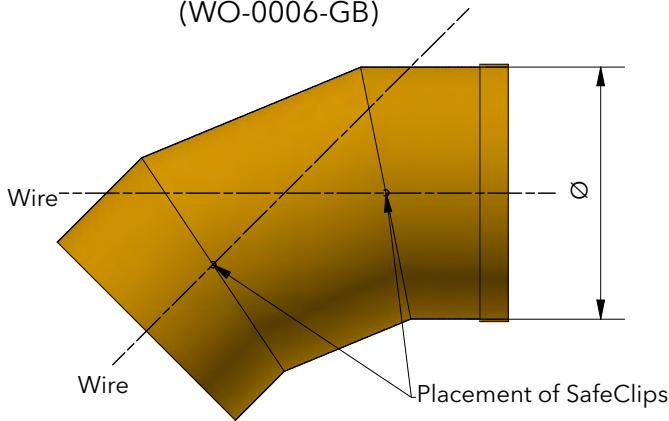


Wire Options, Single row suspension

AIR THE WAY YOU WANT

KE-Bend 45° / KE-Bend 90°

(WO-0006-GB)

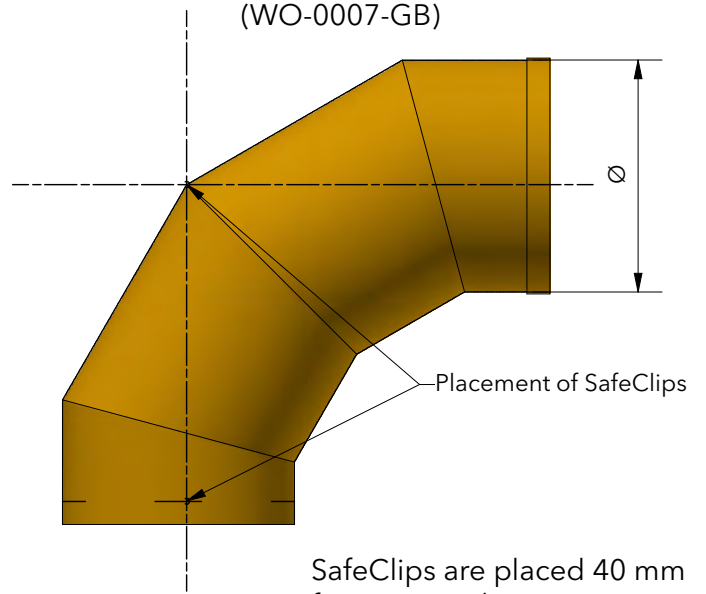


SafeClips
Min. height 35 mm

Calculation:
 $\frac{\text{Ø}}{2} + \text{SafeClip height} = X \text{ mm}$
 Ex.: $\frac{\text{Ø}400}{2} + 35 = 235 \text{ mm}$

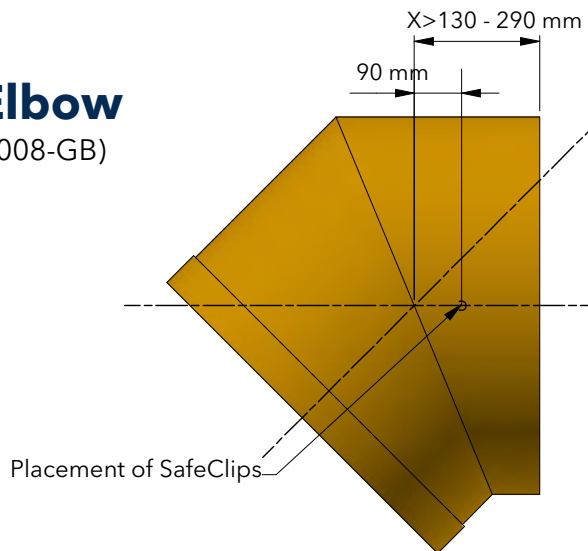
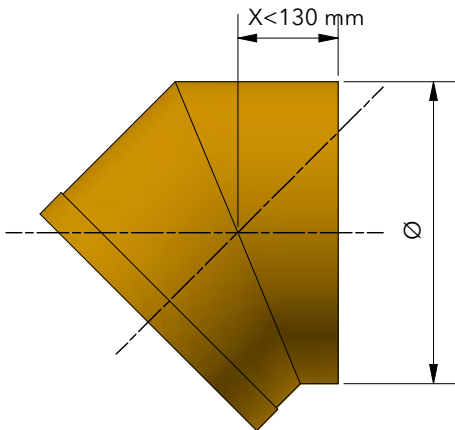
See WO-0003 for further suspension types and min. heights

(WO-0007-GB)

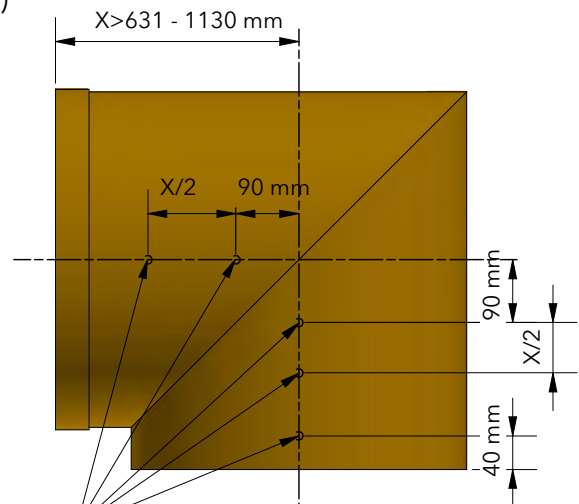
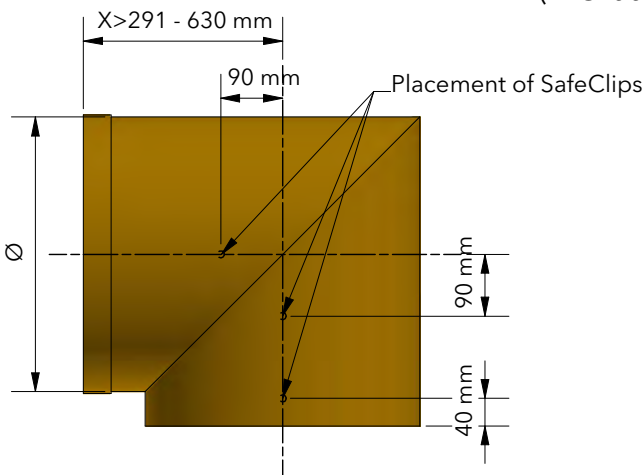


SafeClips are placed 40 mm from external zipper

KE-Elbow (WO-0008-GB)



KE-Elbow 90° (WO-0009-GB)



Placement of SafeClips