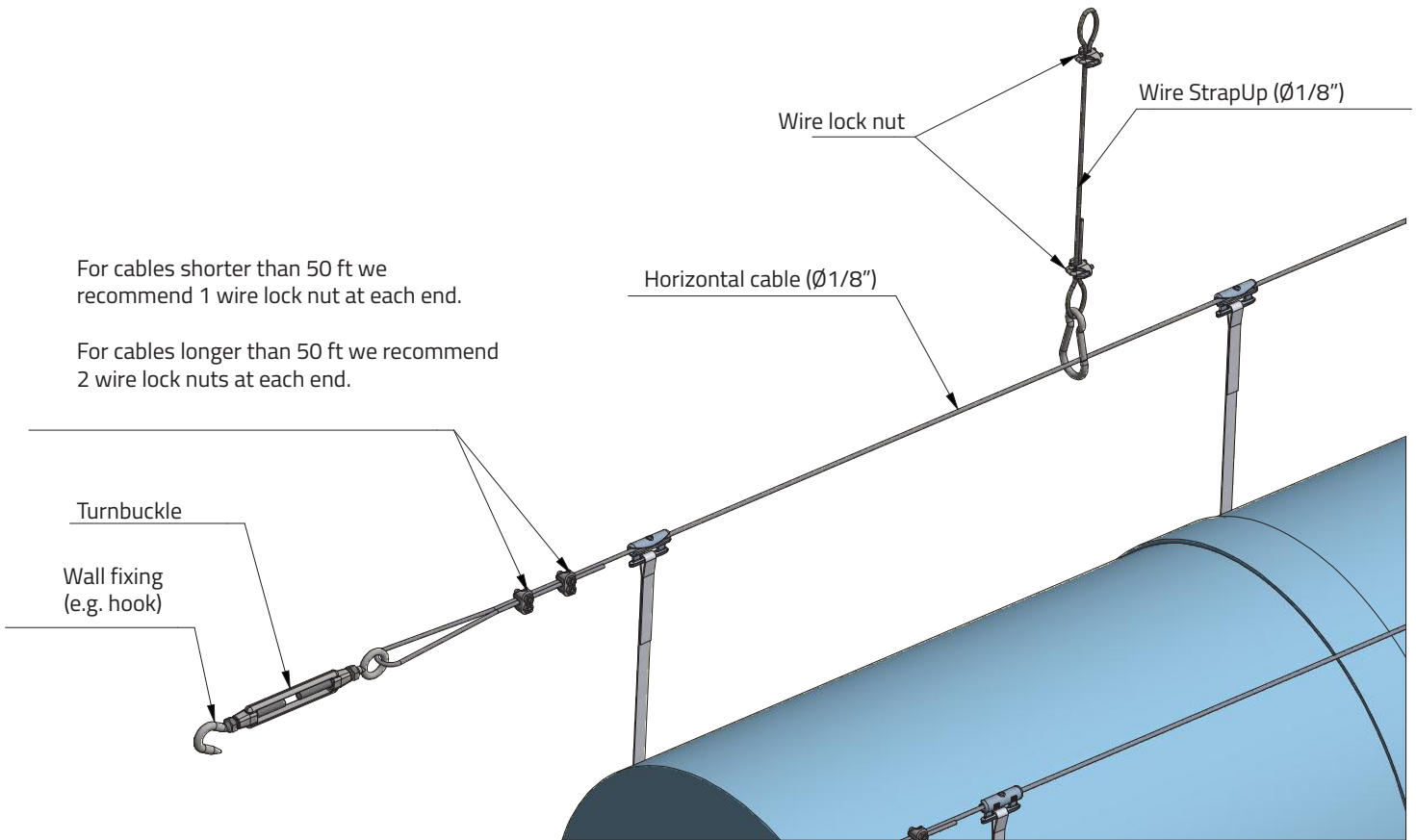


Cable Suspension, Double

WO-0003-US-03

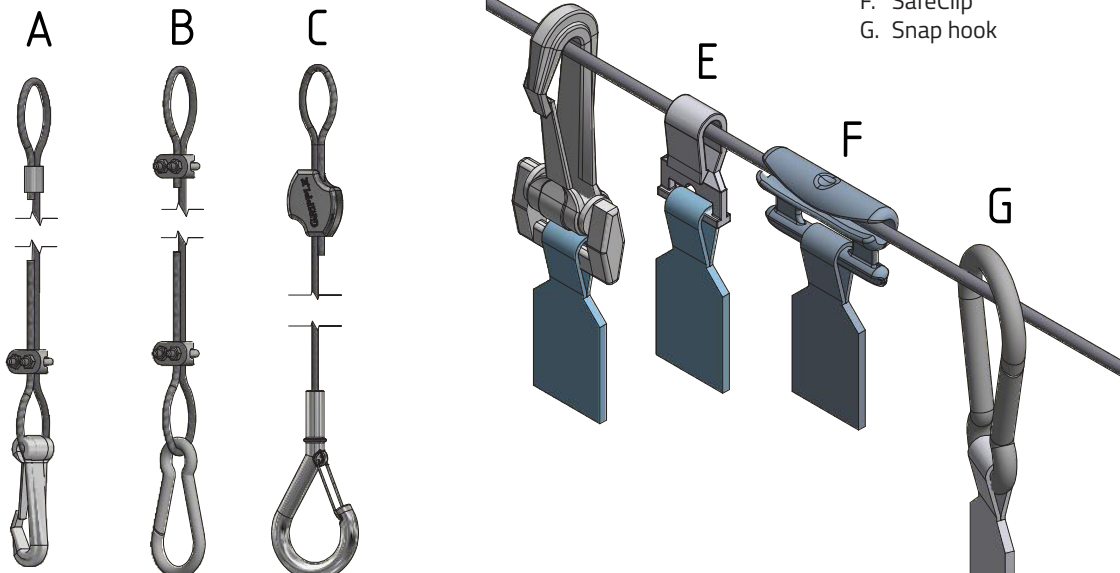
For cables shorter than 50 ft we recommend 1 wire lock nut at each end.

For cables longer than 50 ft we recommend 2 wire lock nuts at each end.



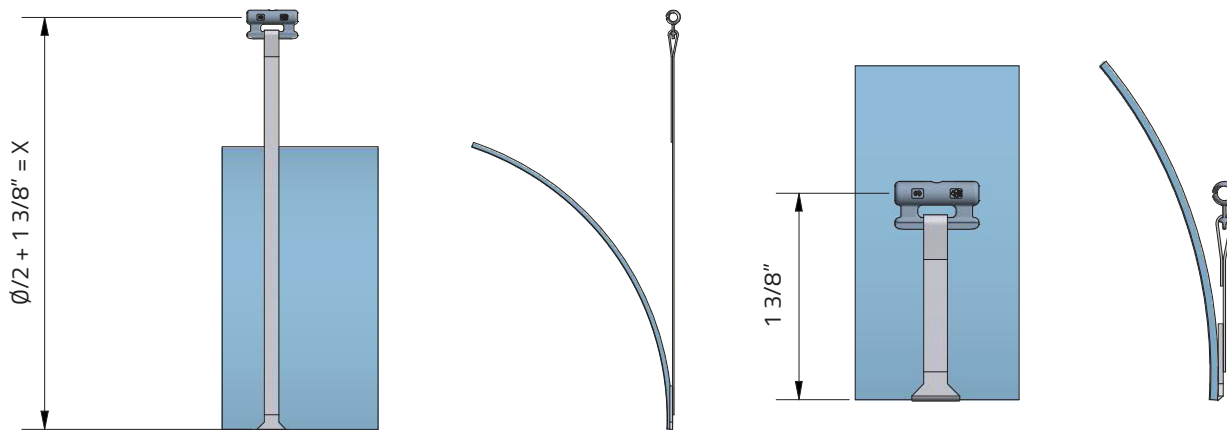
Suspension types

- A. StrapUp with plastic snap hook
- B. StrapUp with snap hook
- C. StrapUp w/Gripper
- D. Plastic snap hook
- E. KE-Clip
- F. SafeClip
- G. Snap hook

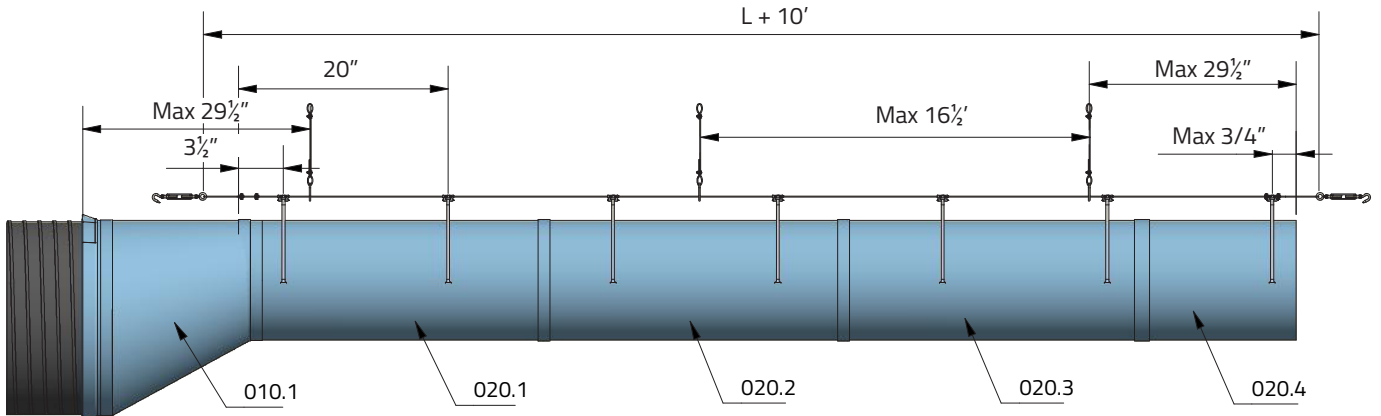
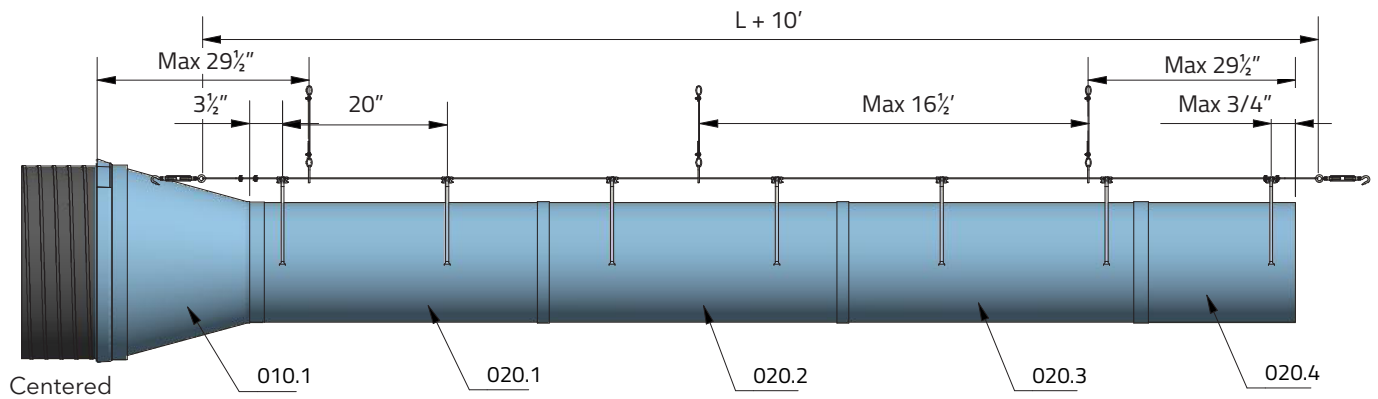


Cable Suspension, Double (Straight Duct)

WO-0004-US-03

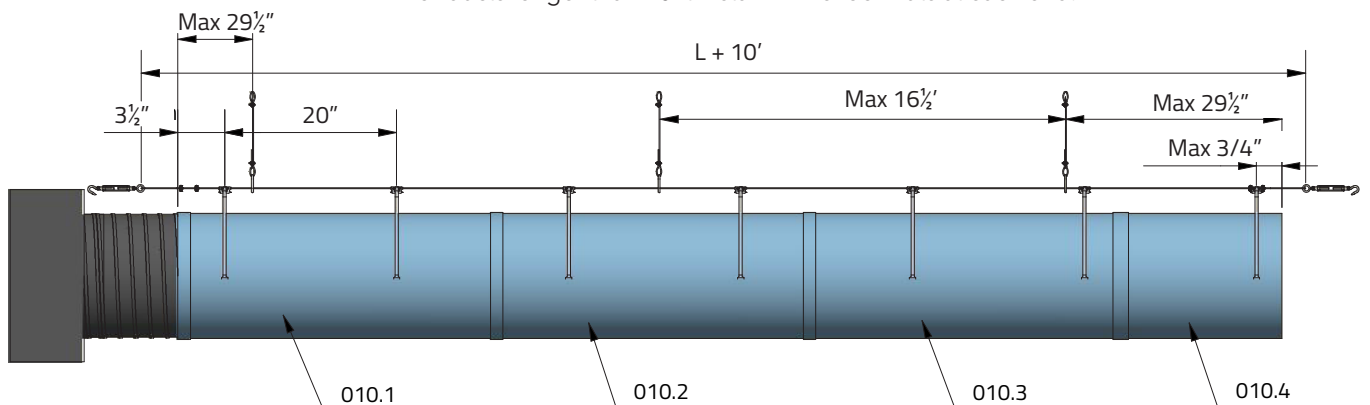


Mount horizontal cables. Apply tension of max. 45 lbs and then tighten lock nut. A turnbuckle turned from fully open to fully tensioned will shorten the cable by approx. 3 2/8". For cables longer than 50 ft we recommend a turnbuckle at each end.



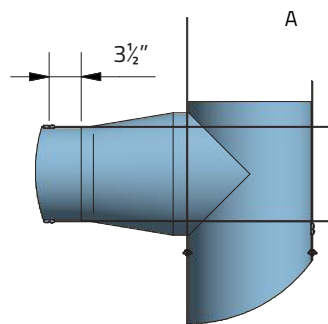
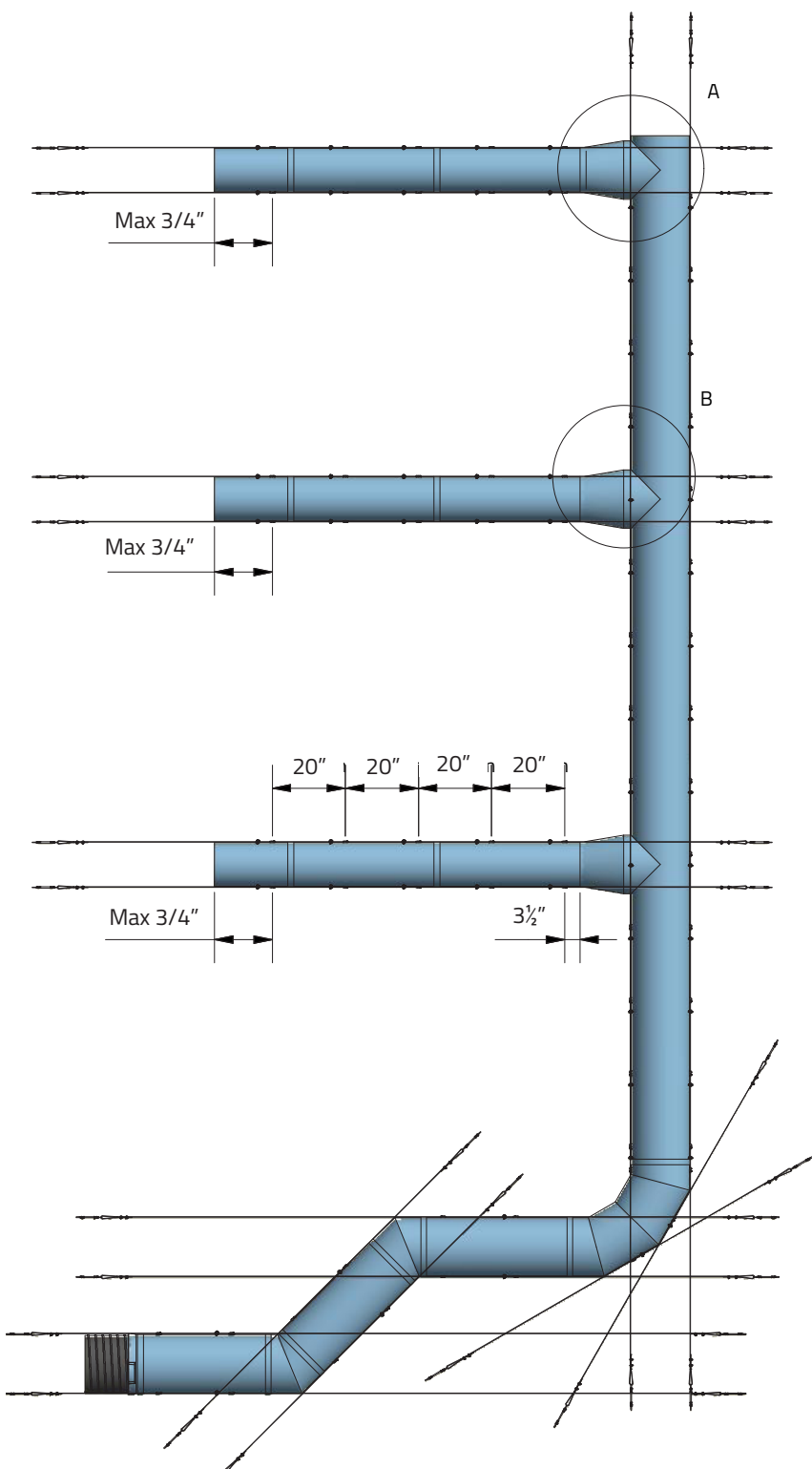
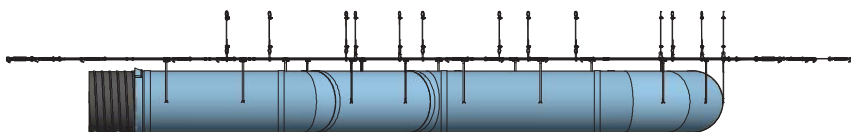
Flat on top

For duct lengths up to 40 ft install 1 wire lock nut at each end.
For ducts longer than 40 ft install 2 wire lock nuts at each end.

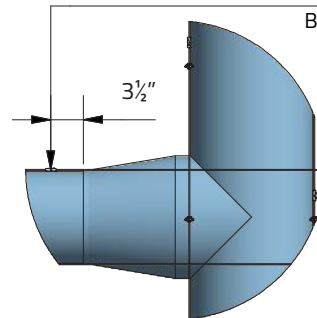


Cable Suspension, Double (Plenum)

WO-0005-US-02



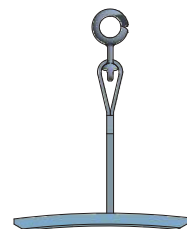
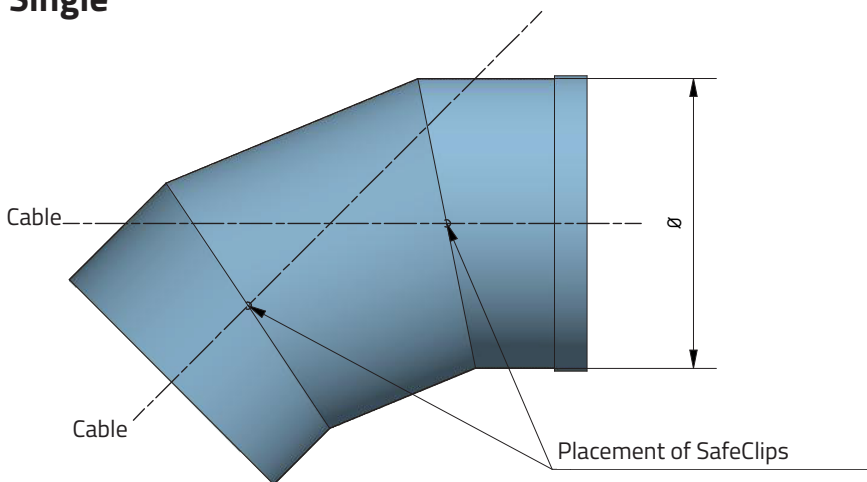
After a socket an additional strap must be placed 3 1/2" from the internal zipper.



Cable Suspension, KE-Gored Elbow 45°

WO-0006-US-03

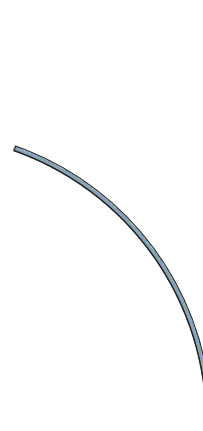
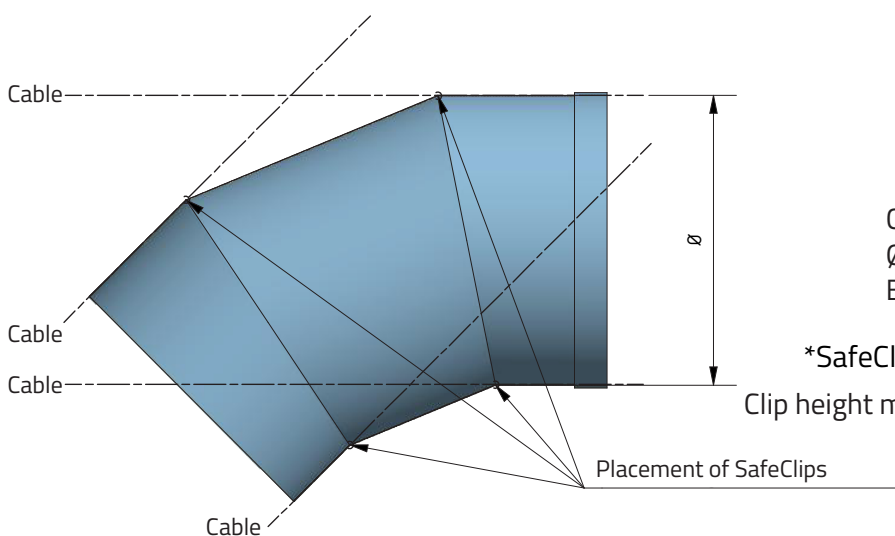
Single



SafeClips

Clip height min. 1 3/8"

Double



Calculation:

$$\frac{\text{Ø}}{2} + \text{Clip height} = X''$$

Ex.: $\frac{\text{Ø}16}{2} + 1 \frac{3}{8} = 9 \frac{3}{8}''$

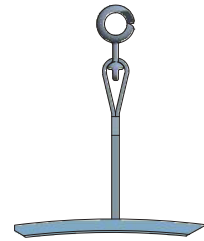
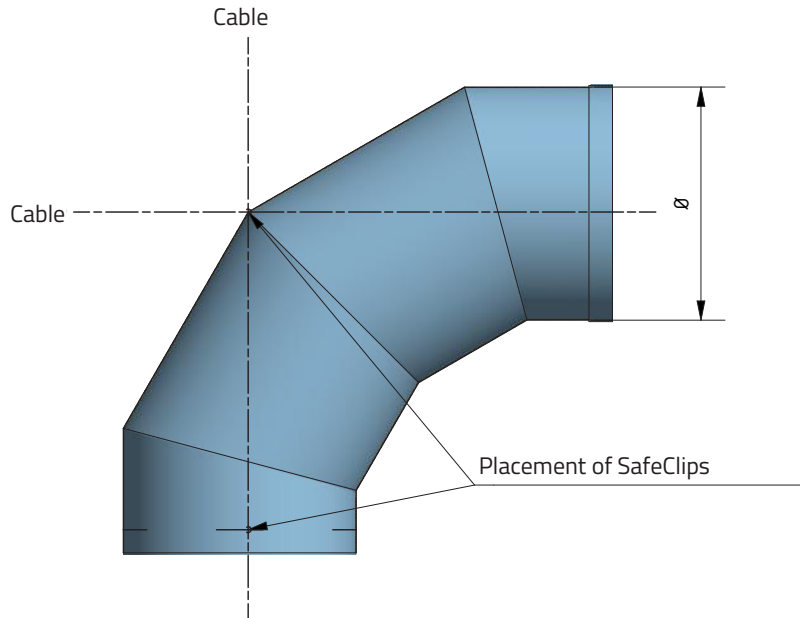
SafeClips

Clip height min. 1 3/8"

Cable Suspension, KE-Gored Elbow 90°

WO-0007-US-03

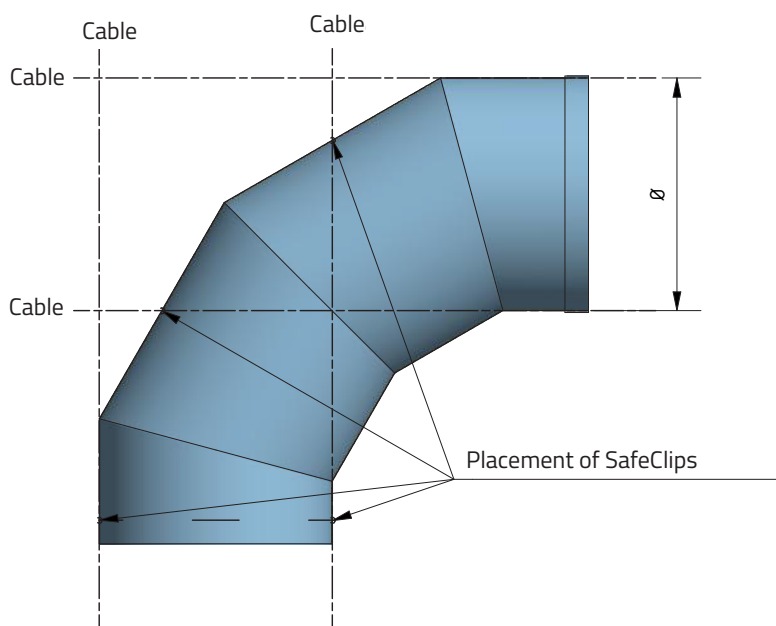
Single



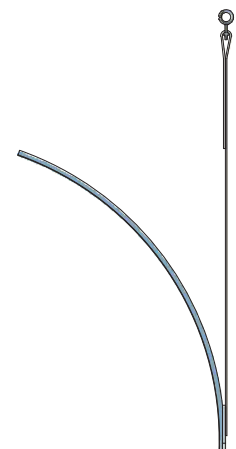
Calculation:
 $\frac{\text{Ø}}{2} + \text{Clip height} = X''$
 Ex.: $\frac{\text{Ø}16}{2} + 1 \frac{3}{8} = 9 \frac{3}{8}''$

SafeClips are placed $1 \frac{5}{8}''$ from external zipper.

Double



SafeClips
 Clip height min. $1 \frac{3}{8}''$

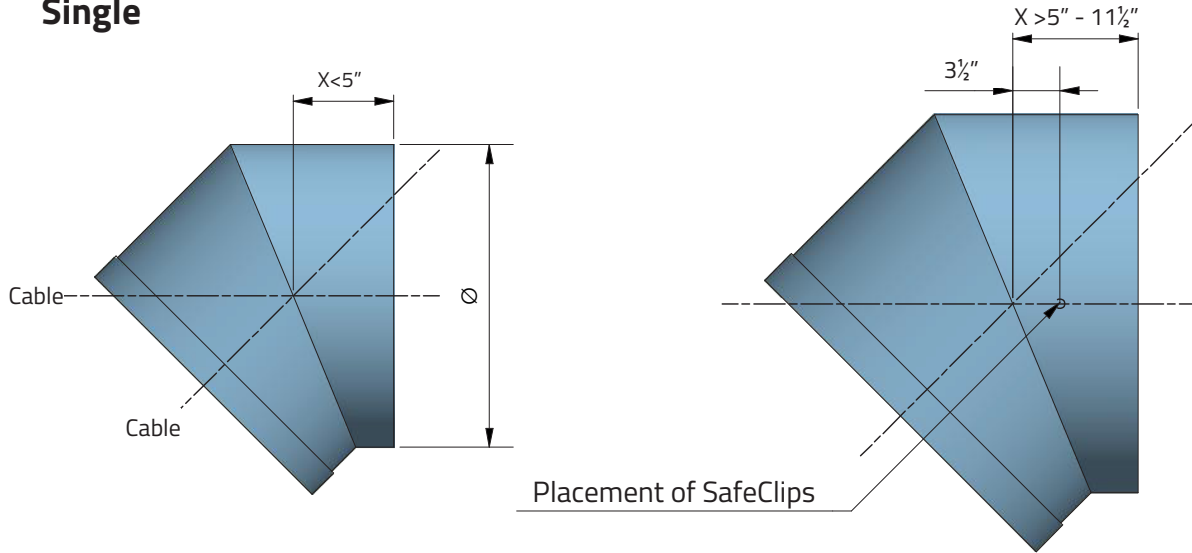


Cable Suspension, KE-Mitered Elbow

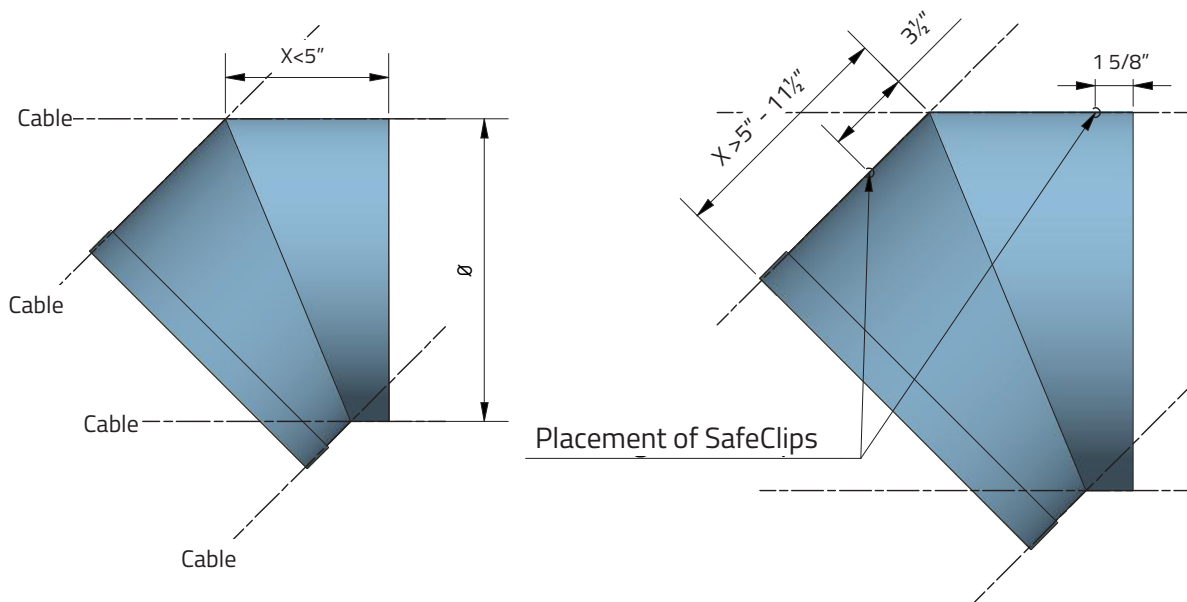
WO-0008-US-03

See delivery note for specific angle

Single



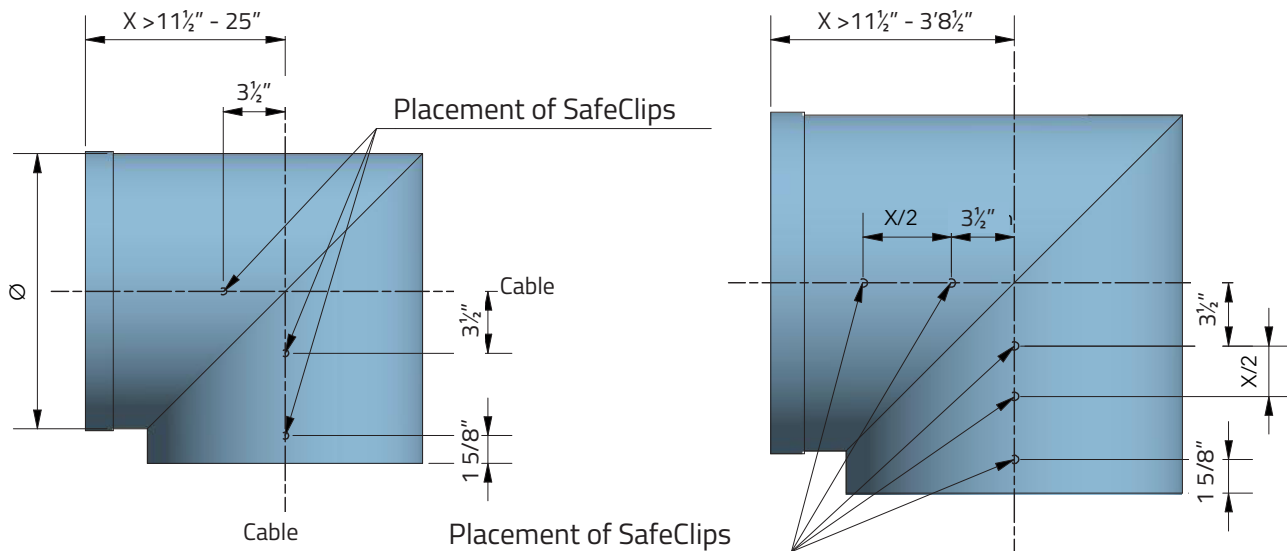
Double



Cable Suspension, KE-Mitered Elbow 90°

WO-0009-US-03

Single



Double

