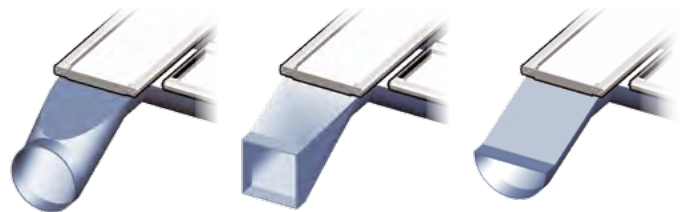
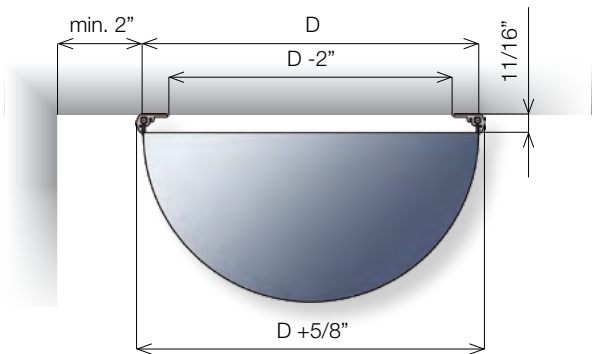
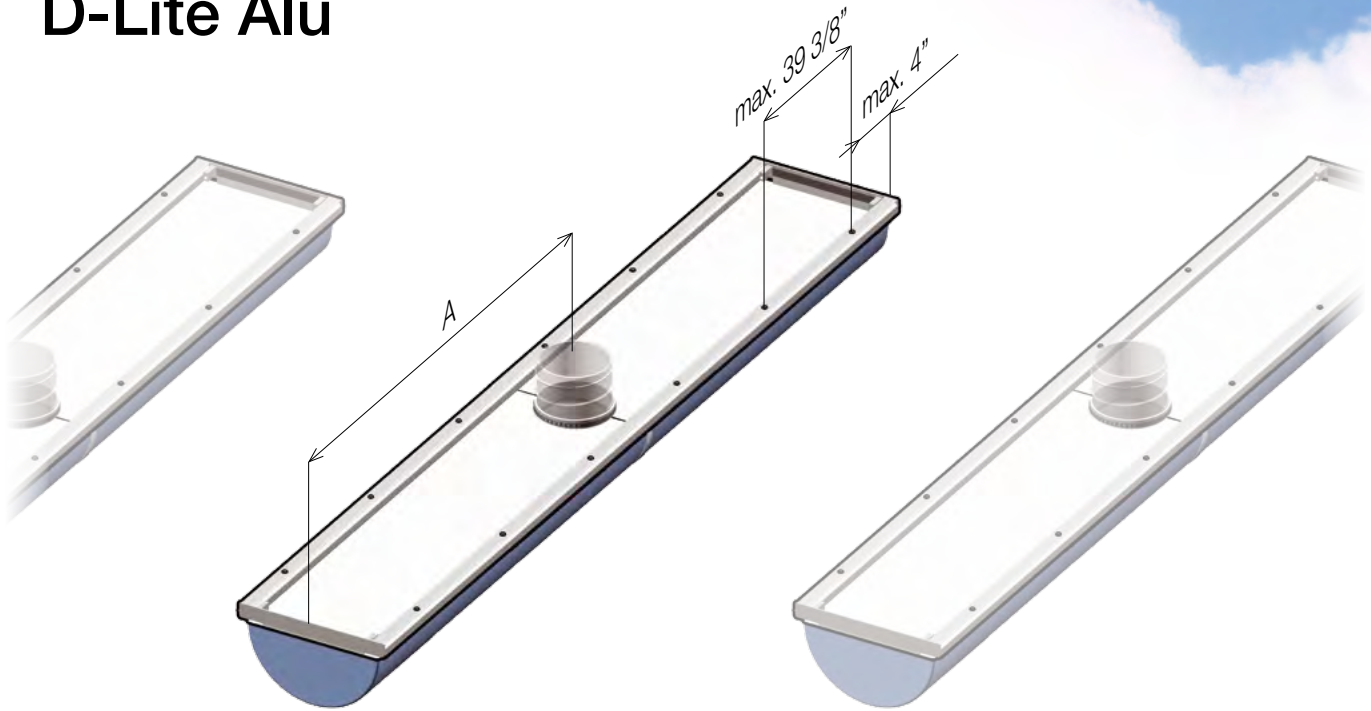


# D-Lite Alu



Alternative inlet options are available.  
Please contact KE Fibertec for more details.

D-Lite Alu-rail is a light-weight anodized aluminium rail which is supplied in cut lengths to match the fabric duct and which is packed with the necessary components and marked individually with exact indication of placement.

KE Fibertec suggest the D-Lite Alu-rail for KE-Low Impulse® systems of up to D 31 1/2". The rail is designed to ensure simple and easy mounting on flat, suspended ceilings. May be applied as an affordable alternative to D-Alu-rails in rooms with high demands on finish and appearance and in rooms with difficult access.

Not included in the delivery: Screws for ceiling attachment.

