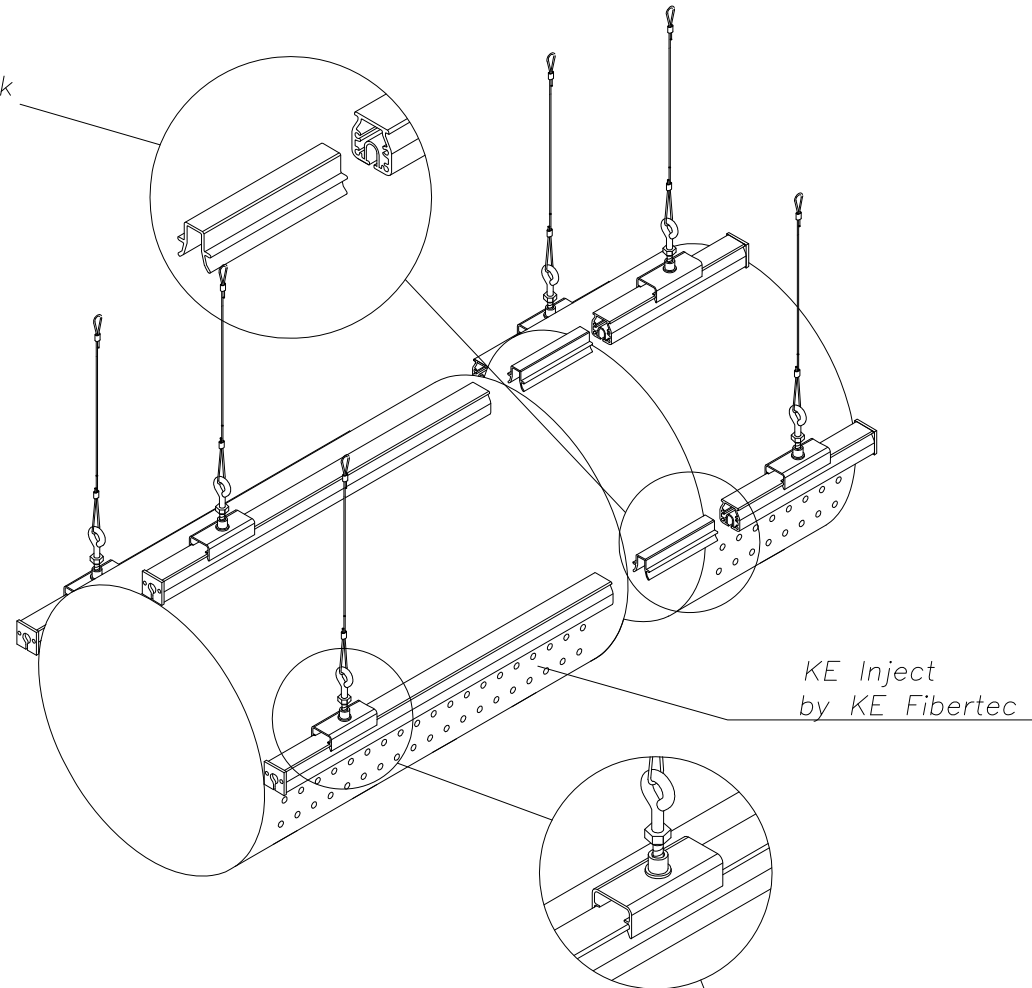


*Safejoint for joining track*



*KE Inject  
by KE Fibertec*

*Snap on suspension section with cable dropper*

**Triple Track Suspension Detail  
for KE Fibertec Fabric Ducts (3, 9 & 12 O'clock Attachment)**