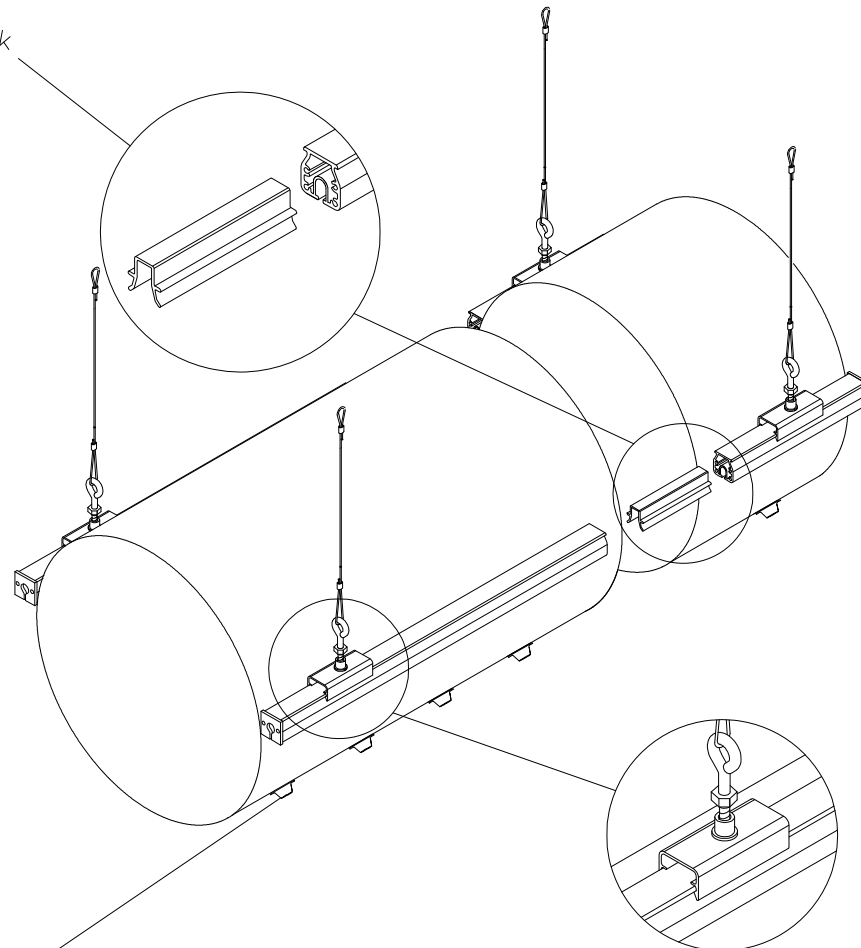


Safejoint for joining track



*KE Low Impulse (no openings)
by KE Fibertec*

Snap on suspension section with cable dropper

**Dual Track Suspension Detail
for Fabric Ducts (3 and 9 o' clock Attachment)**