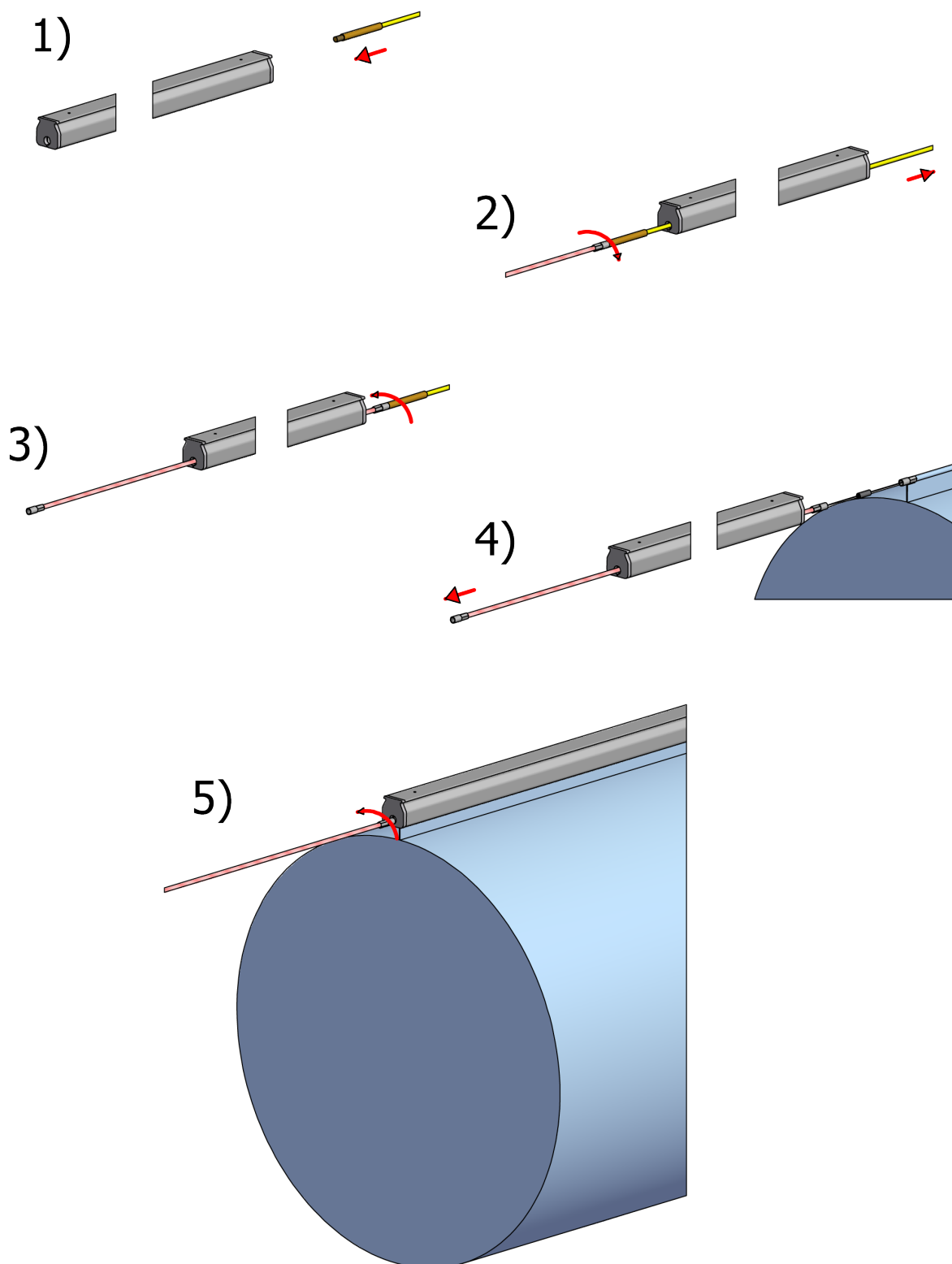


Mount Easy
Two End



Here shown with single row suspension. Same principle for double row suspension.