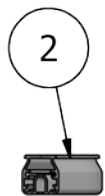
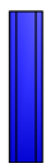
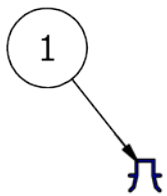
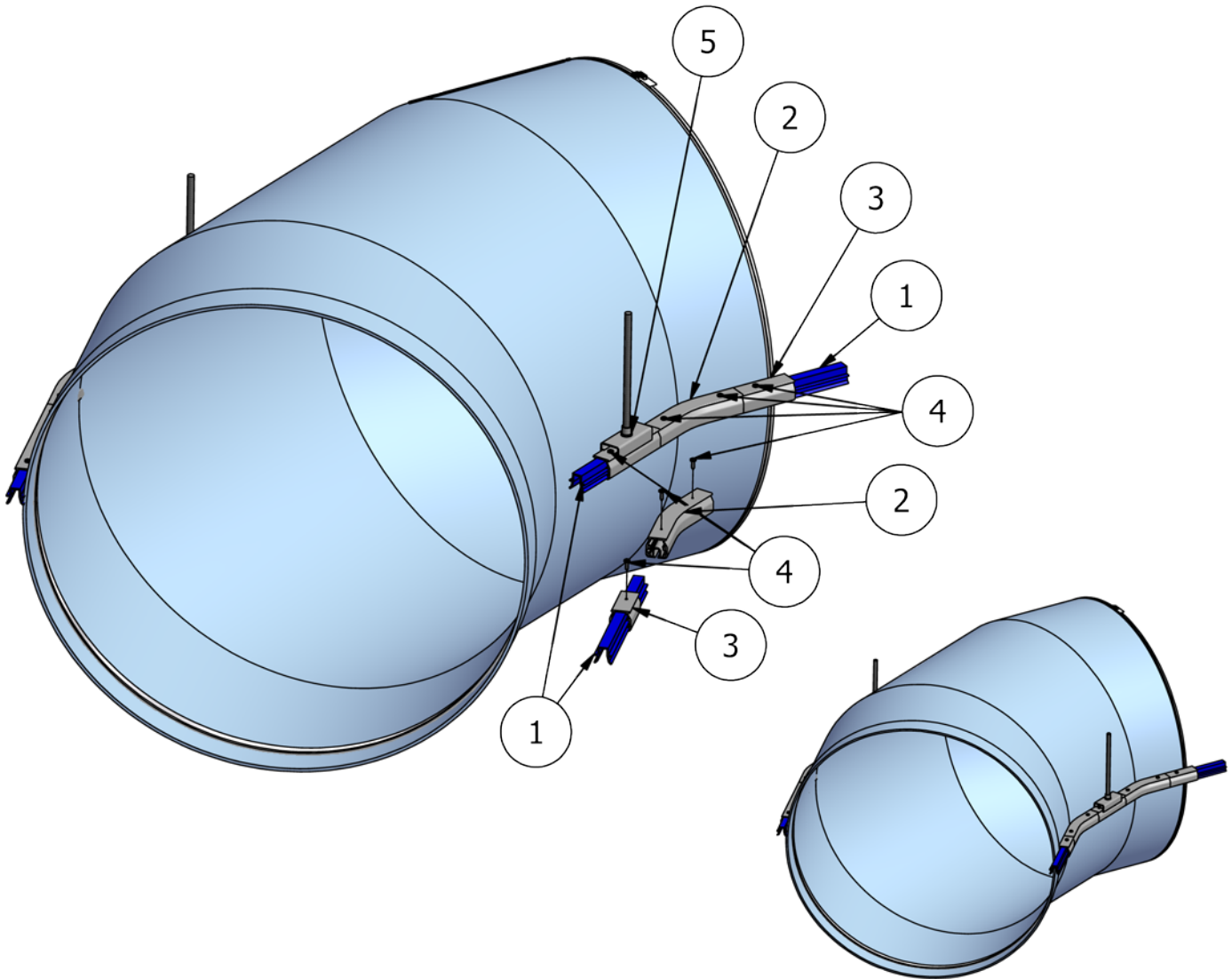
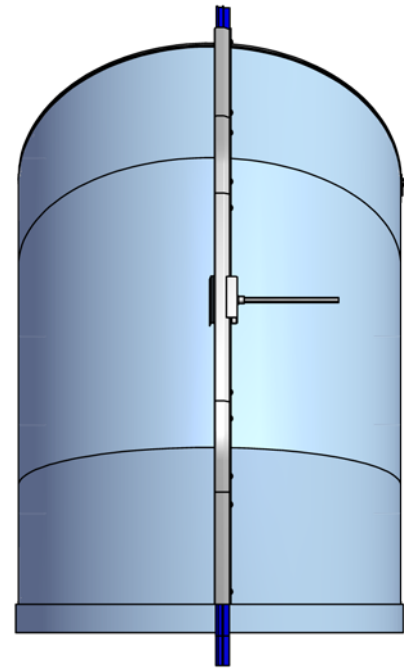
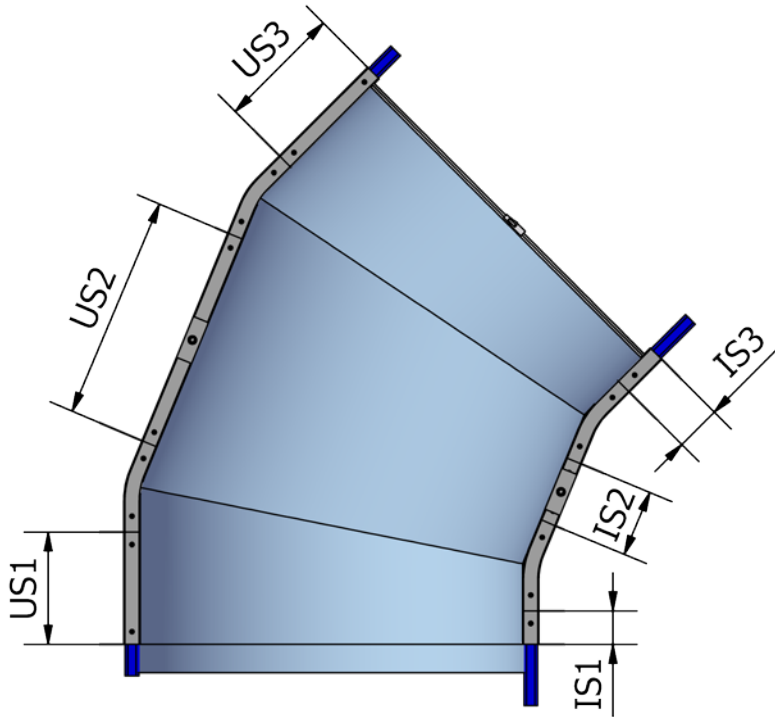


Rolled Bend 45° Mounting System (Double)



Rolled Bend 45°
Mounting System
(Double)



∅ duct	IS1	Safejoint length IS1	No.	IS2	Safejoint length IS2	No.	IS3	Safejoint length IS3	No.	US1	Safejoint length US1	No.	US2	Safejoint length US2	No.	US3	Safejoint length US3	No.
mm		mm			mm			mm			mm			mm			mm	
630	53	200	1	106	100	2	73	200	1	178	100	2	356	100	2	198	100	2
710	69	200	1	138	100	2	89	200	1	210	100	2	420	100	2	230	100	2
800	87	200	1	173	100	2	107	100	2	246	100	2	492	100	2	266	100	2
900	107	100	2	213	100	2	127	100	2	286	100	2	571	100	2	306	100	2
1000	126	100	2	253	100	2	146	100	2	325	100	2	651	100	2	345	100	2
1100	146	100	2	293	100	2	166	100	2	365	100	2	730	100	2	385	100	2
1200	166	100	2	332	100	2	186	100	2	405	100	2	810	100	2	425	100	2
1300	186	100	2	372	100	2	206	100	2	445	100	2	889	100	2	465	100	2
1400	206	100	2	412	100	2	226	100	2	485	100	2	969	100	2	505	100	2