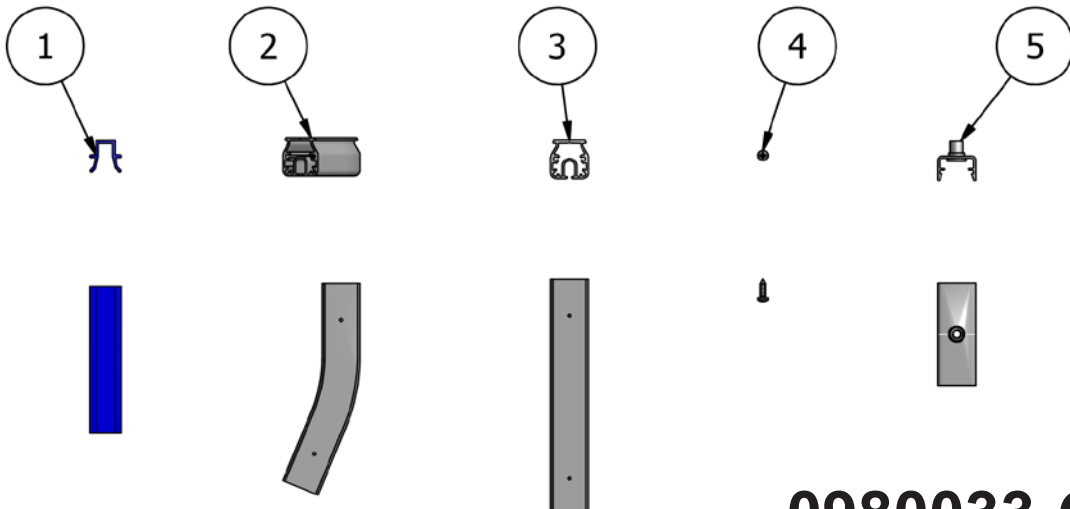
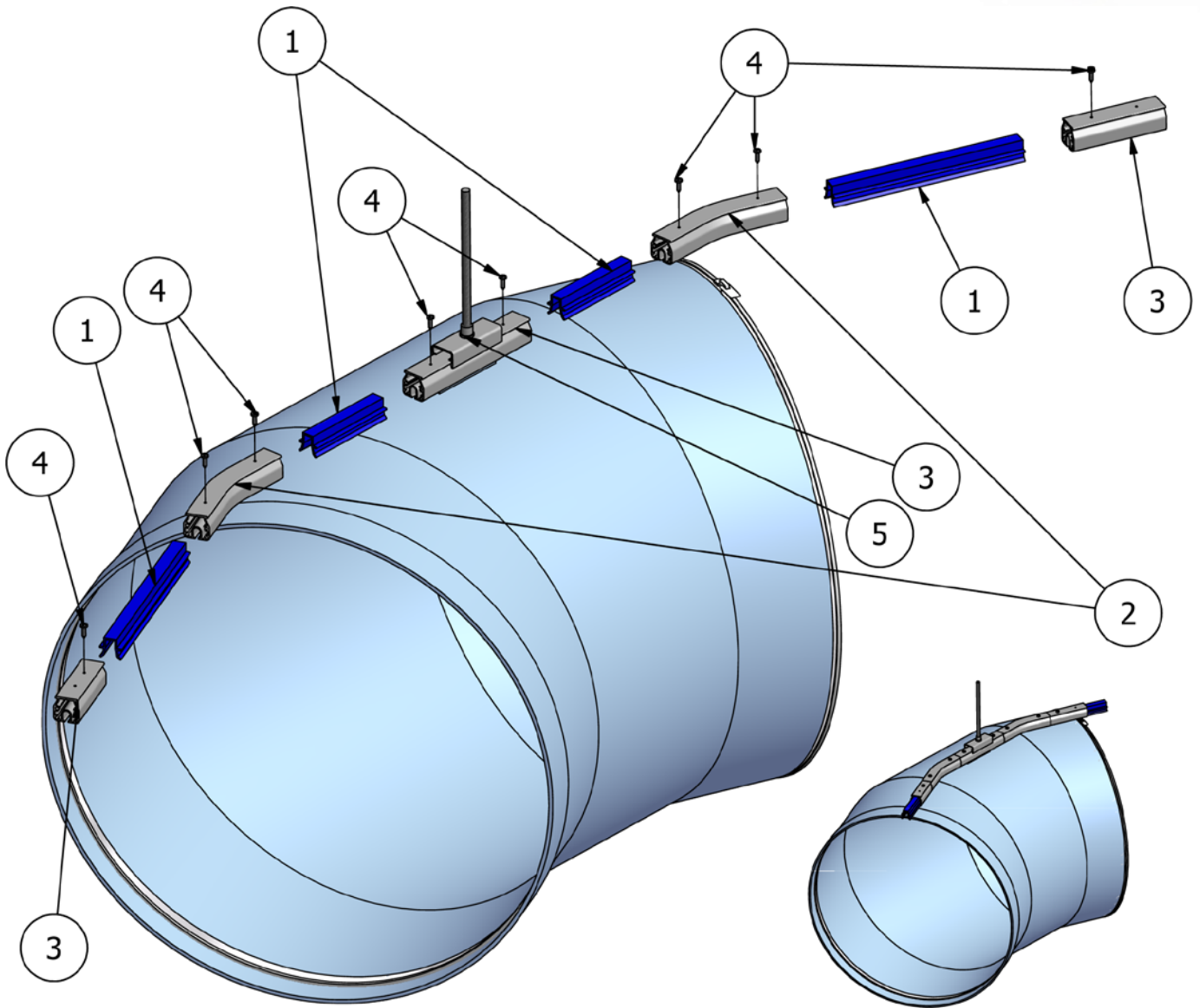
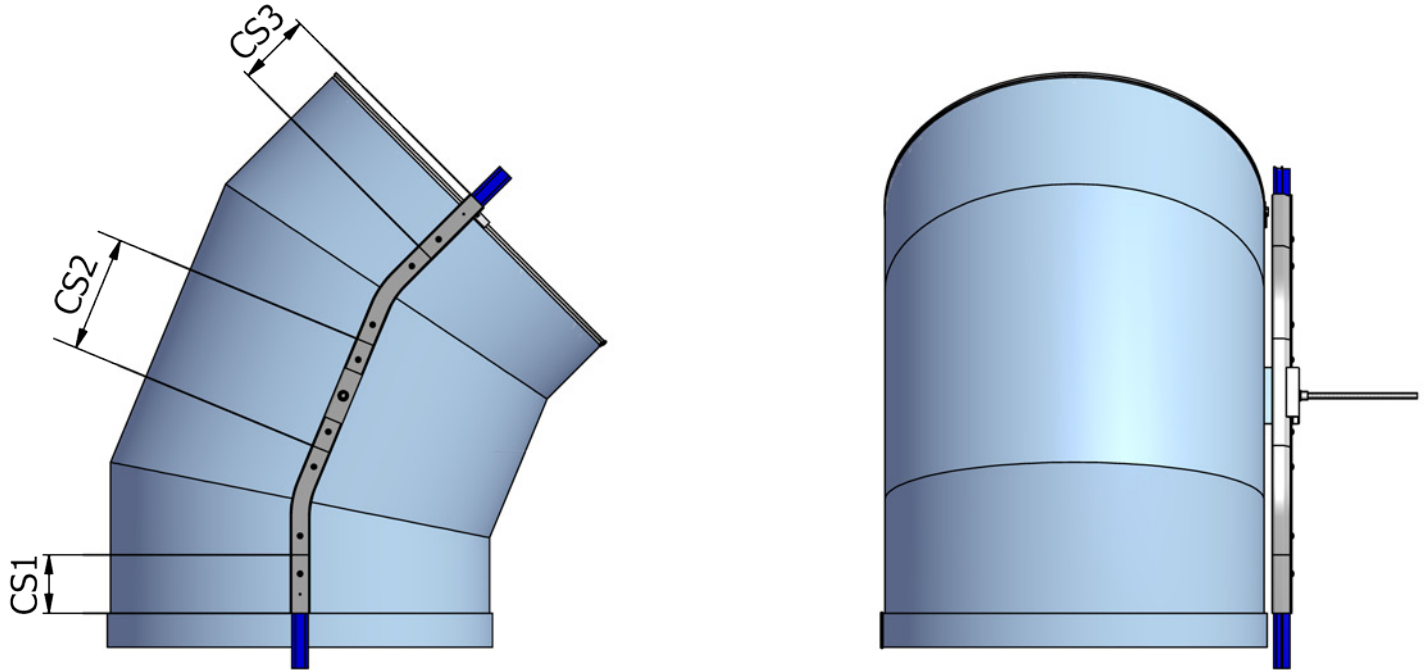


Rolled Bend 45° Mounting System (Single)



Rolled Bend 45°
Mounting System
(Single)



| Ø Duct [mm] | CS1 | Safejoint length [mm] | Pcs | CS2 | Safejoint length [mm] | Pcs | CS3 | Safejoint length [mm] | Pcs |
|-------------|-----|-----------------------|-----|-----|-----------------------|-----|-----|-----------------------|-----|
| 450 | 62 | 200 | 1 | 124 | 100 | 2 | 82 | 200 | 1 |
| 480 | 71 | 200 | 1 | 142 | 100 | 2 | 91 | 200 | 1 |
| 500 | 77 | 200 | 1 | 153 | 100 | 2 | 97 | 200 | 1 |
| 560 | 95 | 200 | 1 | 189 | 100 | 2 | 115 | 100 | 2 |
| 600 | 107 | 100 | 2 | 213 | 100 | 2 | 127 | 100 | 2 |
| 630 | 116 | 100 | 2 | 231 | 100 | 2 | 136 | 100 | 2 |
| 710 | 139 | 100 | 2 | 279 | 100 | 2 | 159 | 100 | 2 |
| 750 | 151 | 100 | 2 | 303 | 100 | 2 | 171 | 100 | 2 |
| 800 | 166 | 100 | 2 | 332 | 100 | 2 | 186 | 100 | 2 |
| 850 | 181 | 100 | 2 | 362 | 100 | 2 | 201 | 100 | 2 |
| 900 | 196 | 100 | 2 | 392 | 100 | 2 | 216 | 100 | 2 |
| 950 | 211 | 100 | 2 | 422 | 100 | 2 | 231 | 100 | 2 |
| 1000 | 226 | 100 | 2 | 452 | 100 | 2 | 246 | 100 | 2 |
| 1100 | 256 | 100 | 2 | 512 | 100 | 2 | 276 | 100 | 2 |
| 1200 | 286 | 100 | 2 | 571 | 100 | 2 | 306 | 100 | 2 |
| 1300 | 315 | 100 | 2 | 631 | 100 | 2 | 335 | 100 | 2 |
| 1400 | 345 | 100 | 2 | 691 | 100 | 2 | 365 | 100 | 2 |