

# Double suspension

2 std SafeTrack bulbs

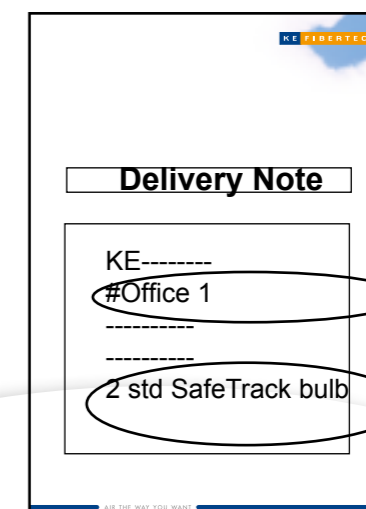
\*See further sizing details on enclosed project drawings, if any, and also see delivery note (packing list) and read off position description.

# SafeTrack - Dual Arch

## General rules

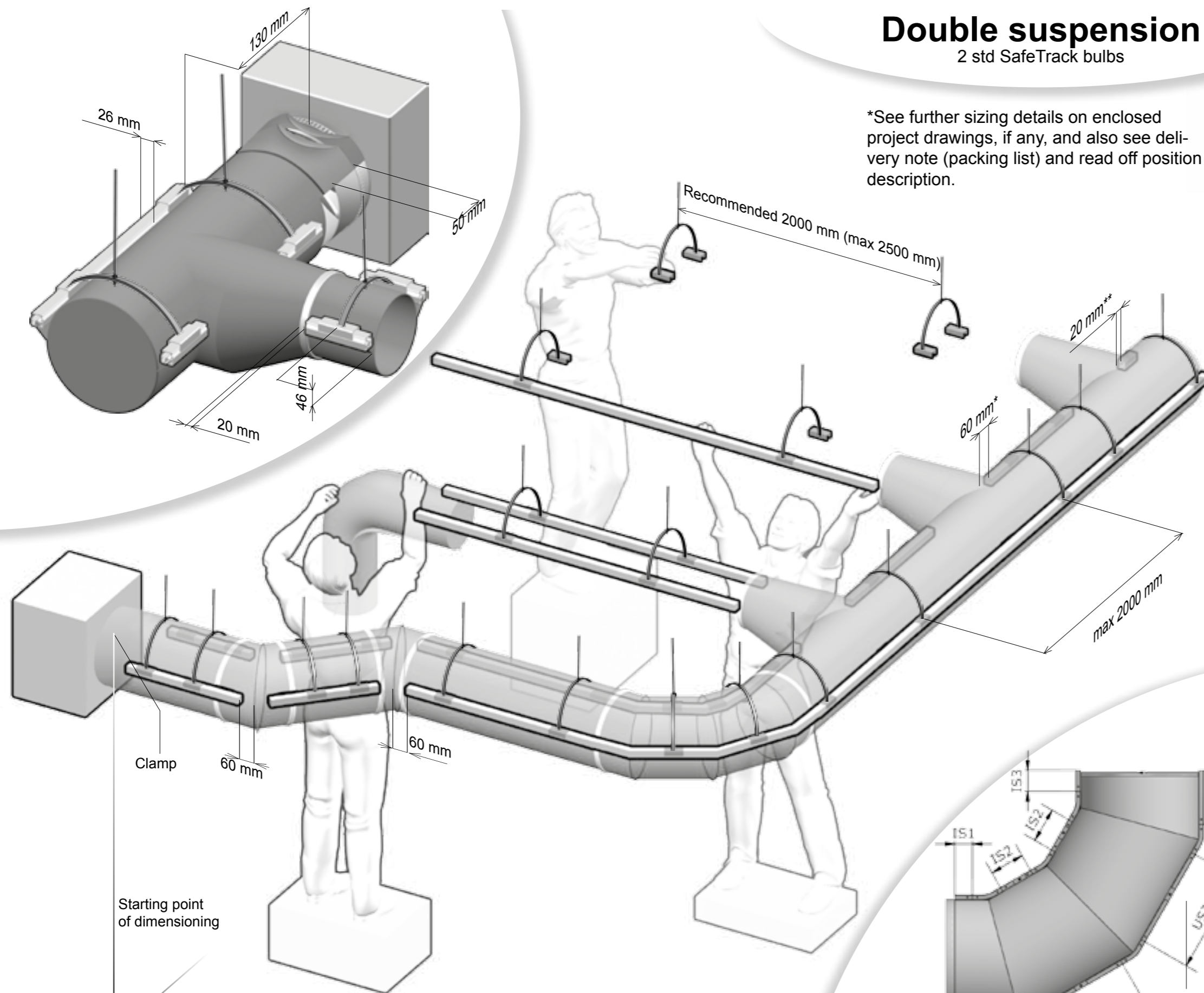


Please find information on delivery and installation in the box labelled INFO.



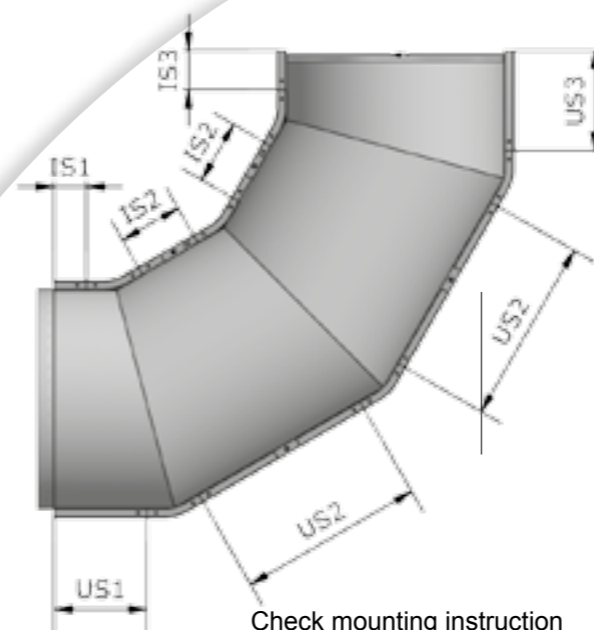
Room reference

Suspension type



\* 20 mm "externally" between end of SafeTrack and side of outlet socket

\*\* 60 mm "internally" between end of SafeTrack and side of outlet socket



Check mounting instruction 0980021 for further information.



Alu-rails labelled with a saw symbol do not require further trimming.

**0980017-GB**

# Dual SafeTrack Options

## SafeTrack - Dual Arch

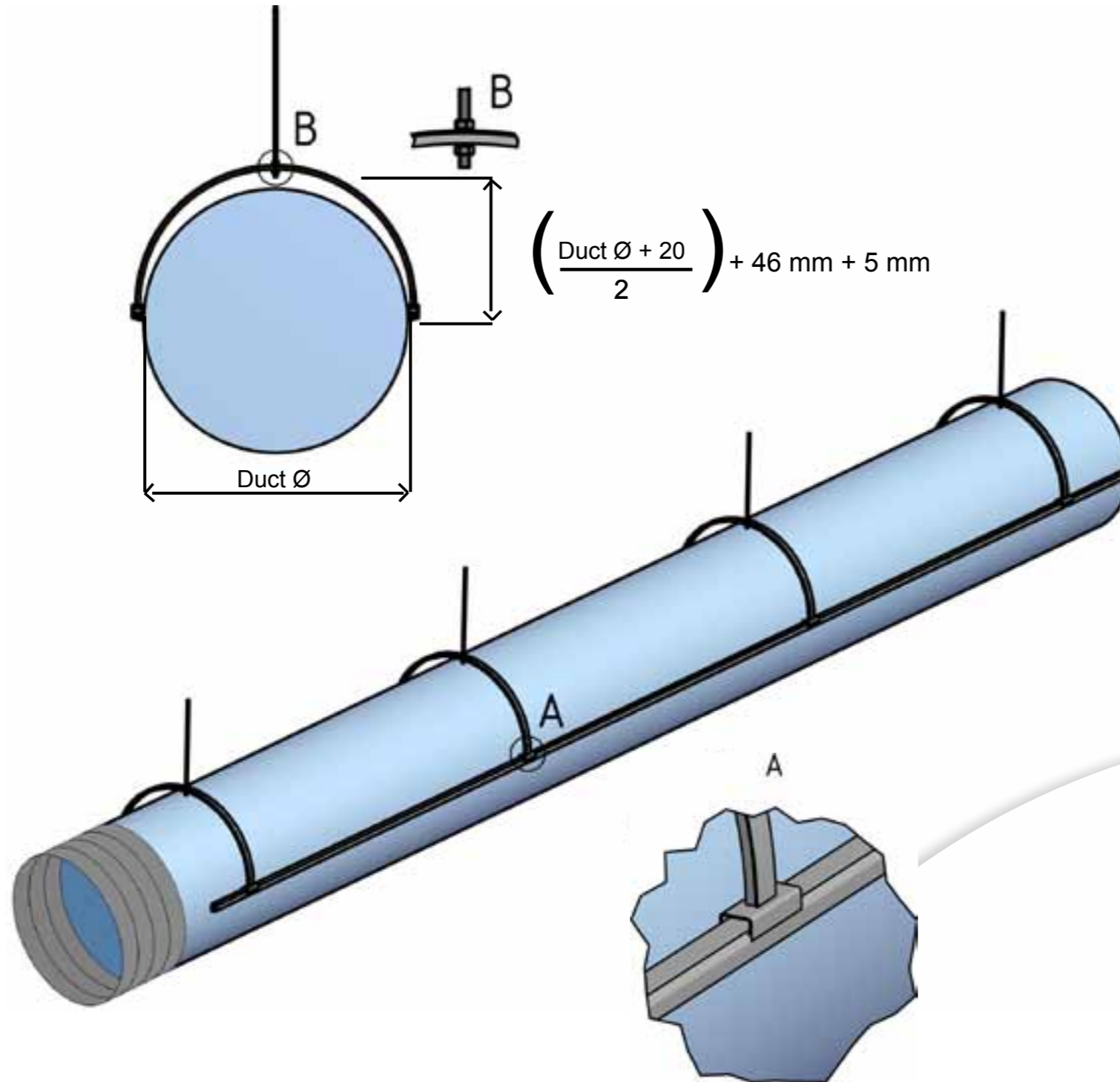
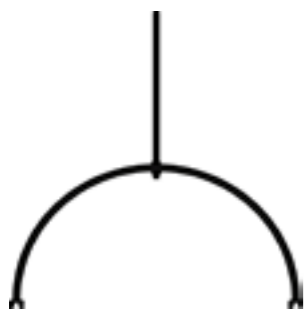
Ring



Eye bolt



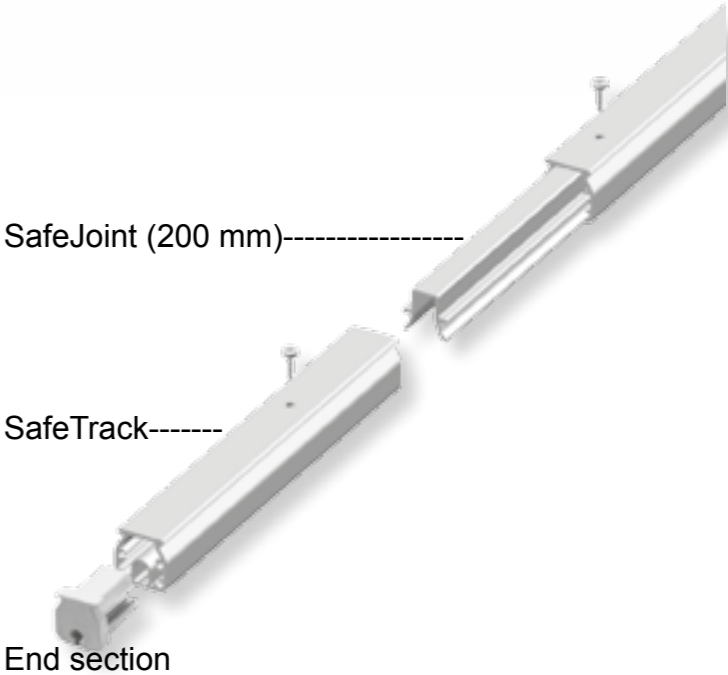
Thread bar



SafeJoint (200 mm)

SafeTrack

End section



Upon assembly, the SafeTrack is clicked into the alu-suspension.