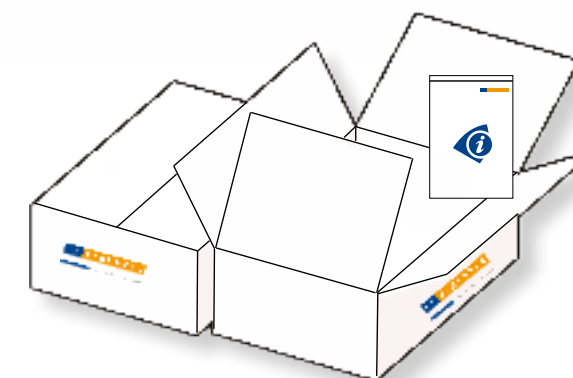
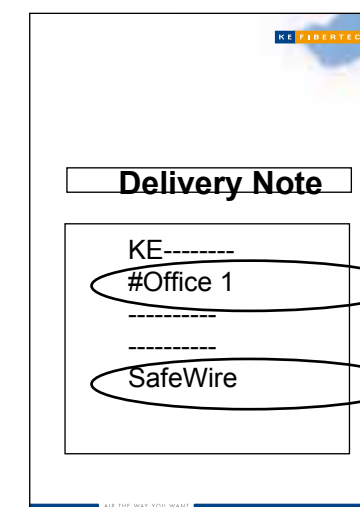


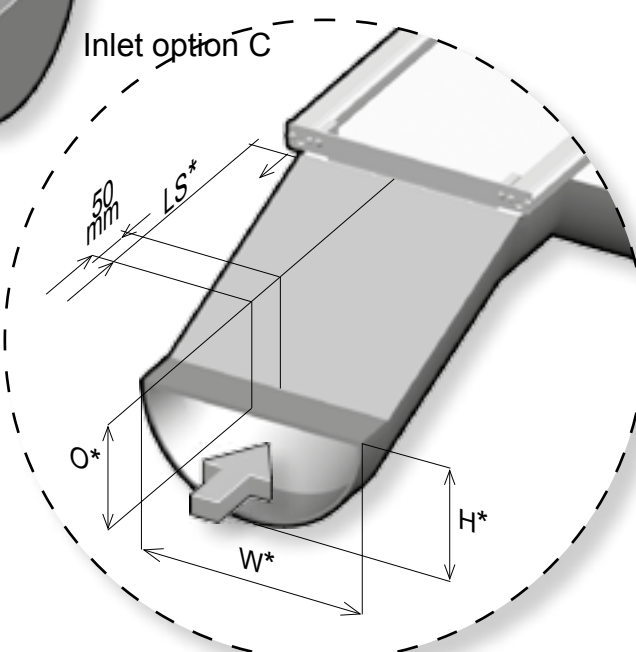
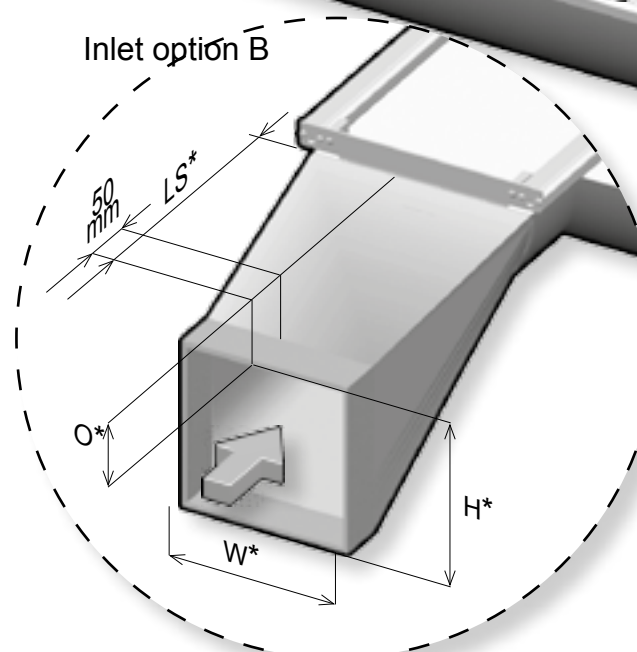
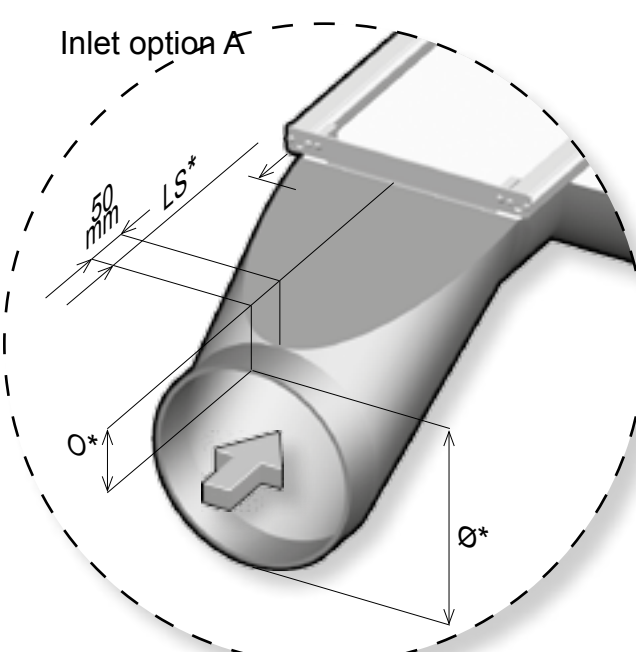
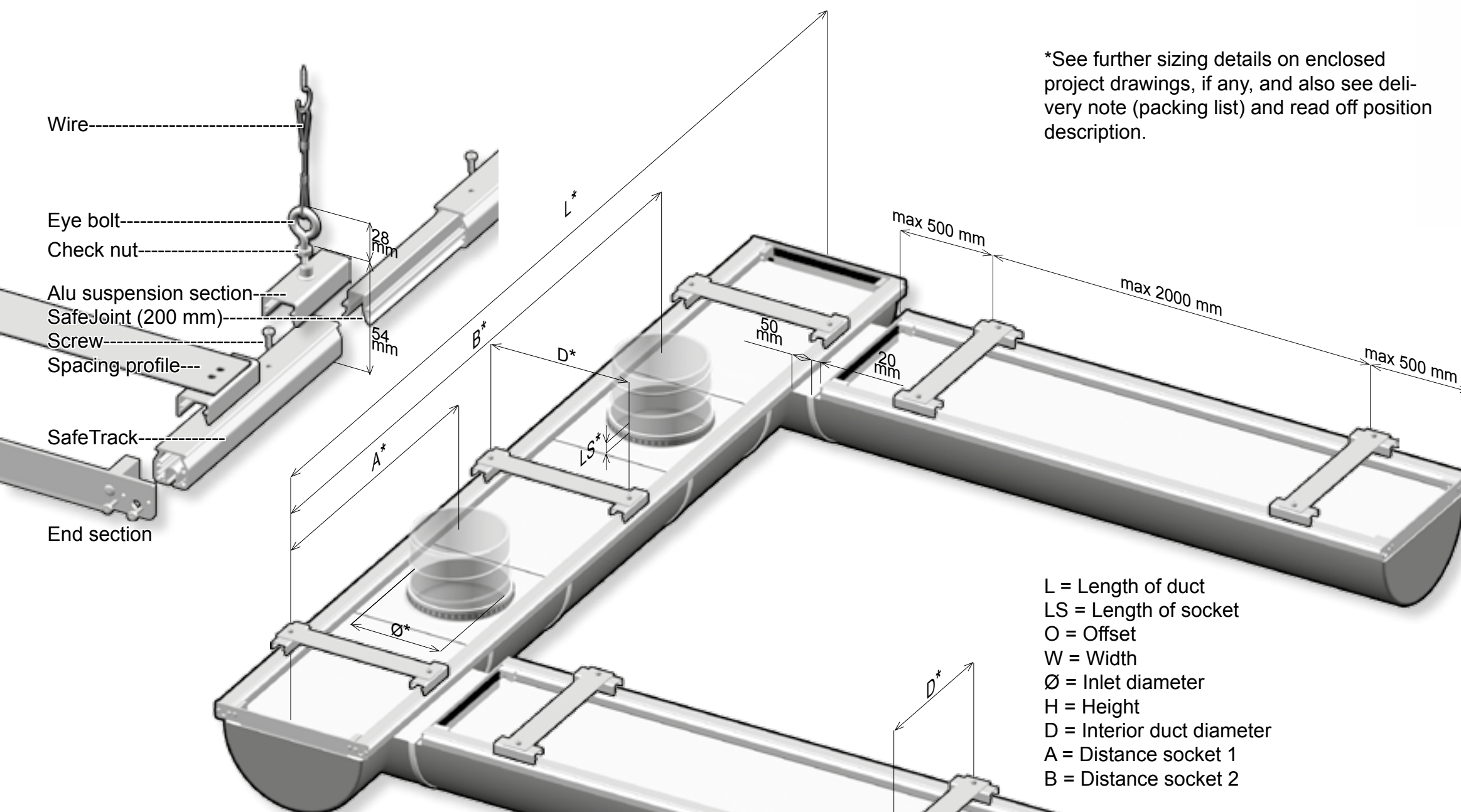
# D-SafeTrack (wire) General rules



Please find Information on delivery and installation in the box labelled INFO.



\*See further sizing details on enclosed project drawings, if any, and also see delivery note (packing list) and read off position description.



Alu-rails labelled with a saw symbol do not require further trimming.

**0980015-GB**





**1** Supports and spacing profiles are mounted on the ceiling; positioned in accordance to the location of inlet socket, duct start or duct bottom.

**2** Rails are clicked into holders (click/rotation is in one direction ONLY).

**3** End sections are to be mounted to rail ends (must be prior to mounting duct).

**4** KE Interior System is fed from box into rails (so as to keep duct clean!)

**5** ...and is pulled out at the same time.

**6** Mounting of clamp. Inlet sockets in duct roof are accessed via zippers.

**7** The 4 SafeLock expansion screws replace the former tightening cords. The SafeLock is inserted into the "keyhole" at the end of the SafeTrack and is tightened with a screwdriver (max. 5 rotations). It is important to fully insert the screw before tightening.

