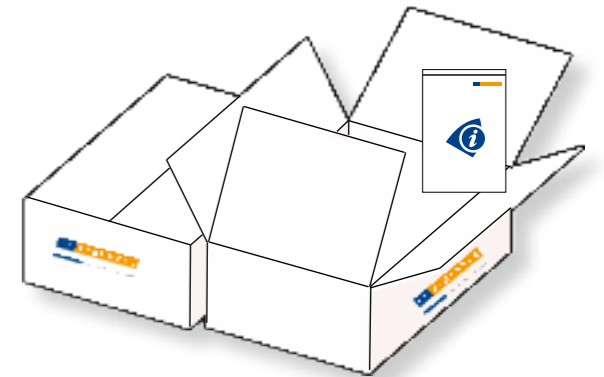
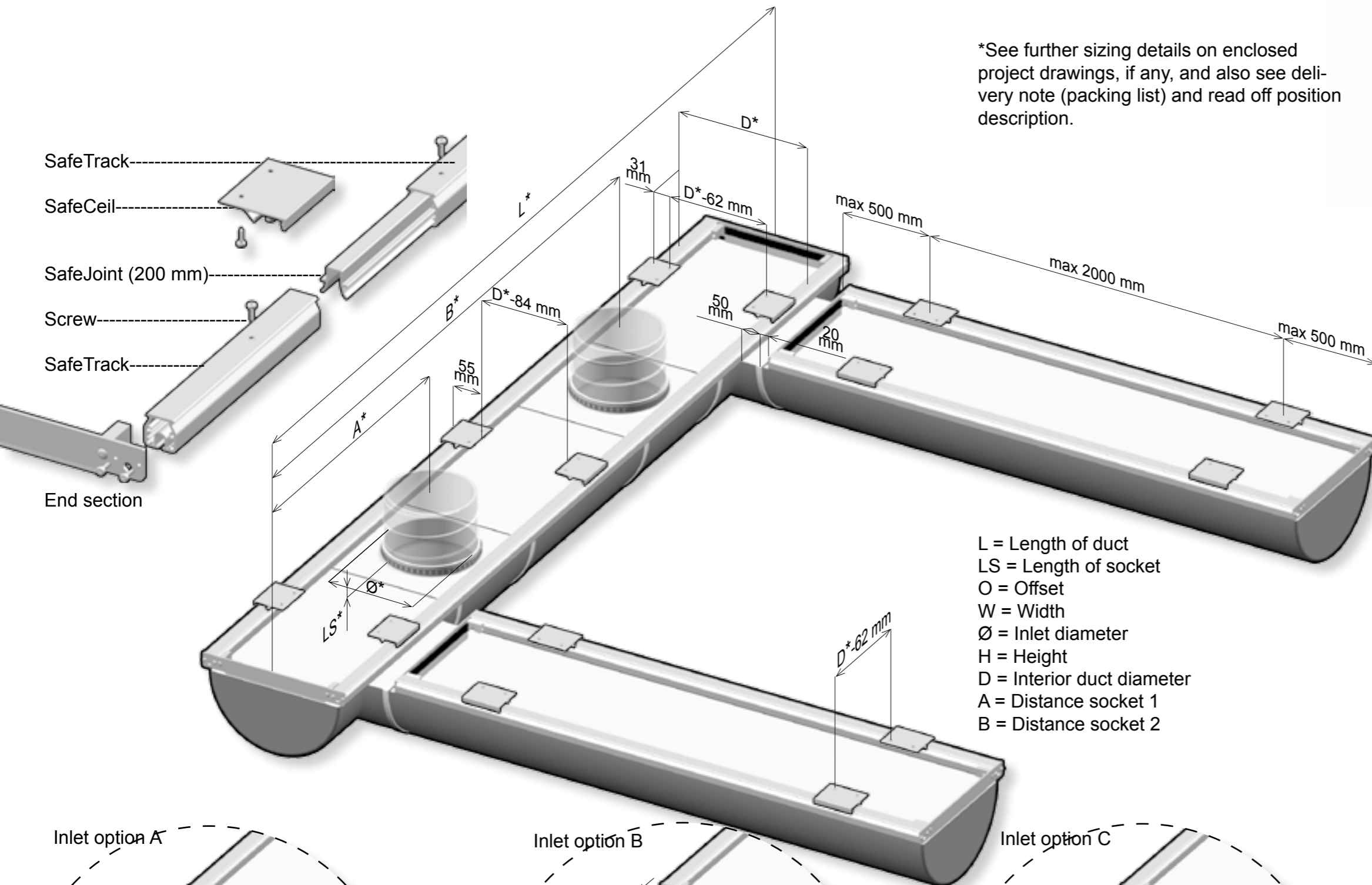


D-SafeTrack (SafeCeil) General rules

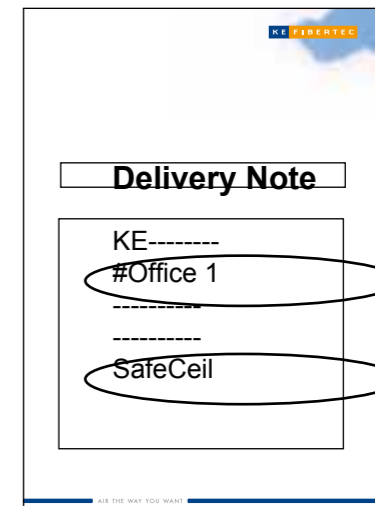
*See further sizing details on enclosed project drawings, if any, and also see delivery note (packing list) and read off position description.



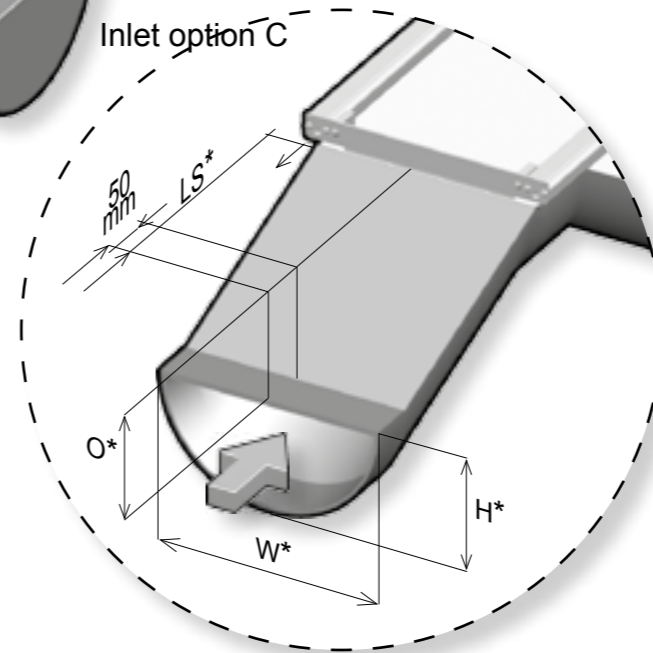
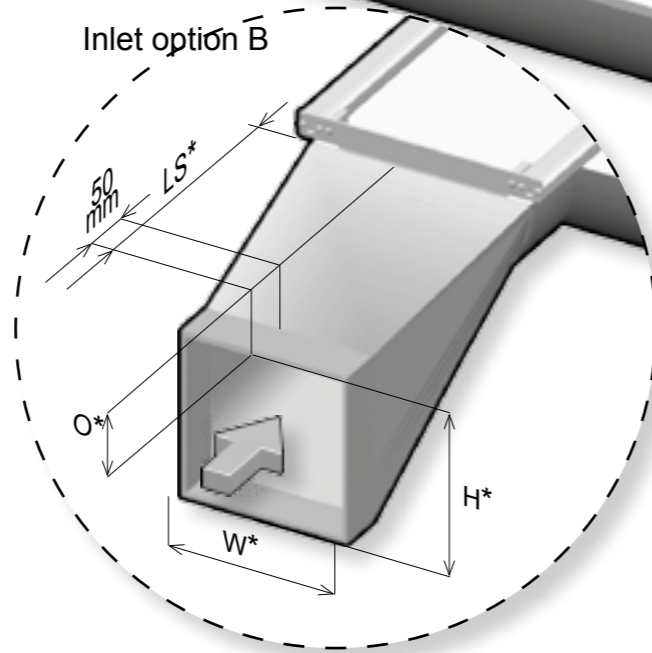
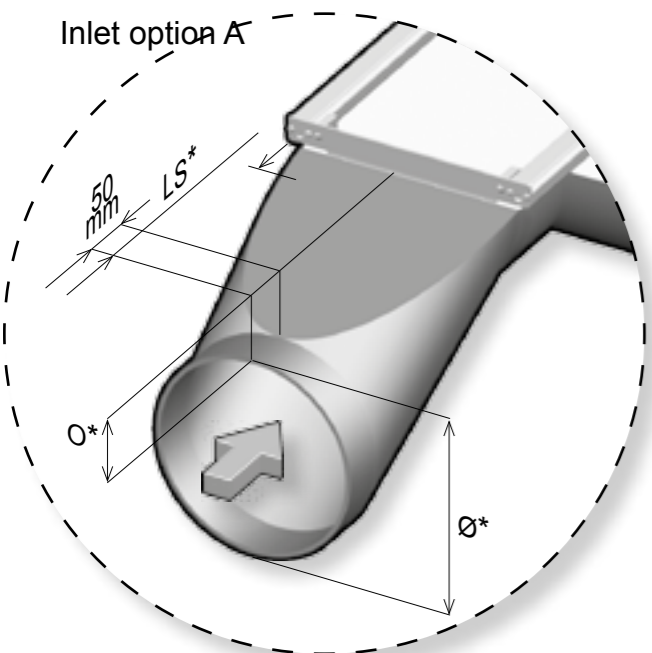
Please find Information on delivery and installation in the box labelled INFO.



- L = Length of duct
- LS = Length of socket
- O = Offset
- W = Width
- Ø = Inlet diameter
- H = Height
- D = Interior duct diameter
- A = Distance socket 1
- B = Distance socket 2



Room reference
Suspension type



Alu-rails labelled with a saw symbol do not require further trimming.

0980011-GB



1 SafeCeils are mounted on the ceiling; positioned in accordance to the location of inlet socket, duct start or duct bottom.

2 Rails are clicked into SafeCeils (click/rotation is in one direction ONLY).

3 End sections are to be mounted to rail ends (must be prior to mounting duct).

4 KE Interior System is fed from box into rails (so as to keep duct clean!)

5 ...and is pulled out at the same time.

6 Mounting of clamp. Inlet sockets in duct roof are accessed via zippers.

7 The 4 SafeLock expansion screws replace the former tightening cords. The SafeLock is inserted into the "keyhole" at the end of the SafeTrack and is tightened with a screwdriver (max. 5 rotations). It is important to fully insert the screw before tightening.

