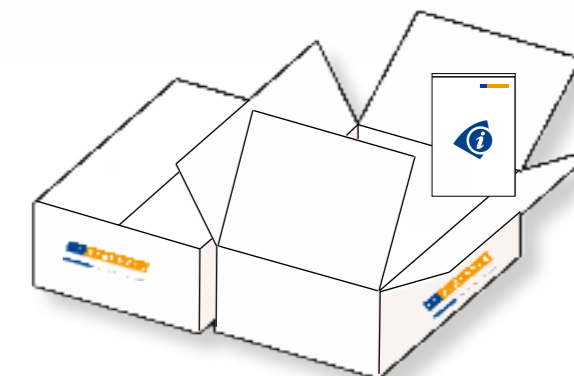


Double suspension

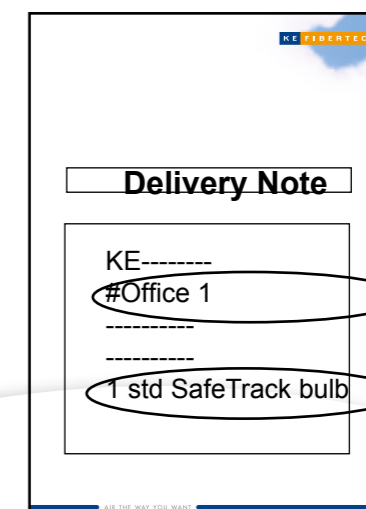
2 std SafeTrack bulbs

*See further sizing details on enclosed project drawings, if any, and also see delivery note (packing list) and read off position description.

SafeTrack General rules

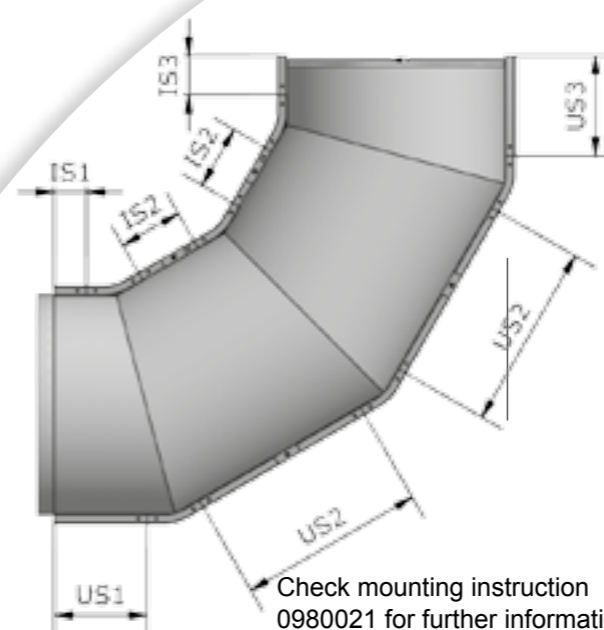
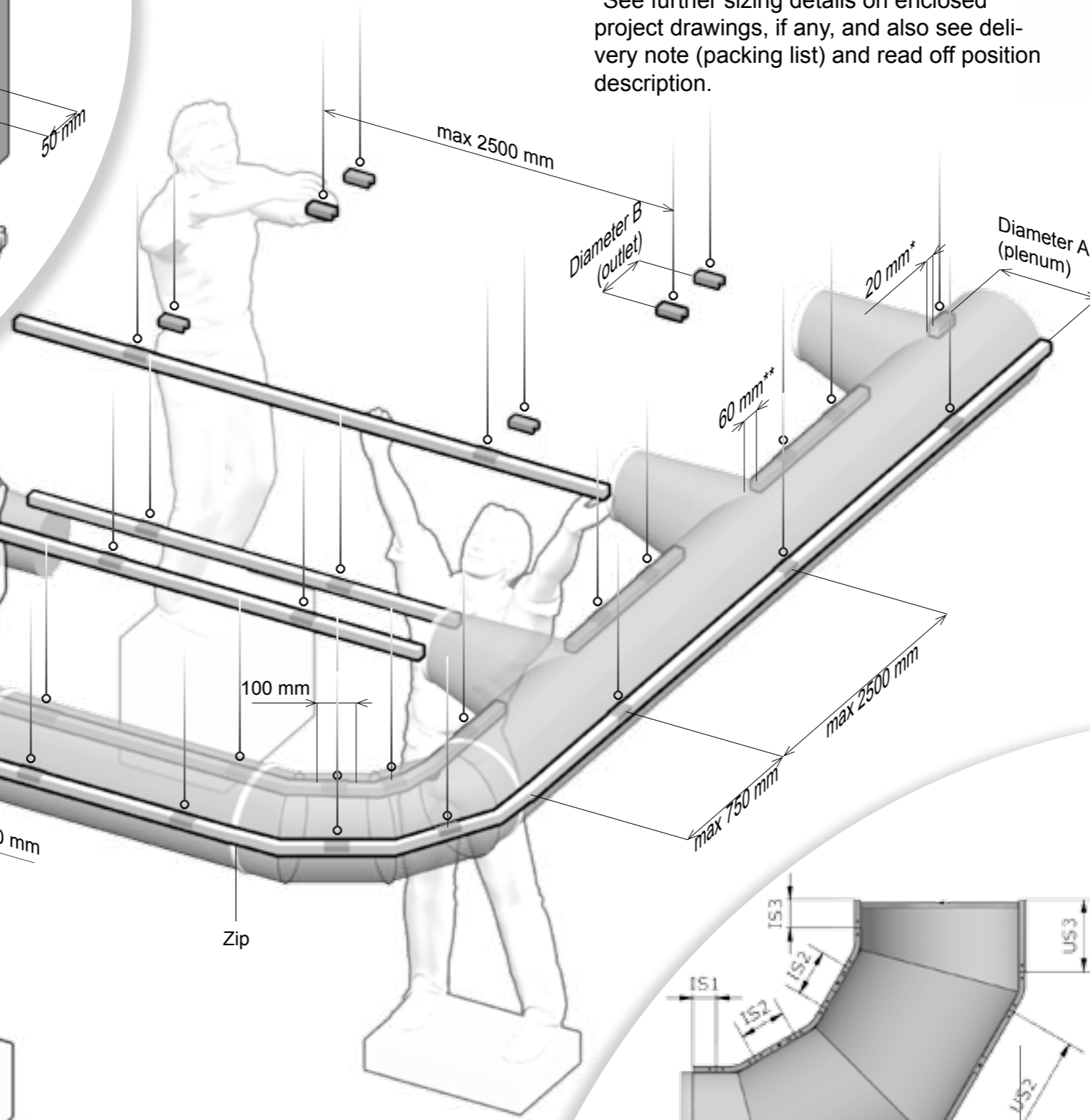
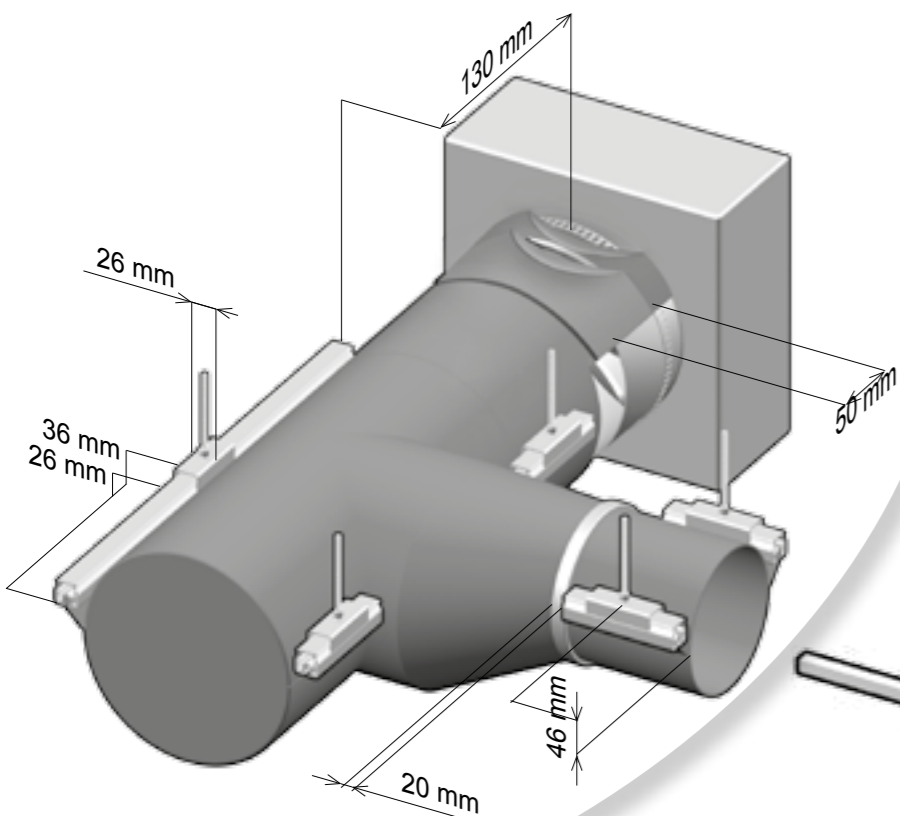


Please find information on delivery and installation in the box labelled INFO.



Alu-rails labelled with a saw symbol do not require further trimming.

0980006-GB
AIR THE WAY YOU WANT



Check mounting instruction 0980021 for further information.



* 20 mm "externally" between end of SafeTrack and side of outlet socket

** 60 mm "internally" between end of SafeTrack and side of outlet socket

Please note that some relevant information may be on the reverse side

Starting point of dimensioning

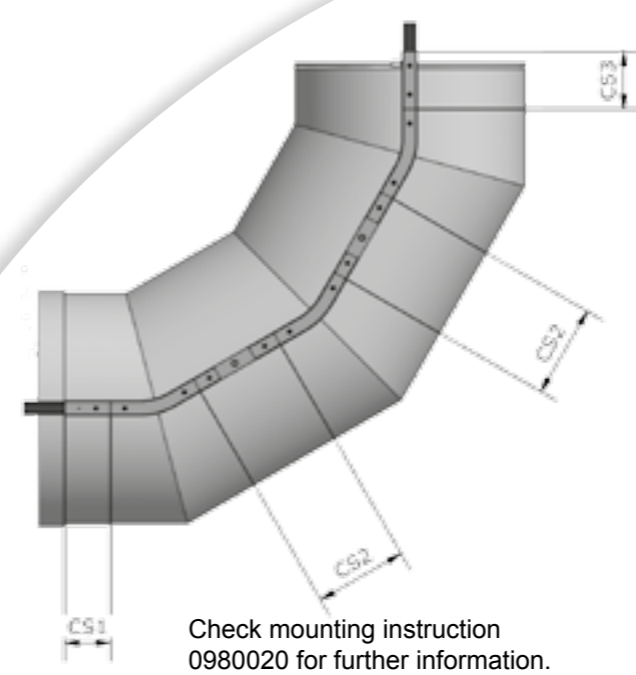
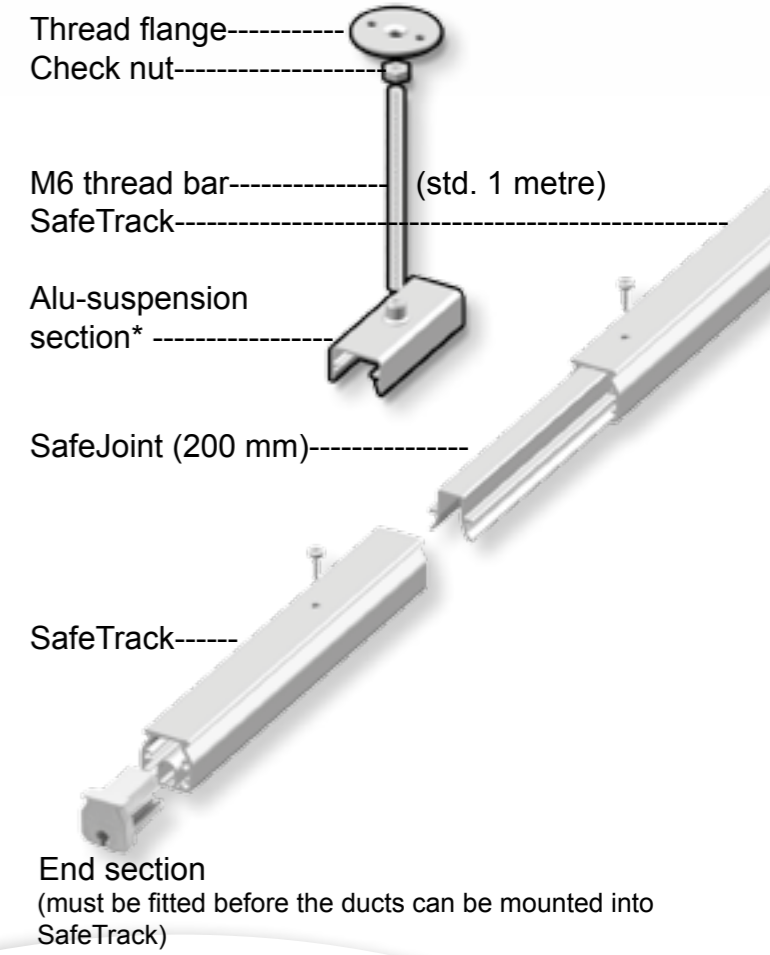
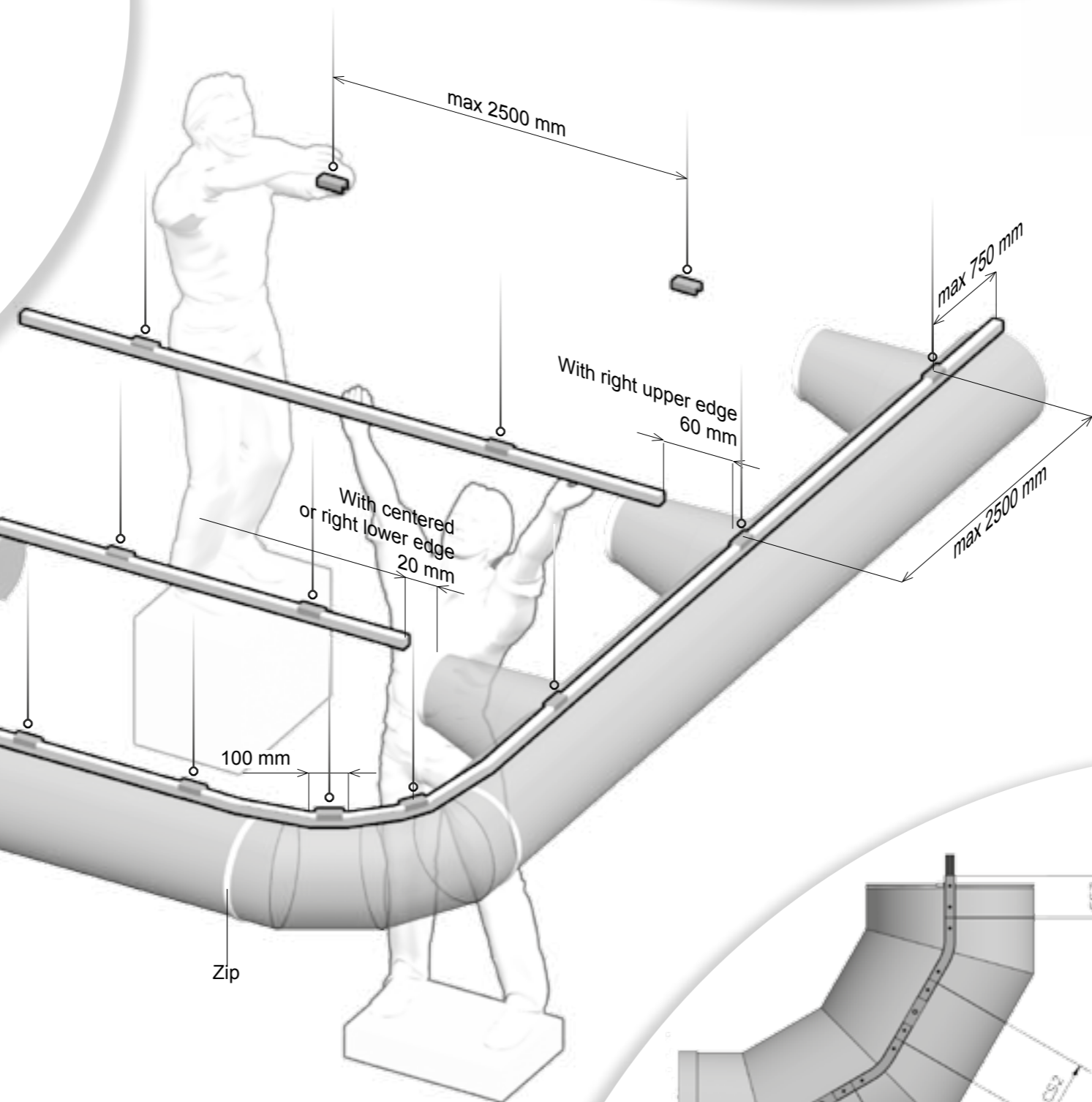
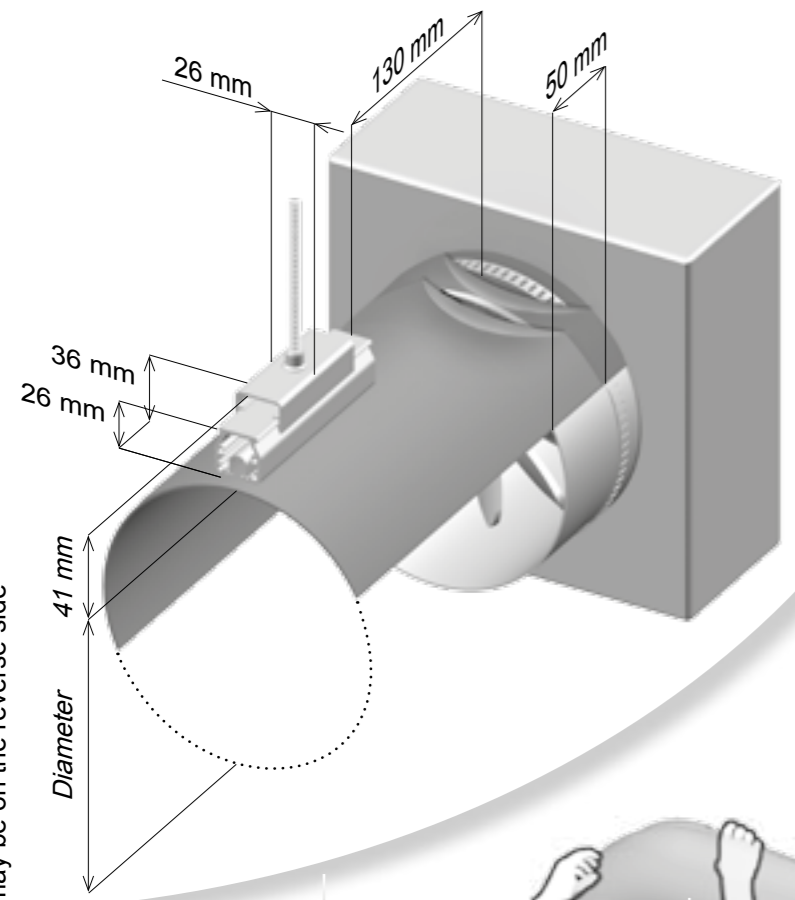
Clamp

Zip

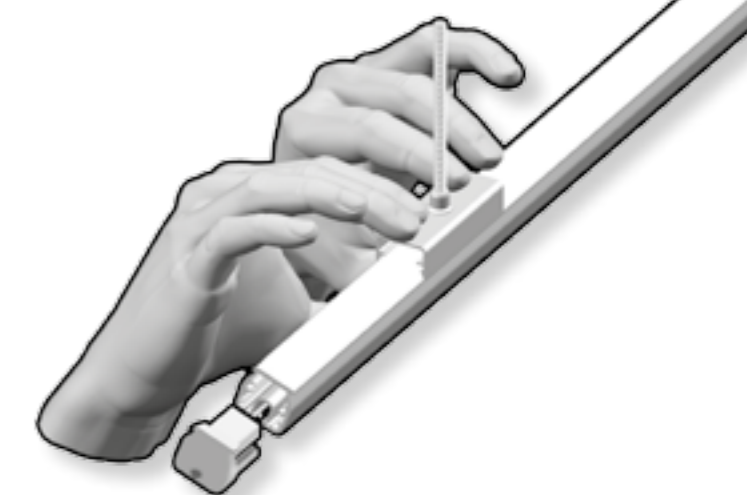
Single Suspension

1 std SafeTrack bulb

SafeGevind StrapUp (M6)



Check mounting instruction 0980020 for further information.



Upon assembly, the SafeTrack is clicked into the alu-suspension.

*The alu-suspension sections supplied should be spaced out evenly for a given duct section. Check packing list for quantities.

Please note that some relevant information may be on the reverse side

Clamp

Starting point of dimensioning

Zip