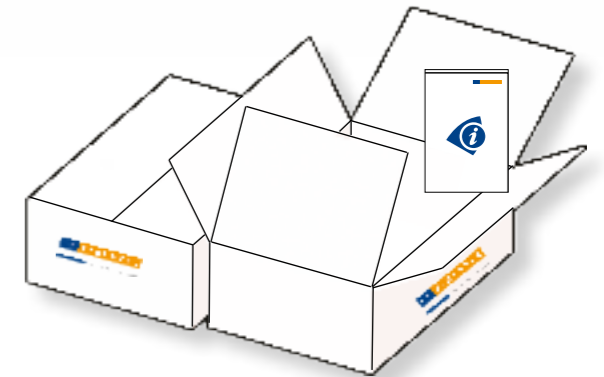


# Double suspension

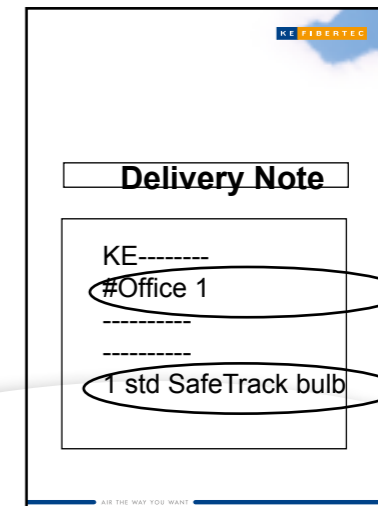
2 std SafeTrack bulbs

\*See further sizing details on enclosed project drawings, if any, and also see delivery note (packing list) and read off position description.

# SafeTrack General rules



Please find information on delivery and installation in the box labelled INFO.

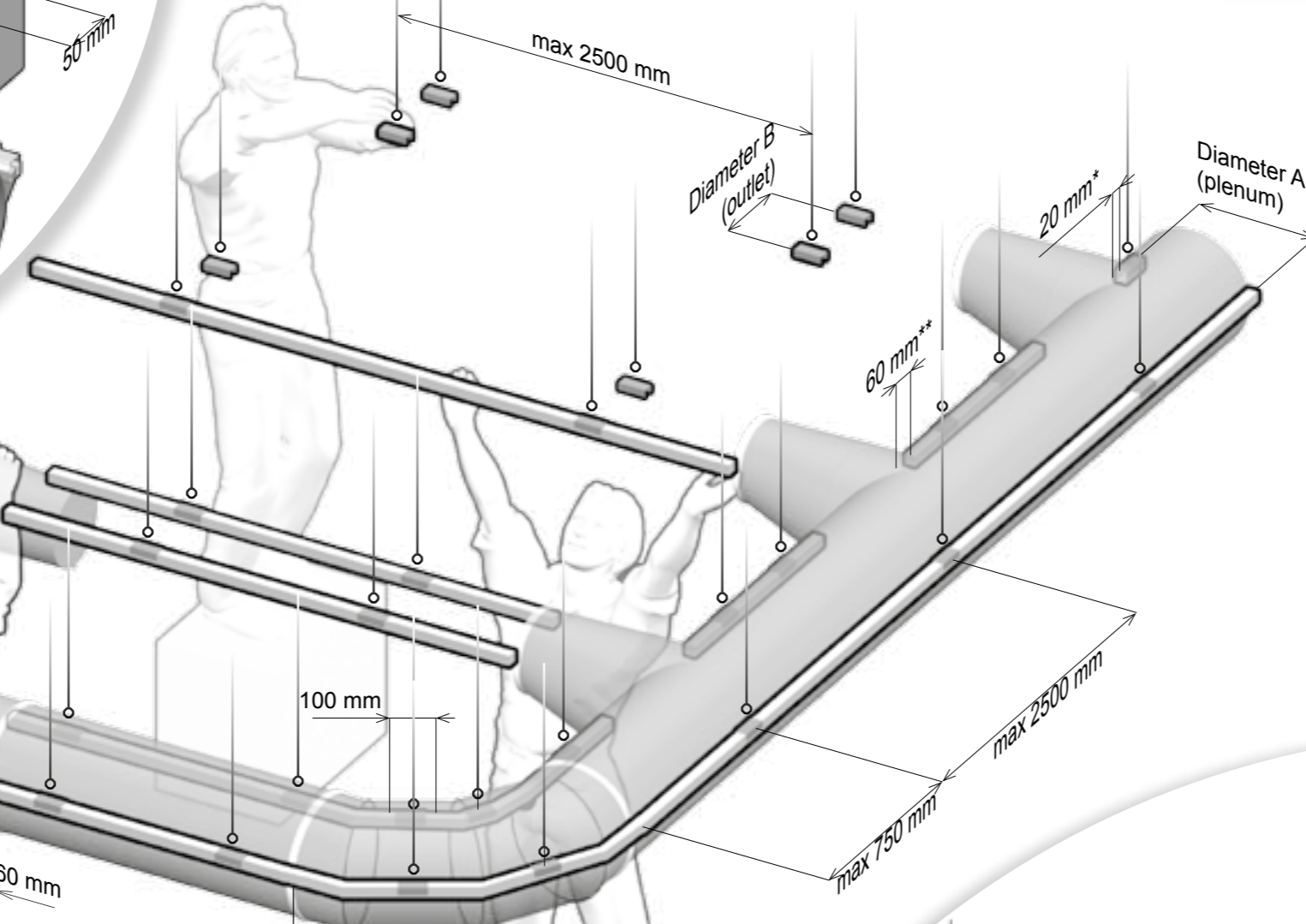
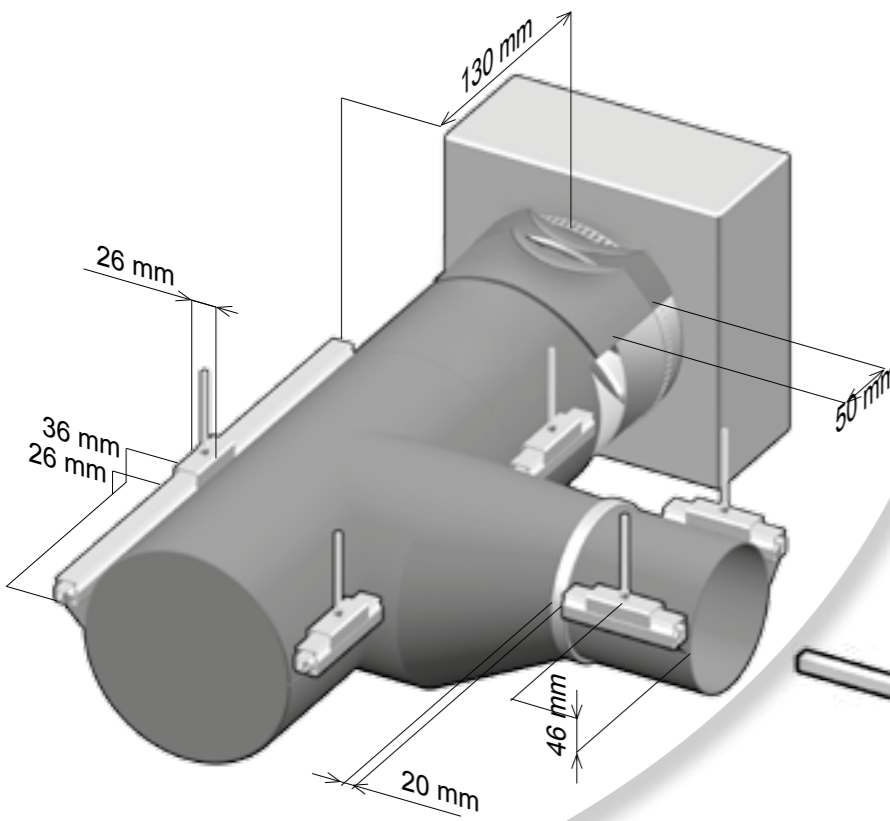


Room reference

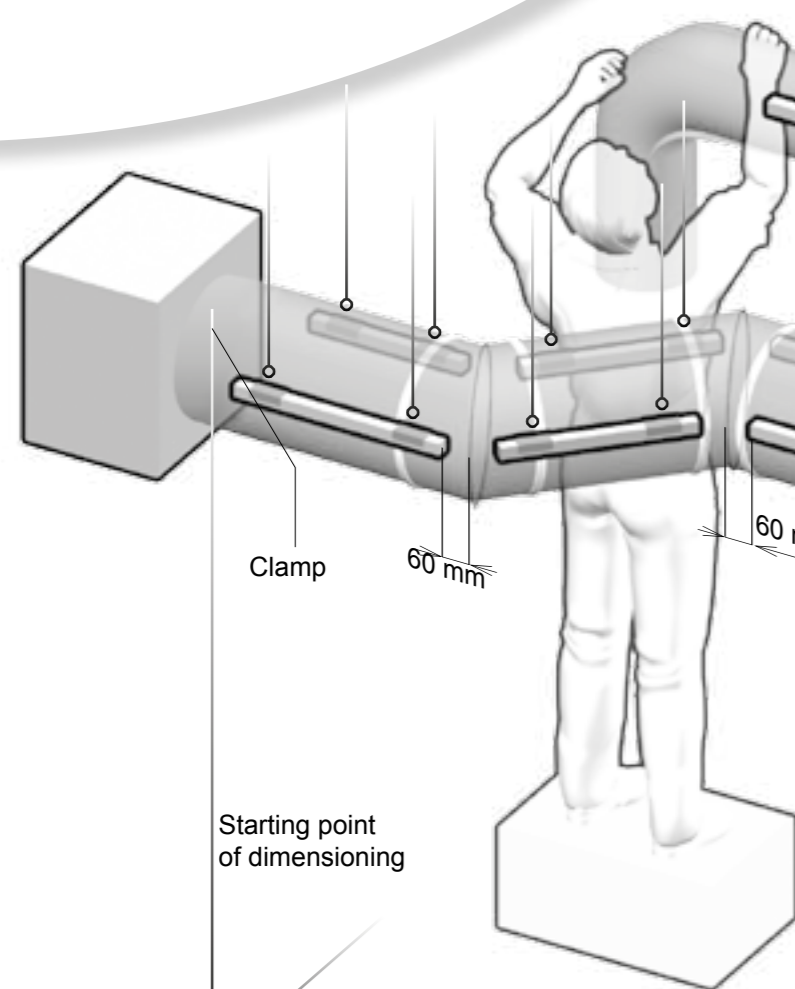
Suspension type

Alu-rails labelled with a saw symbol do not require further trimming.

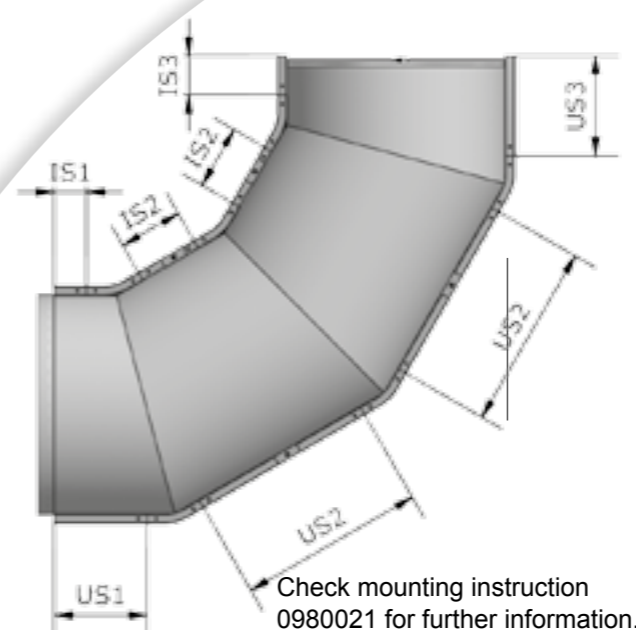
**0980004-GB**



Please note that some relevant information may be on the reverse side



\* 20 mm "externally" between end of SafeTrack and side of outlet socket  
 \*\* 60 mm "internally" between end of SafeTrack and side of outlet socket



Check mounting instruction 0980021 for further information.

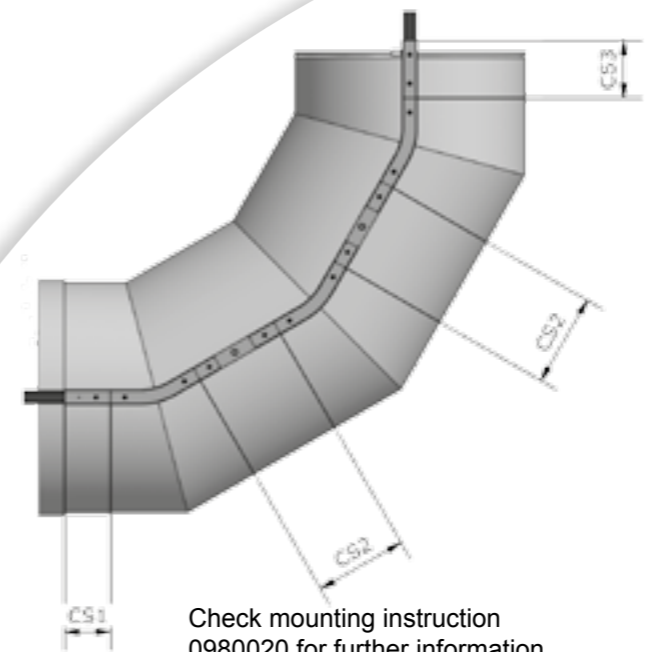
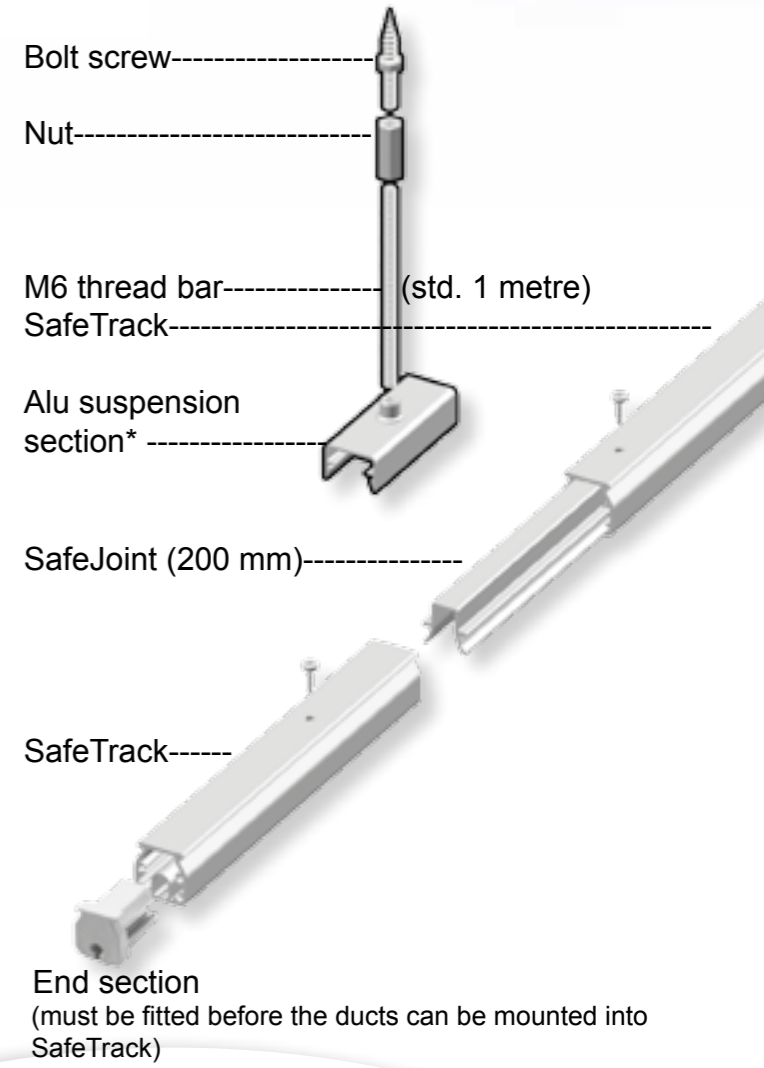
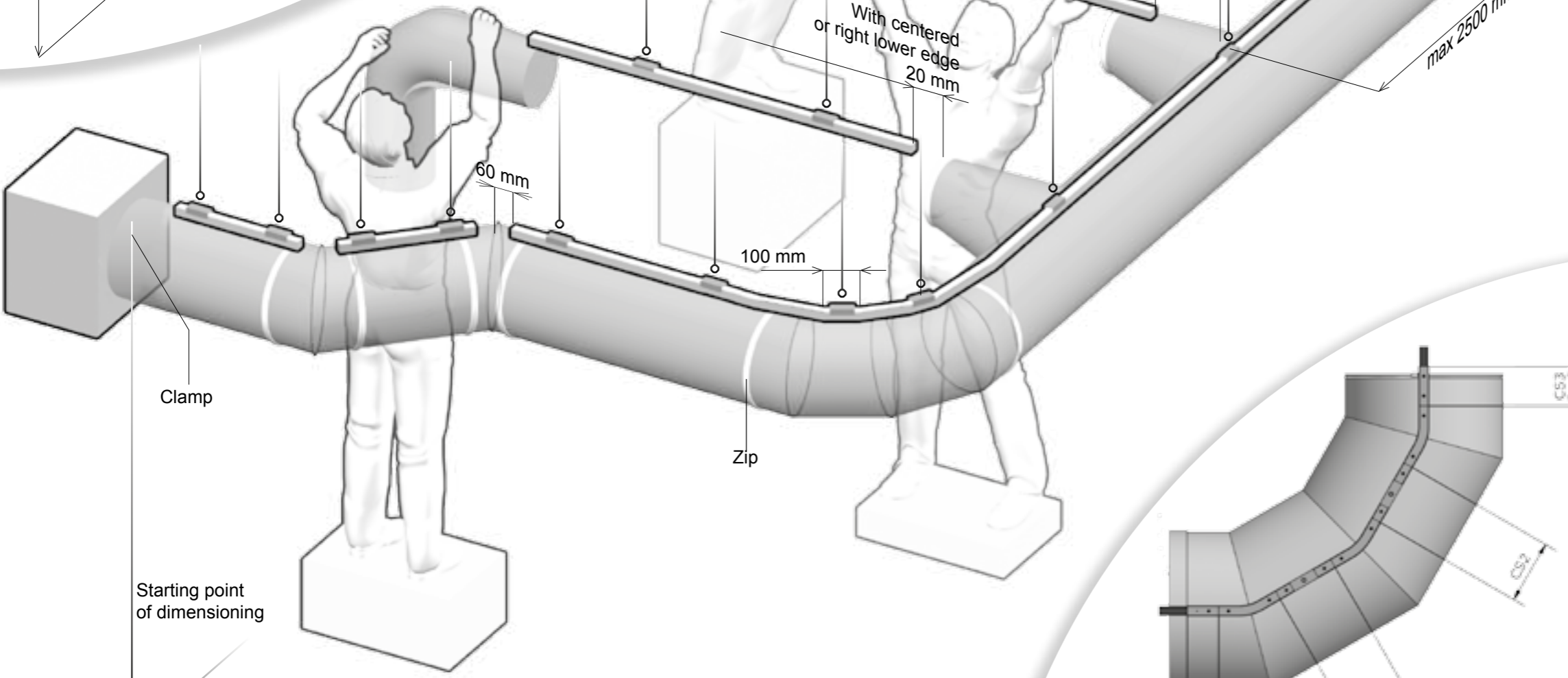
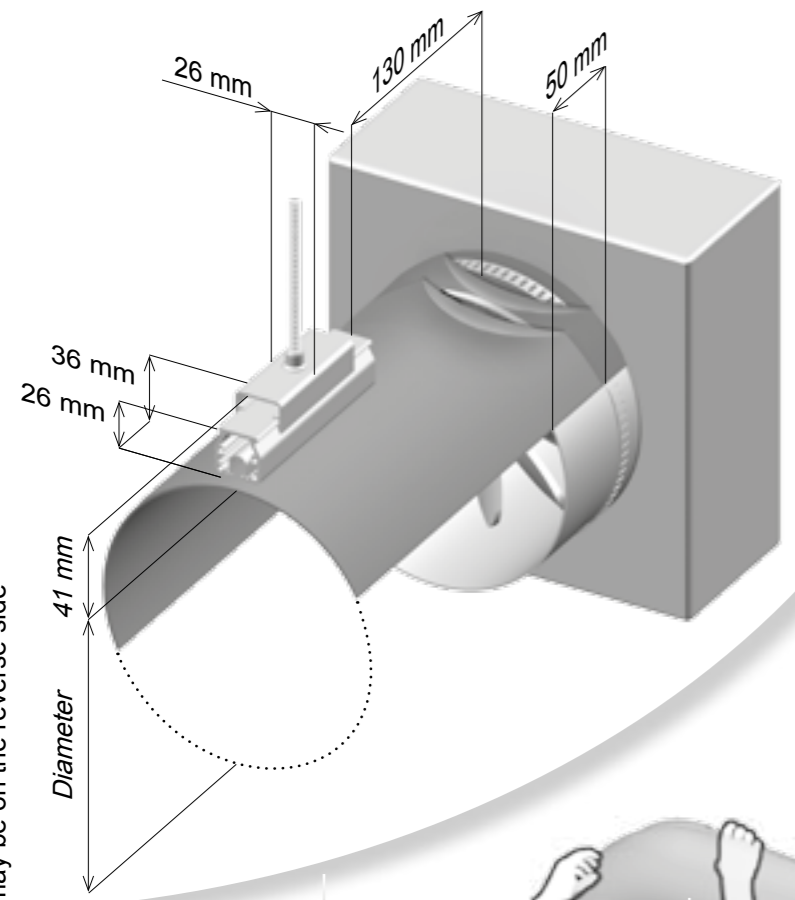


# Single Suspension

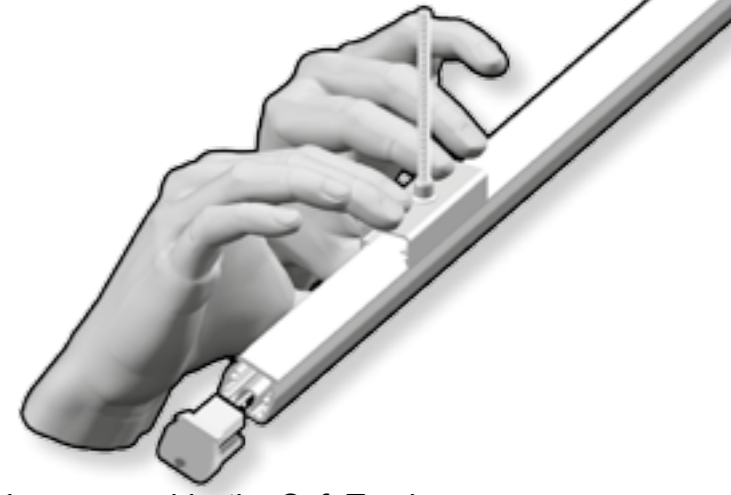
1 std SafeTrack bulb

## SafeGevind StrapUp

Please note that some relevant information may be on the reverse side



Check mounting instruction 0980020 for further information.



Upon assembly, the SafeTrack is clicked into the alu-suspension.

\*The alu-suspension sections supplied should be spaced out evenly for a given duct section. Check packing list for quantities.