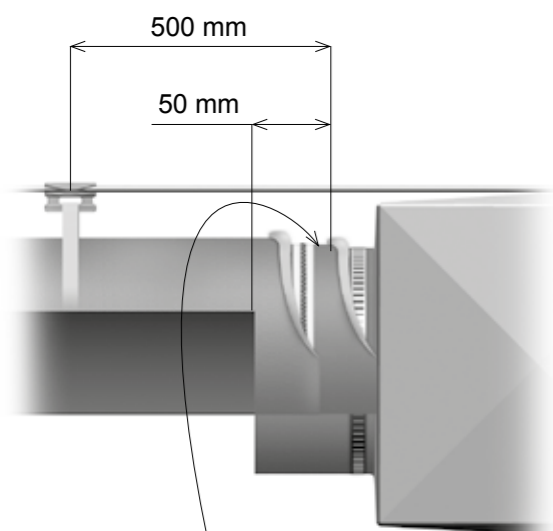


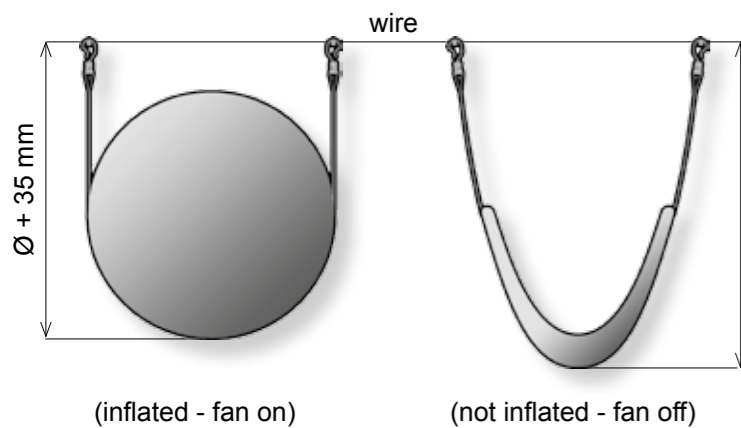
Double suspension

2 rows of SafeClips



KE-label (always pointing upper-most)

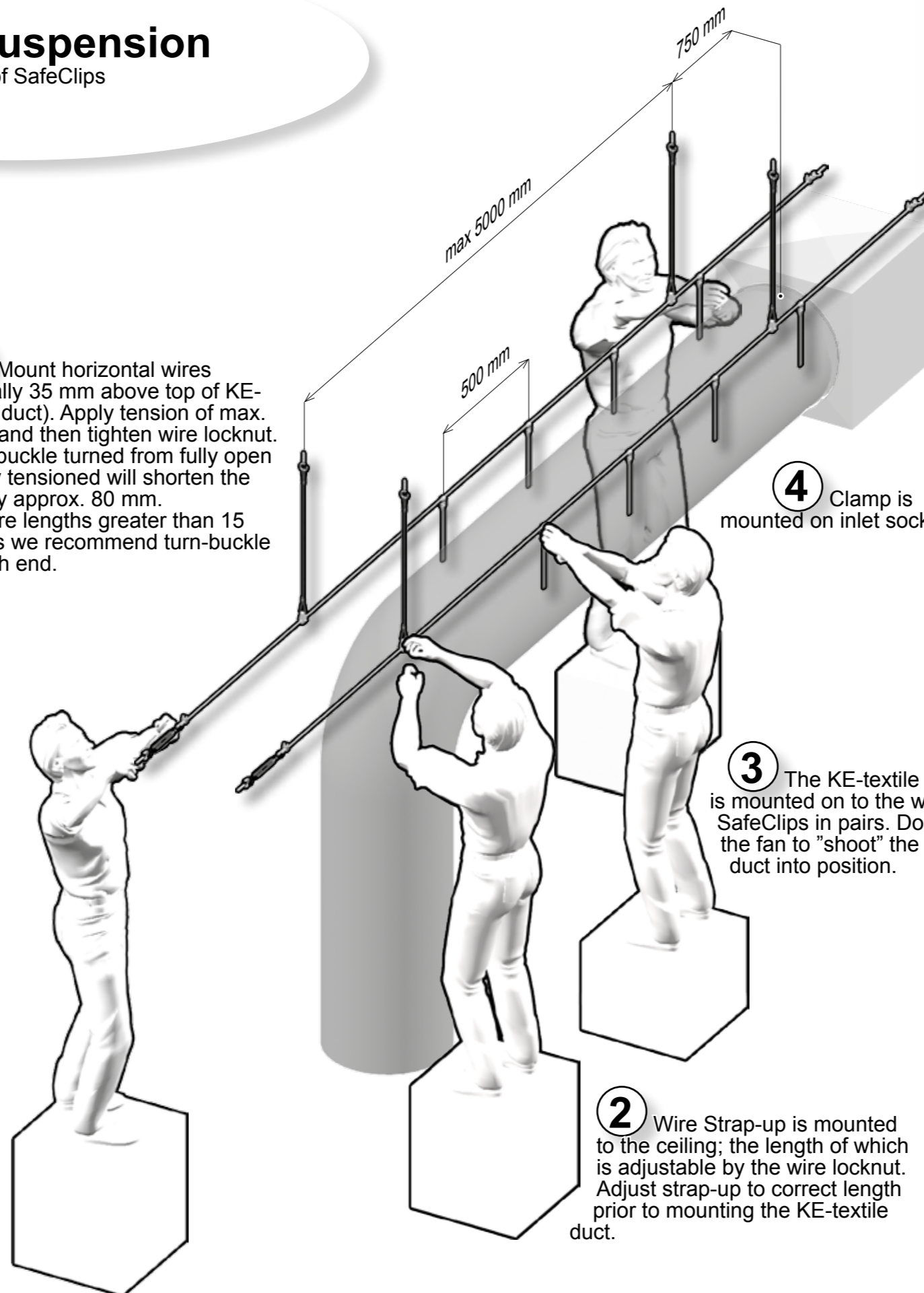
The length of the SafeClips is stated on the delivery note. Standard clip length is $\frac{1}{2} \times \varnothing + 35$ mm.



(inflated - fan on)

(not inflated - fan off)

1 Mount horizontal wires (typically 35 mm above top of KE-textile duct). Apply tension of max. 20 kg and then tighten wire locknut. A turnbuckle turned from fully open to fully tensioned will shorten the wire by approx. 80 mm. For wire lengths greater than 15 metres we recommend turn-buckle at each end.

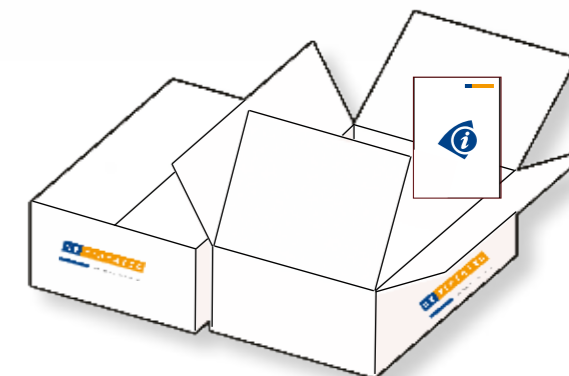


4 Clamp is mounted on inlet socket.

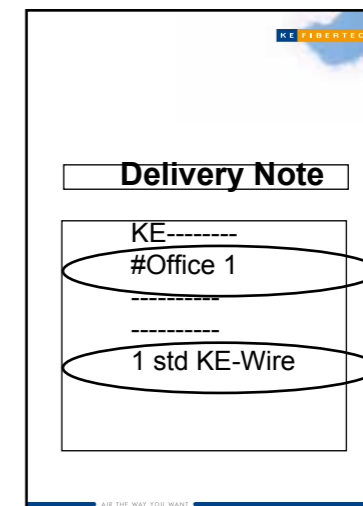
3 The KE-textile duct is mounted on to the wire by SafeClips in pairs. Do not use the fan to "shoot" the textile duct into position.

2 Wire Strap-up is mounted to the ceiling; the length of which is adjustable by the wire locknut. Adjust strap-up to correct length prior to mounting the KE-textile duct.

KE-Wire General rules



Please find information on delivery and installation in the box labelled INFO.




Room reference

Suspension type

Single suspension

1 row of SafeClips



Begin by comparing the contents of the box against the delivery note (packing list).

You will need: Wire cutter, adjustable spanner.

Not included: Screws/ hooks for wall and ceiling fixing.

