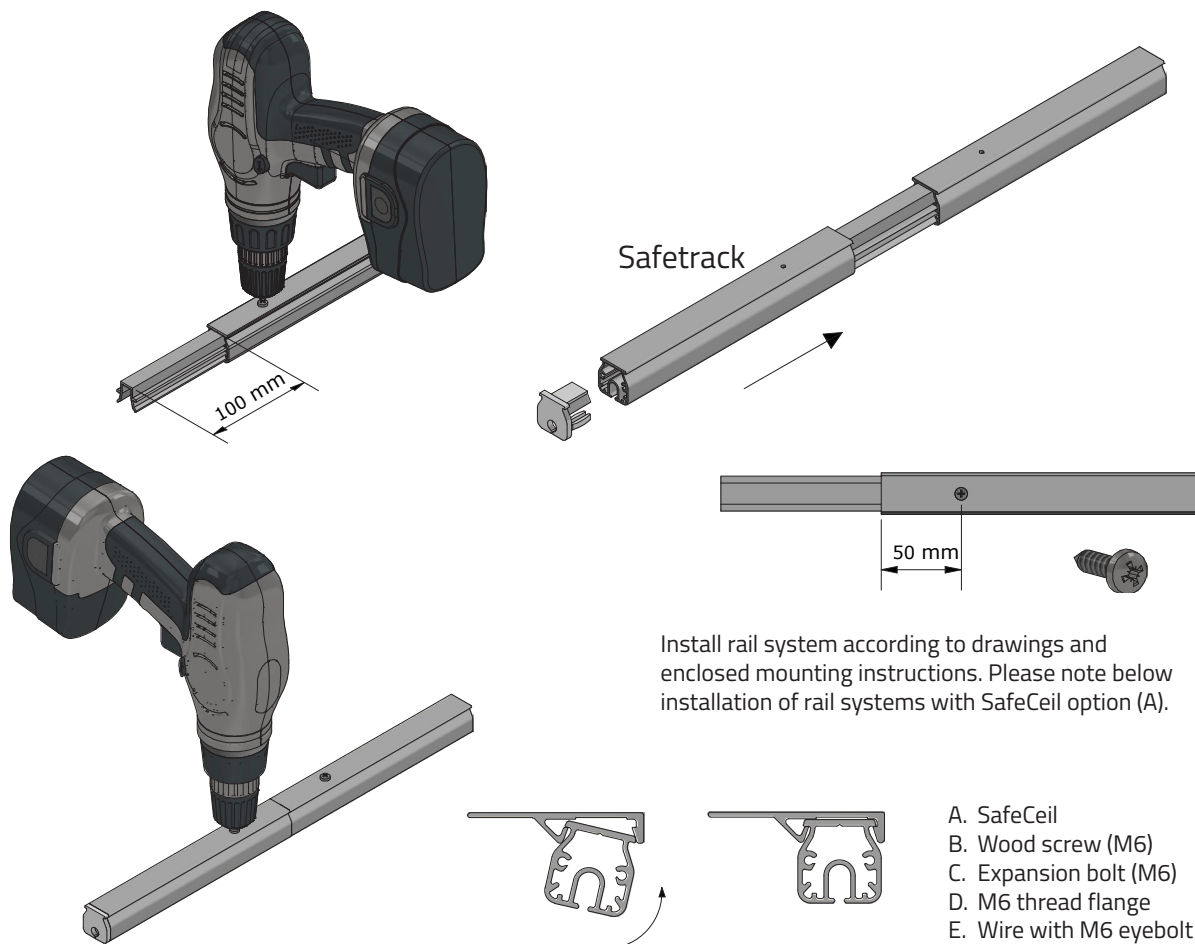


Safetrack Suspension Options

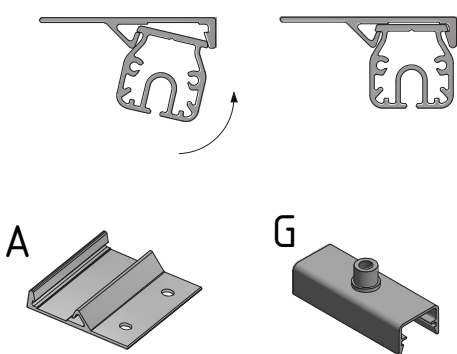
OS-0004-GB-05



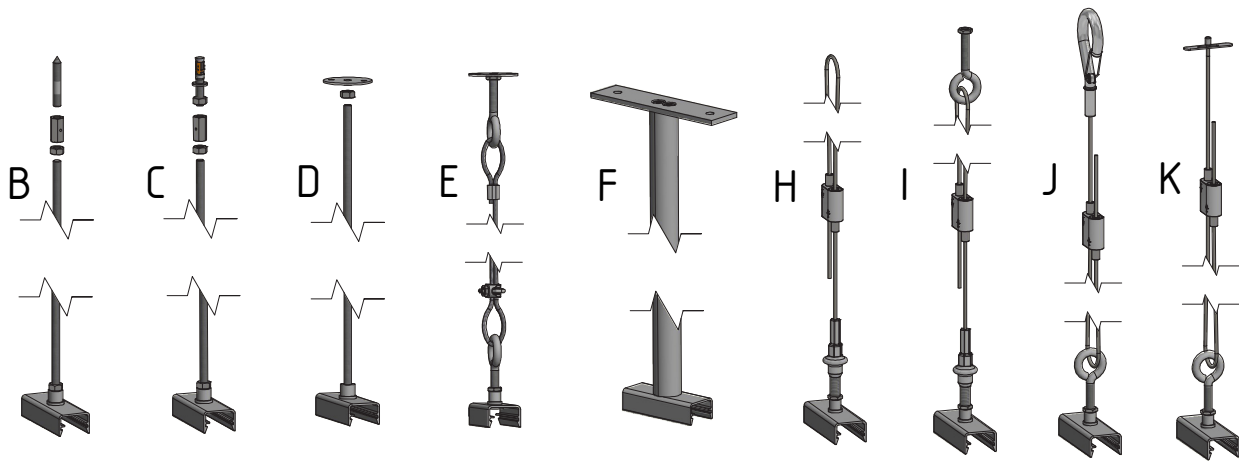
Install rail system according to drawings and enclosed mounting instructions. Please note below installation of rail systems with SafeCeil option (A).

Suspension type

Refer to the delivery note for chosen suspension type.



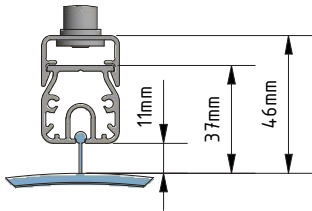
- A. SafeCeil
- B. Wood screw (M6)
- C. Expansion bolt (M6)
- D. M6 thread flange
- E. Wire with M6 eyebolt
- F. SafeStrapUp (M6)
- G. M8 Alu
- Smart-Adjust StrapUp:**
- H. M6
- I. M6 eyebolt
- J. Hook
- K. Zinc plate



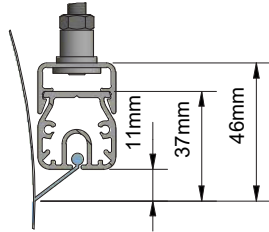
Safetrack, Triple Suspension

OS-0005-GB-03

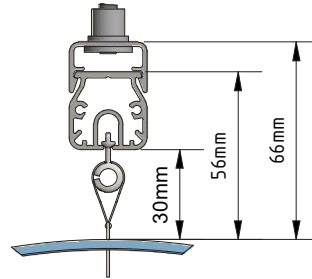
SafeBulb (12 o'clock)



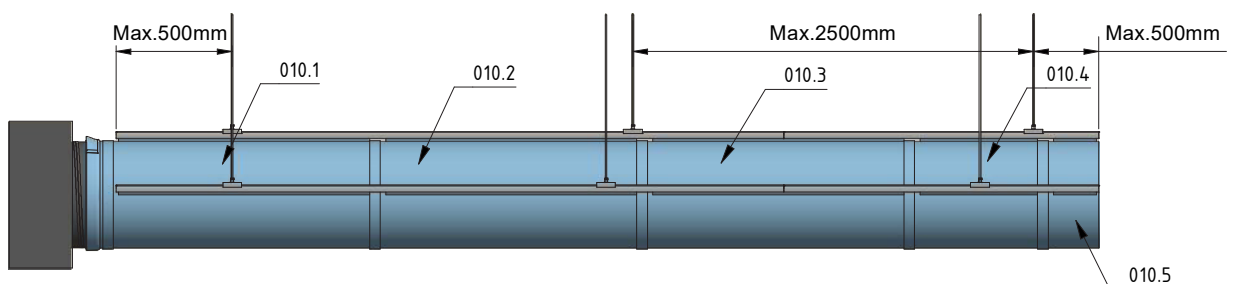
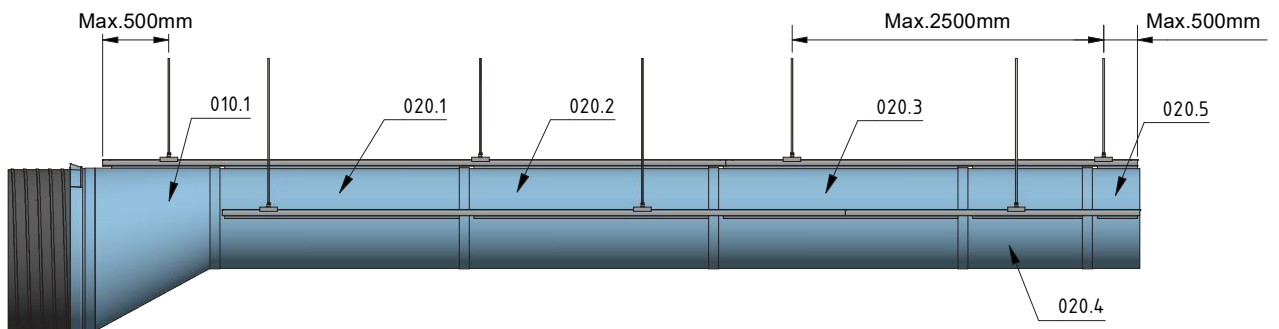
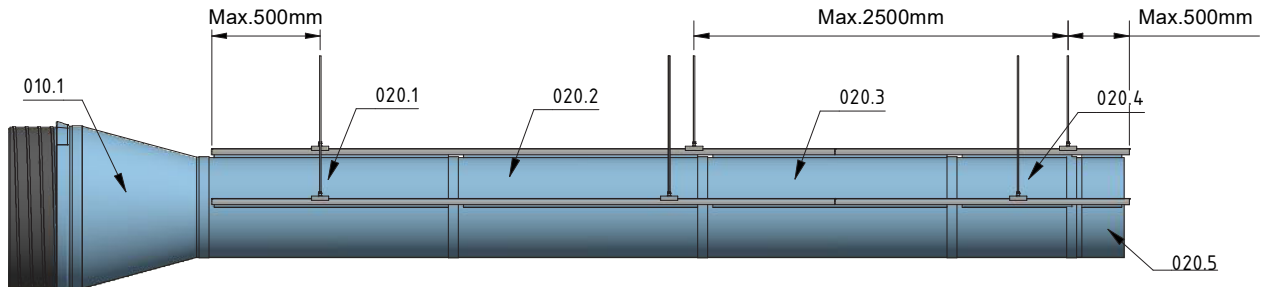
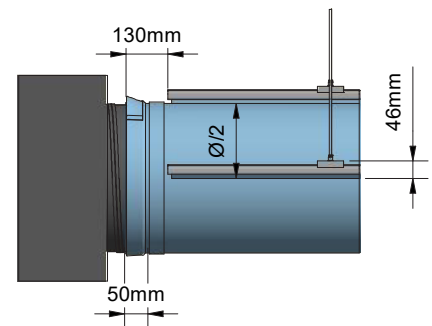
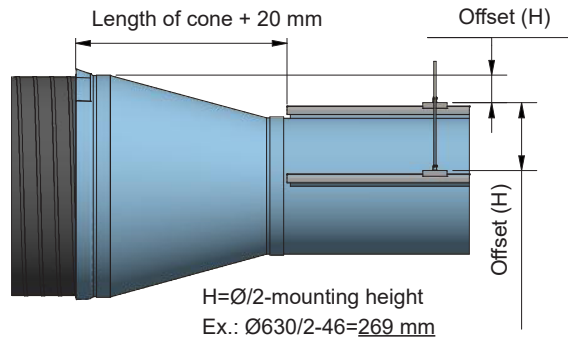
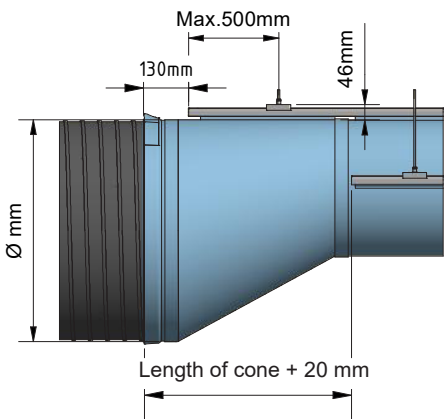
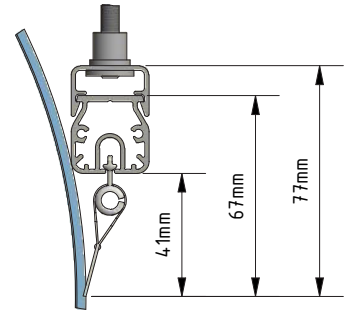
SafeBulb (3 and 9 o'clock)



SafeSlider (12 o'clock)

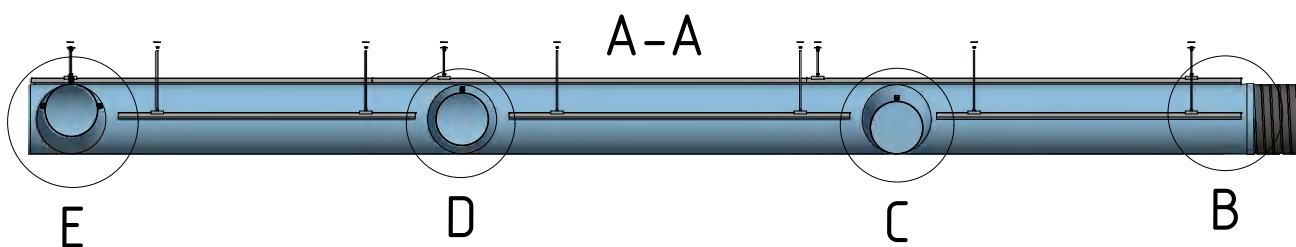
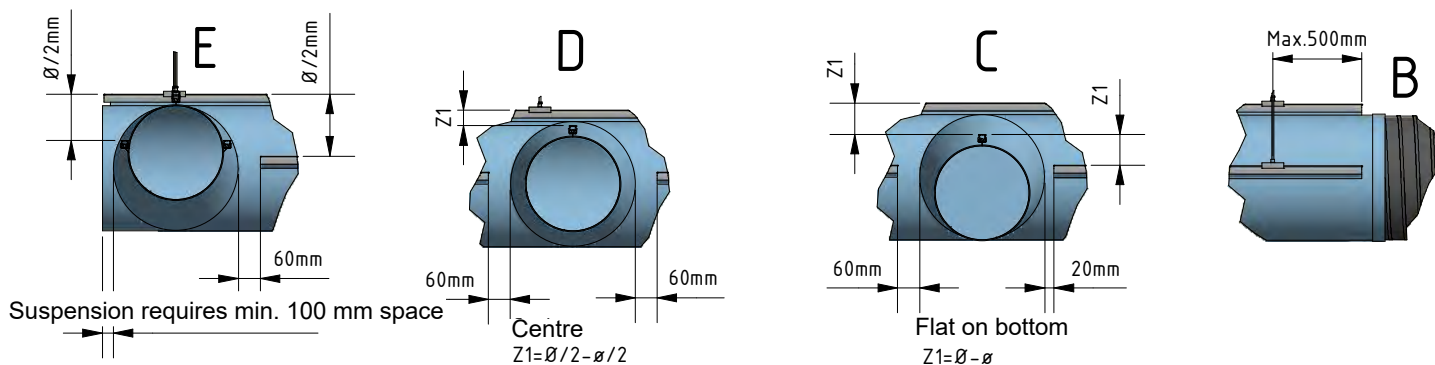


SafeSlider (3 and 9 o'clock)



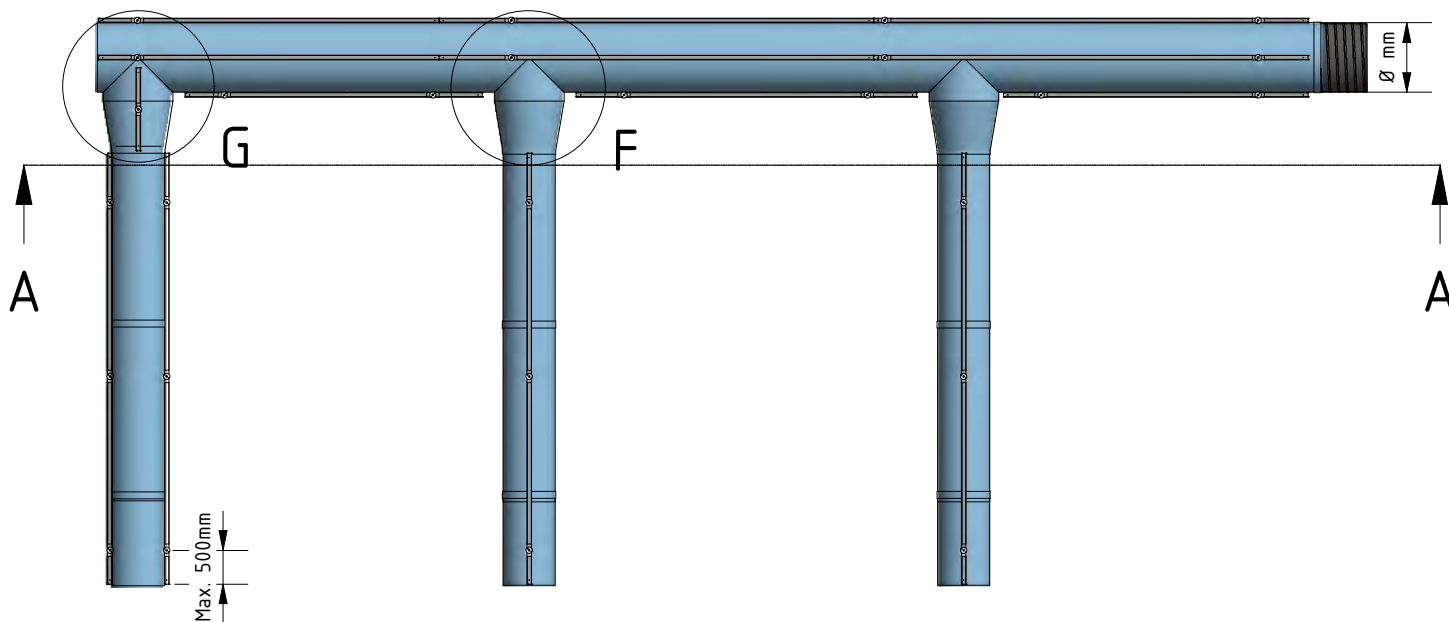
Safetrack, Plenum, Triple Suspension

OS-0006-GB-03



For ducts flat on bottom: Height difference Z1 is calculated as follows:
 $(\text{Ø plenum}/2) - (\text{Ø duct}/2) = Z1$

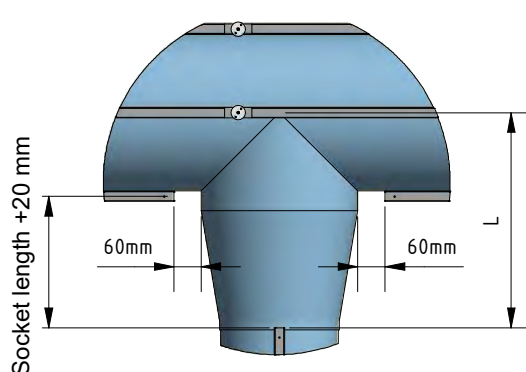
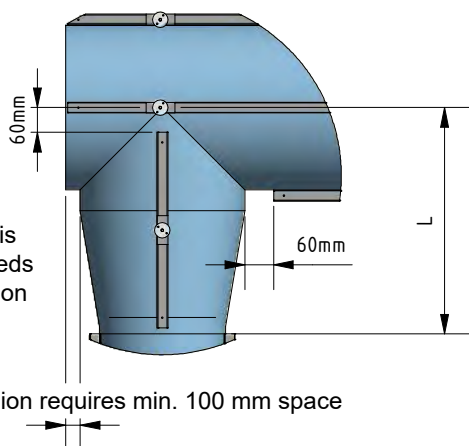
Ex.: Plenum Ø630 mm, duct Ø300 mm:
 $(630/2) - (300/2) = 165 \text{ mm}$



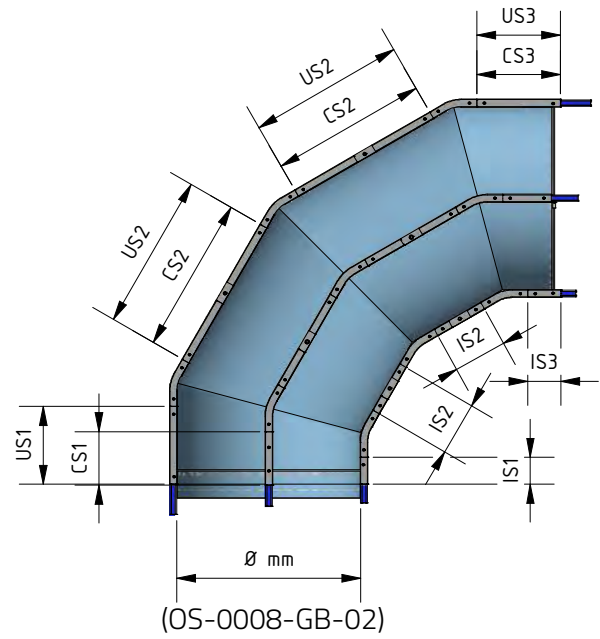
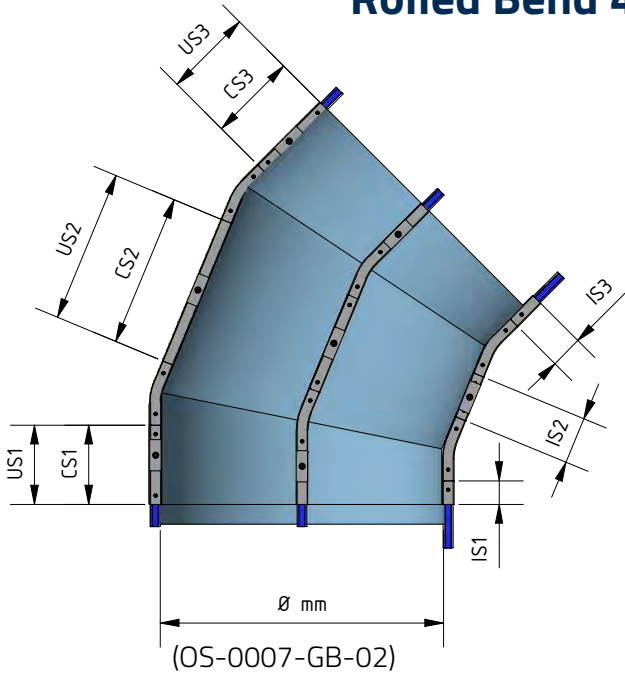
G

F

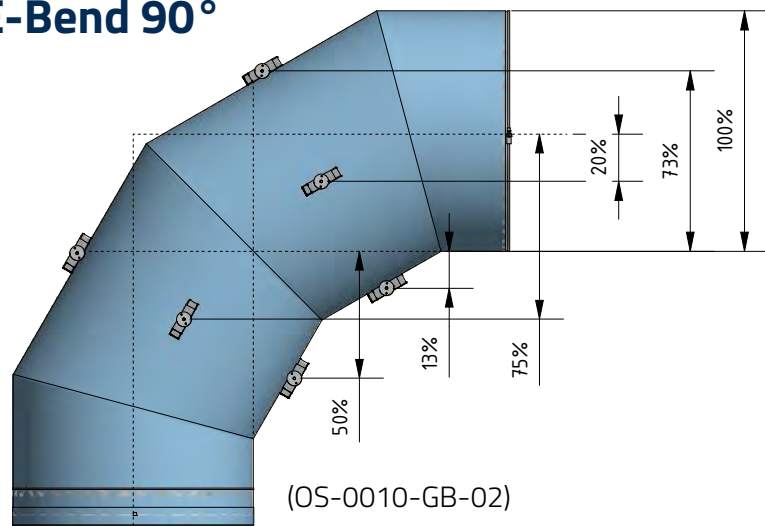
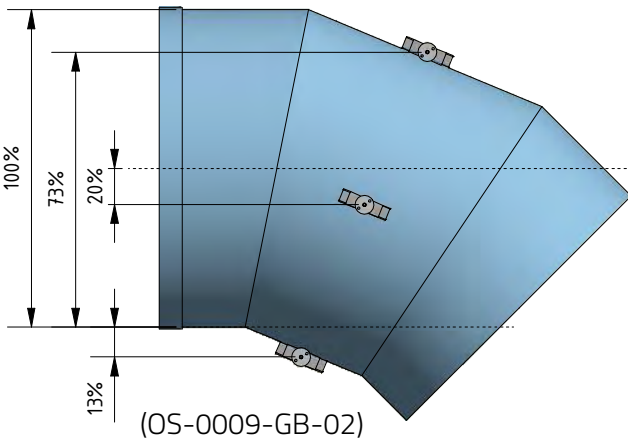
Note for sockets
 1 row of suspension is possible if duct exceeds L 500 mm and is flat on top.



Rolled Bend 45° / Rolled Bend 90°



KE-Bend 45° / KE-Bend 90°



KE-Elbow (any angle) / KE-Elbow 90°

