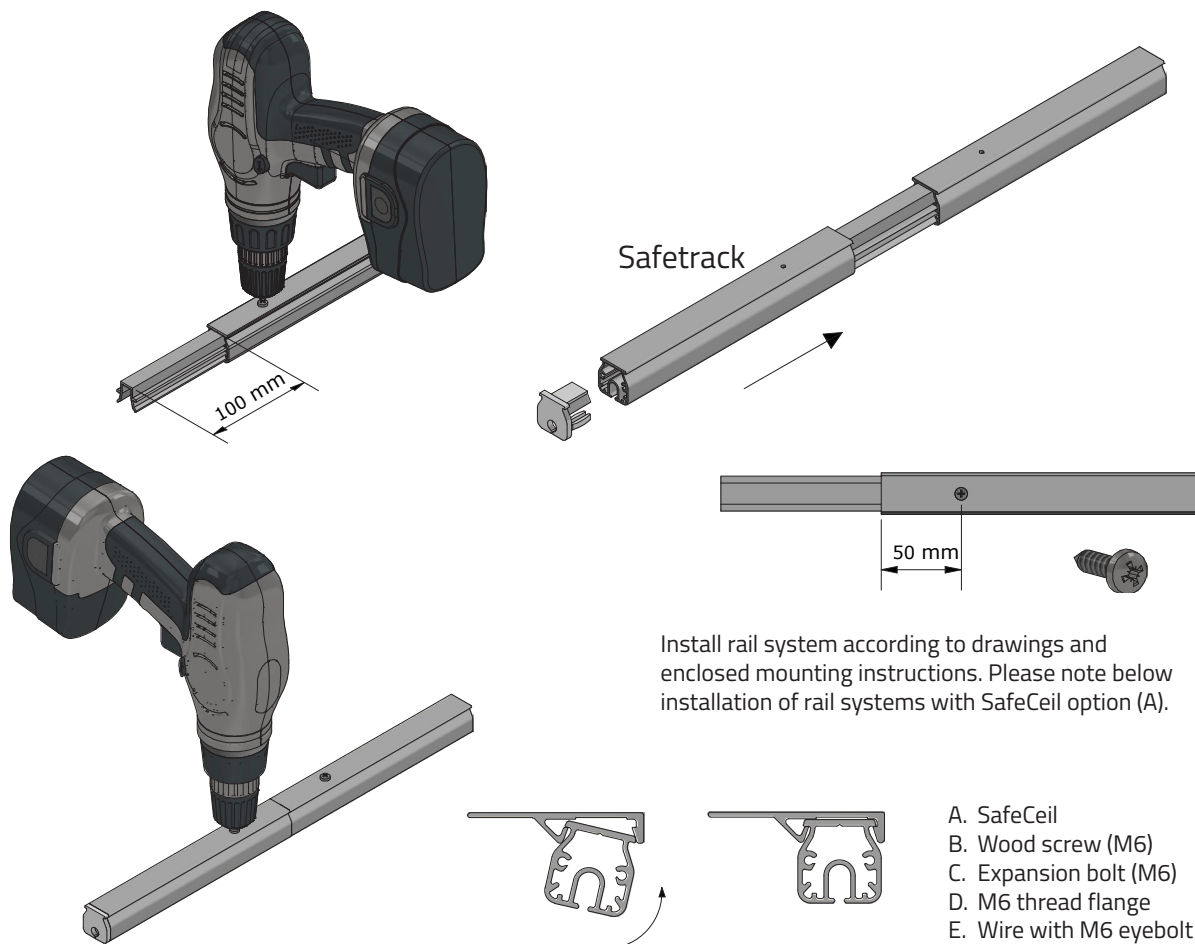


# Safetrack Suspension Options

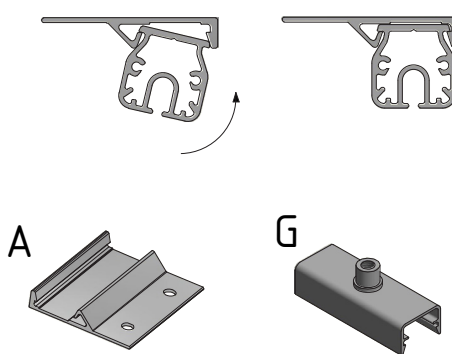
OS-0004-GB-05



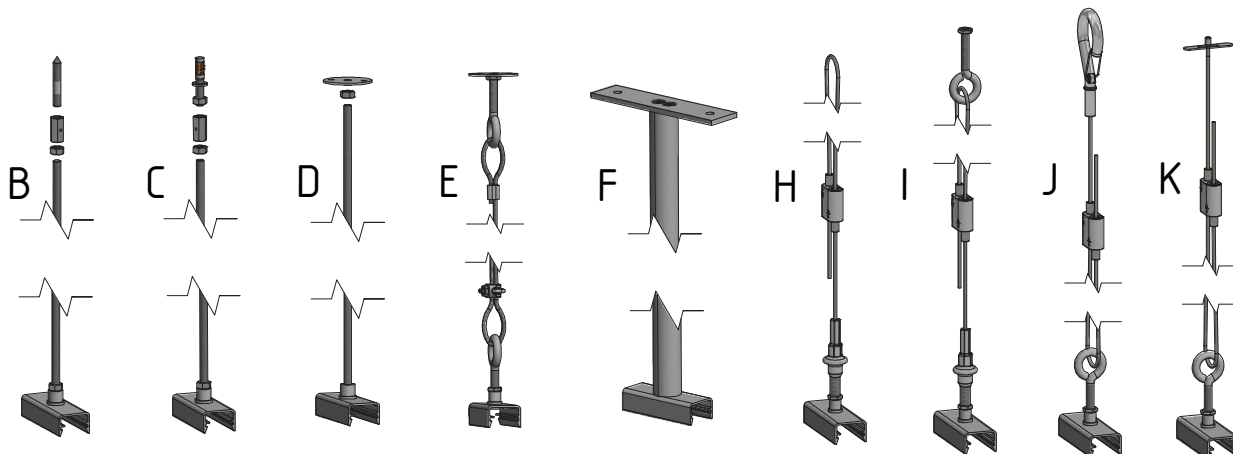
Install rail system according to drawings and enclosed mounting instructions. Please note below installation of rail systems with SafeCeil option (A).

## Suspension type

Refer to the delivery note for chosen suspension type.



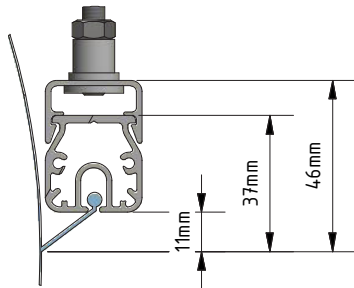
- A. SafeCeil
- B. Wood screw (M6)
- C. Expansion bolt (M6)
- D. M6 thread flange
- E. Wire with M6 eyebolt
- F. SafeStrapUp (M6)
- G. M8 Alu
- Smart-Adjust StrapUp:**
- H. M6
- I. M6 eyebolt
- J. Hook
- K. Zinc plate



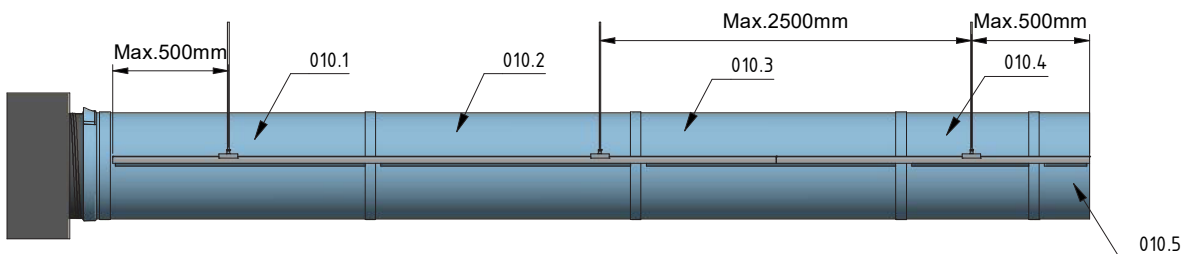
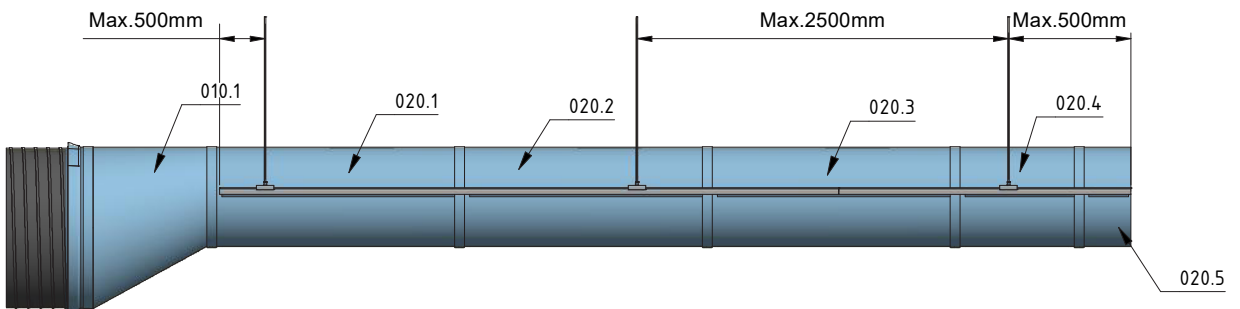
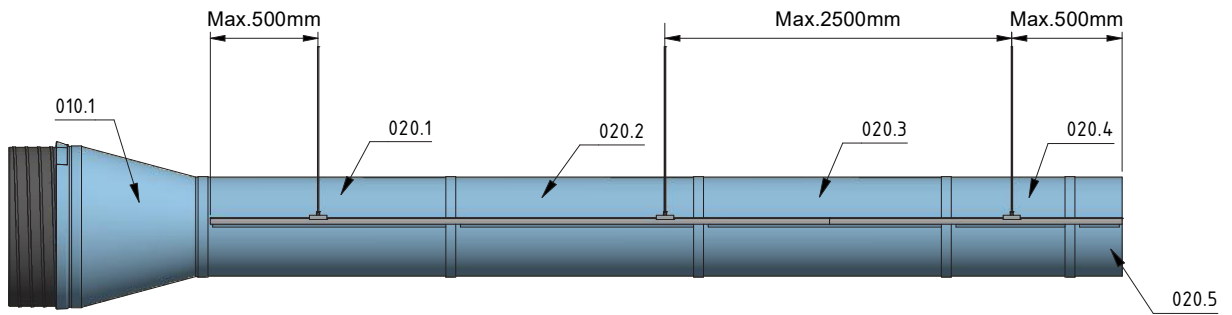
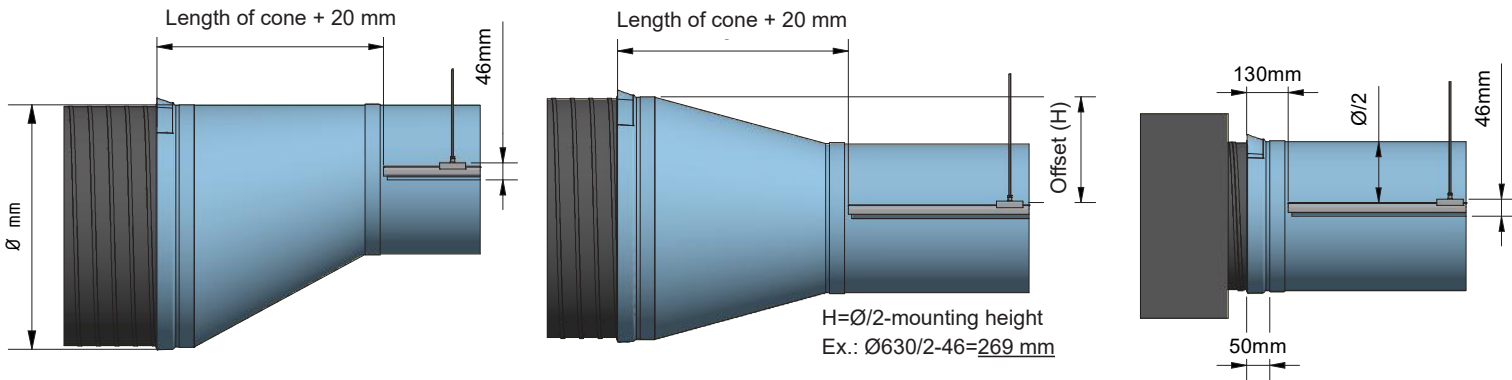
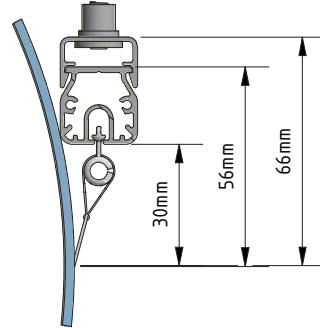
# Safetrack, Double Suspension

OS-0005-GB-03

SafeBulb

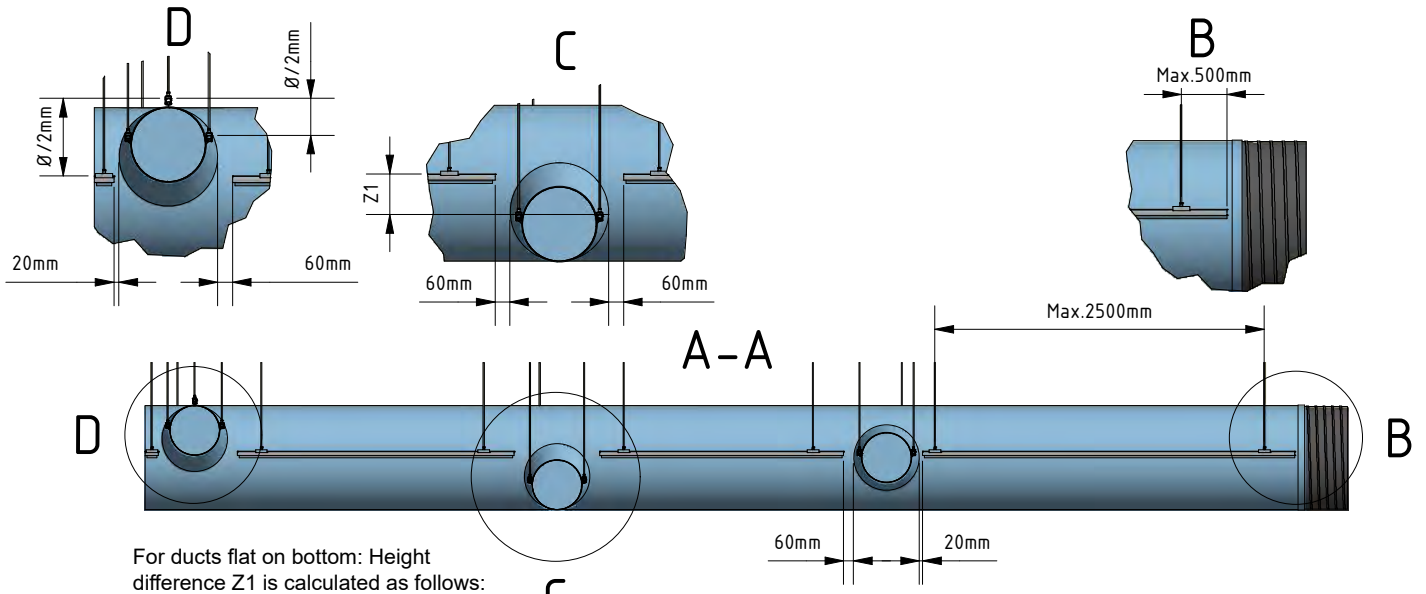


SafeSlider



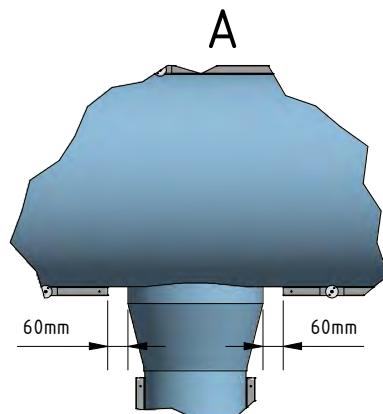
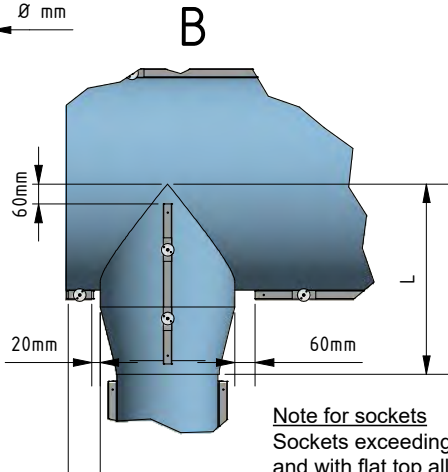
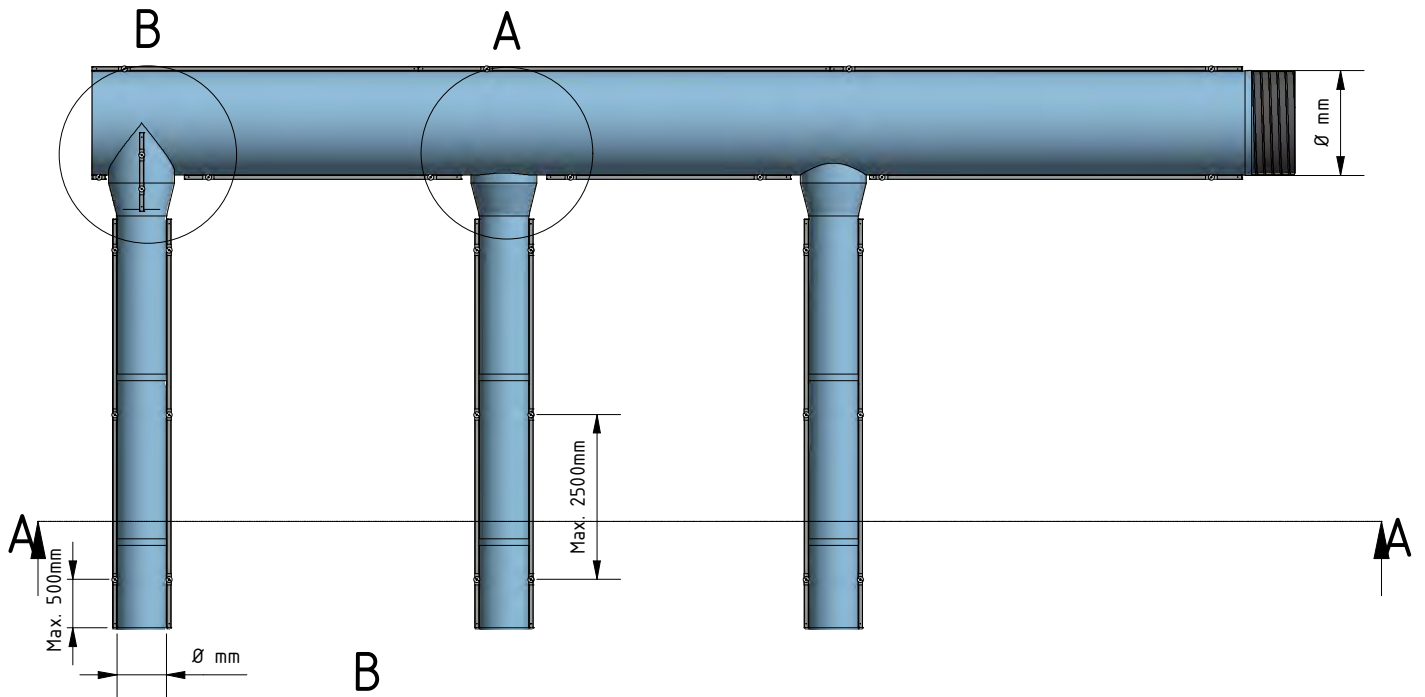
# Safetrack, Plenum, Double Suspension

OS-0006-GB-03



For ducts flat on bottom: Height difference Z1 is calculated as follows:  
 $(\text{Ø plenum}/2) - (\text{Ø duct}/2) = Z1$

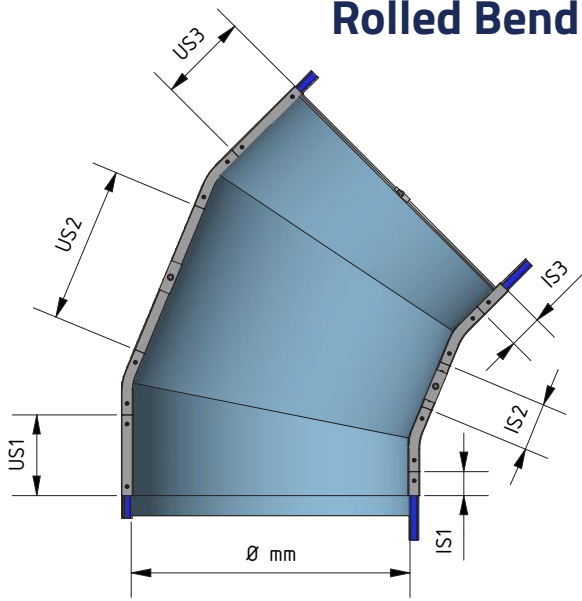
Ex.: Plenum Ø630 mm, duct Ø300 mm:  
 $(630/2) - (300/2) = 165 \text{ mm}$



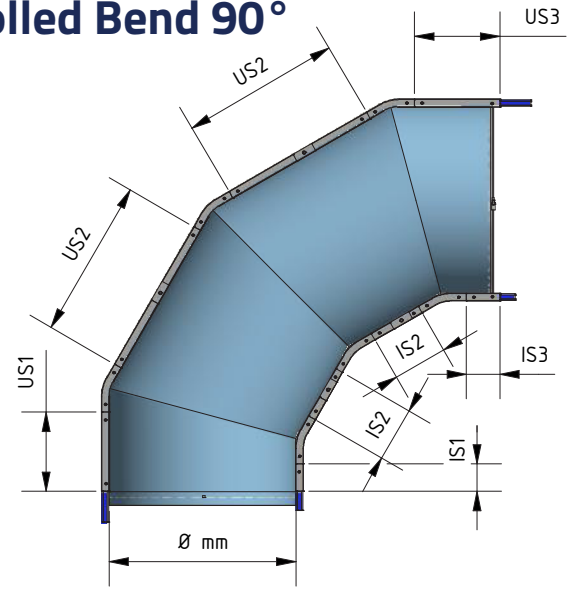
**Note for sockets**  
 Sockets exceeding 500 mm L  
 and with flat top allow for 1 row  
 of suspension

Suspension requires min. 100 mm space

## Rolled Bend 45° / Rolled Bend 90°

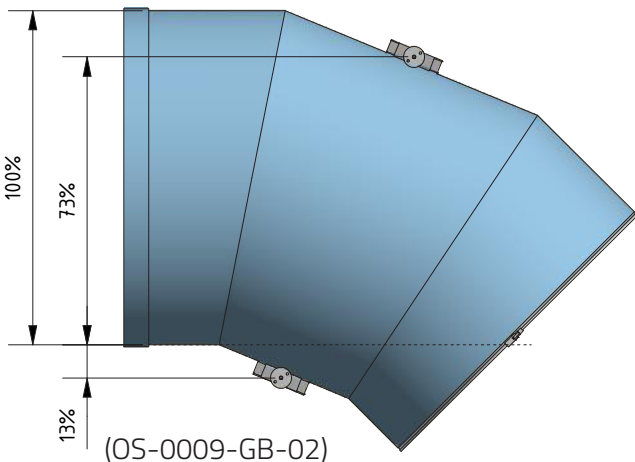


(OS-0007-GB-02)

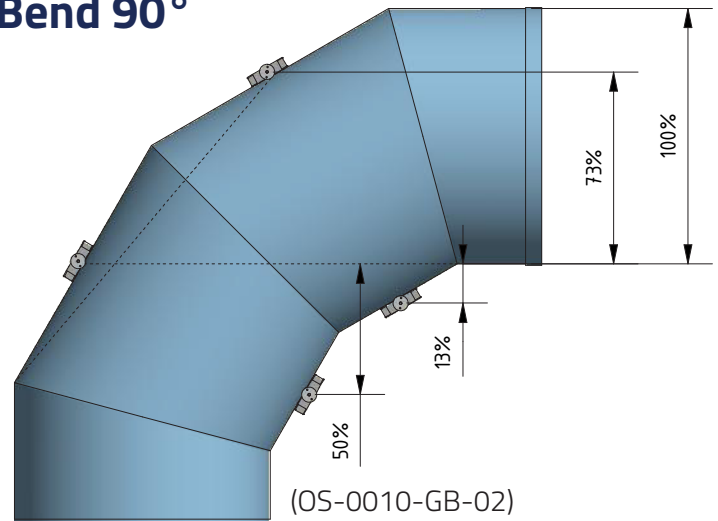


(OS-0008-GB-02)

## KE-Bend 45° / KE-Bend 90°

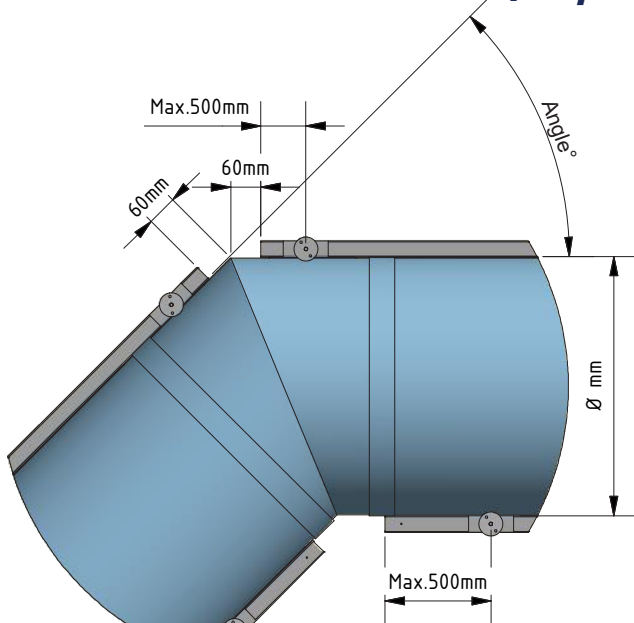


(OS-0009-GB-02)

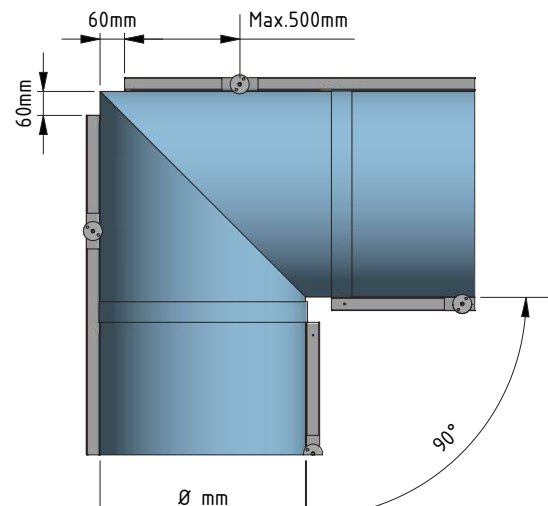


(OS-0010-GB-02)

## KE-Elbow (any angle) / KE-Elbow 90°



(OS-0011-GB-03)



(OS-0012-GB-02)