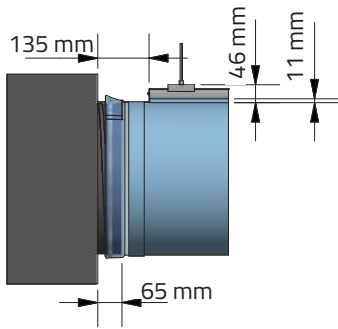
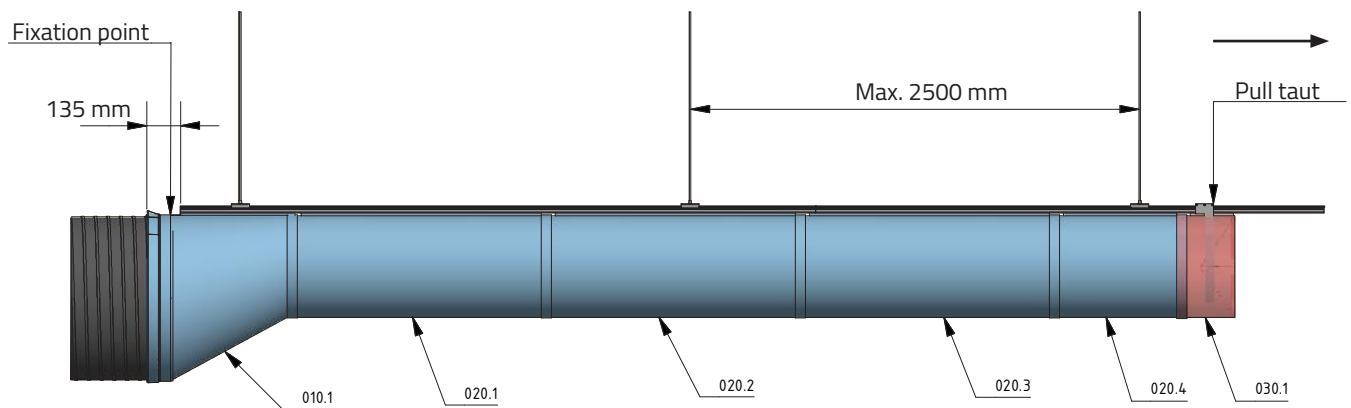
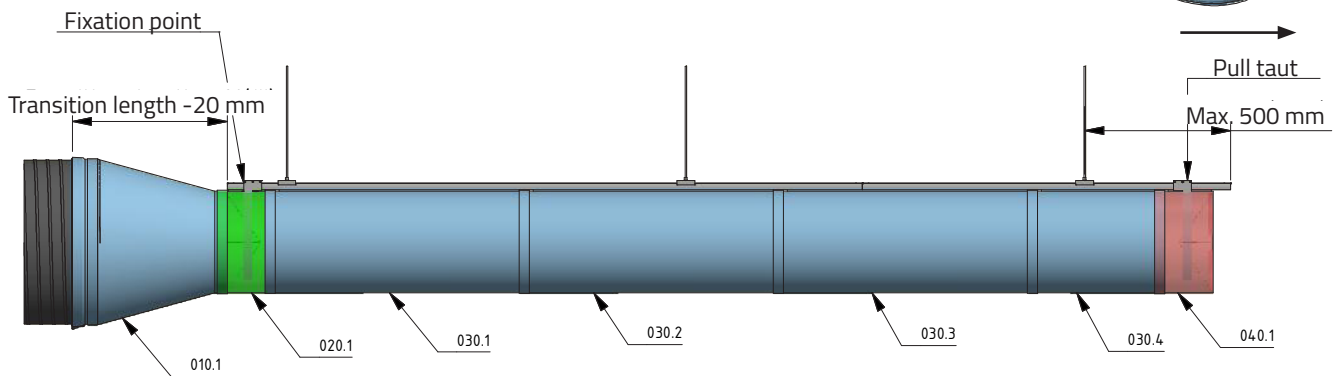
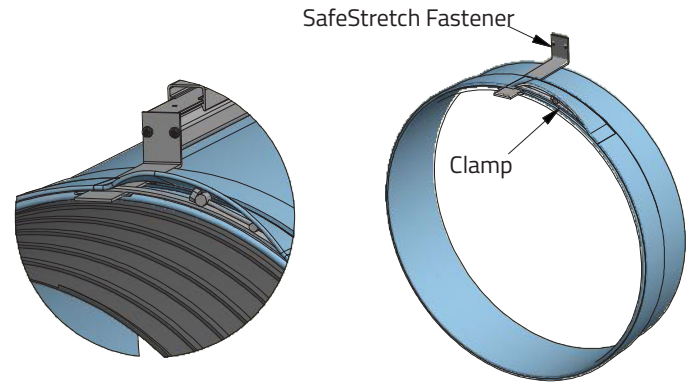
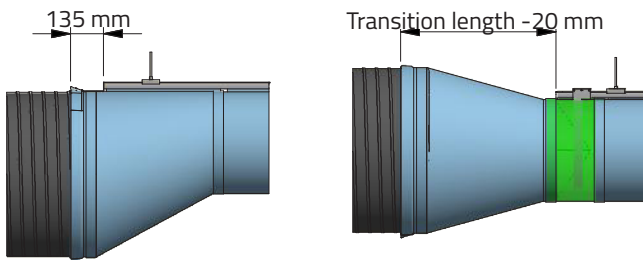


# Safetrack, SafeStretch, Single Suspension

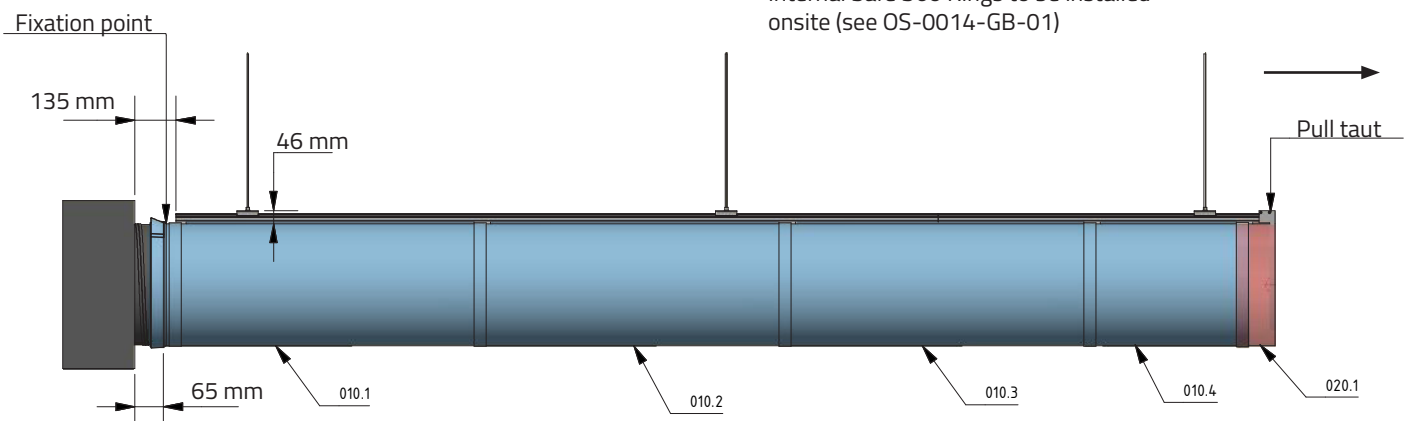
## OS-0020-GB-02



When the whole duct run has been pulled onto the track, slide the duct opening over the end of the metal duct. Fix the SafeStretch Fastener to the end of the metal duct by sliding the fastener through the slot in the fabric starting sleeve and then under the worm gear clamp. Once in place tighten worm gear clamp to hold duct and fastener in place. Then fix the SafeStretch fastener with 2 screws to the end of the track.

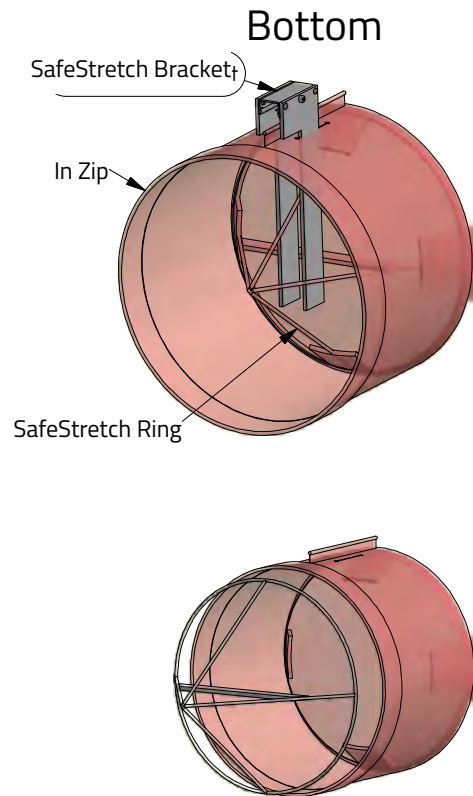
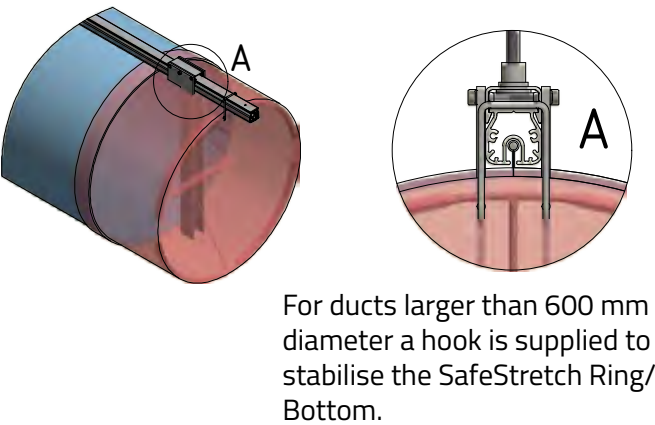
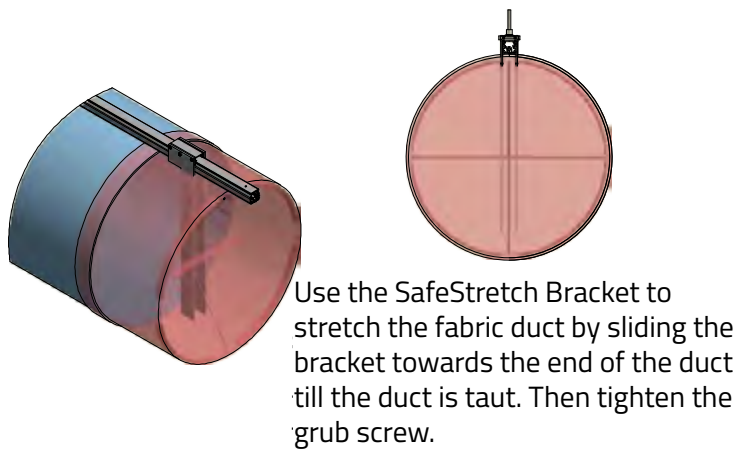


Internal Safe 360 Rings to be installed onsite (see OS-0014-GB-01)

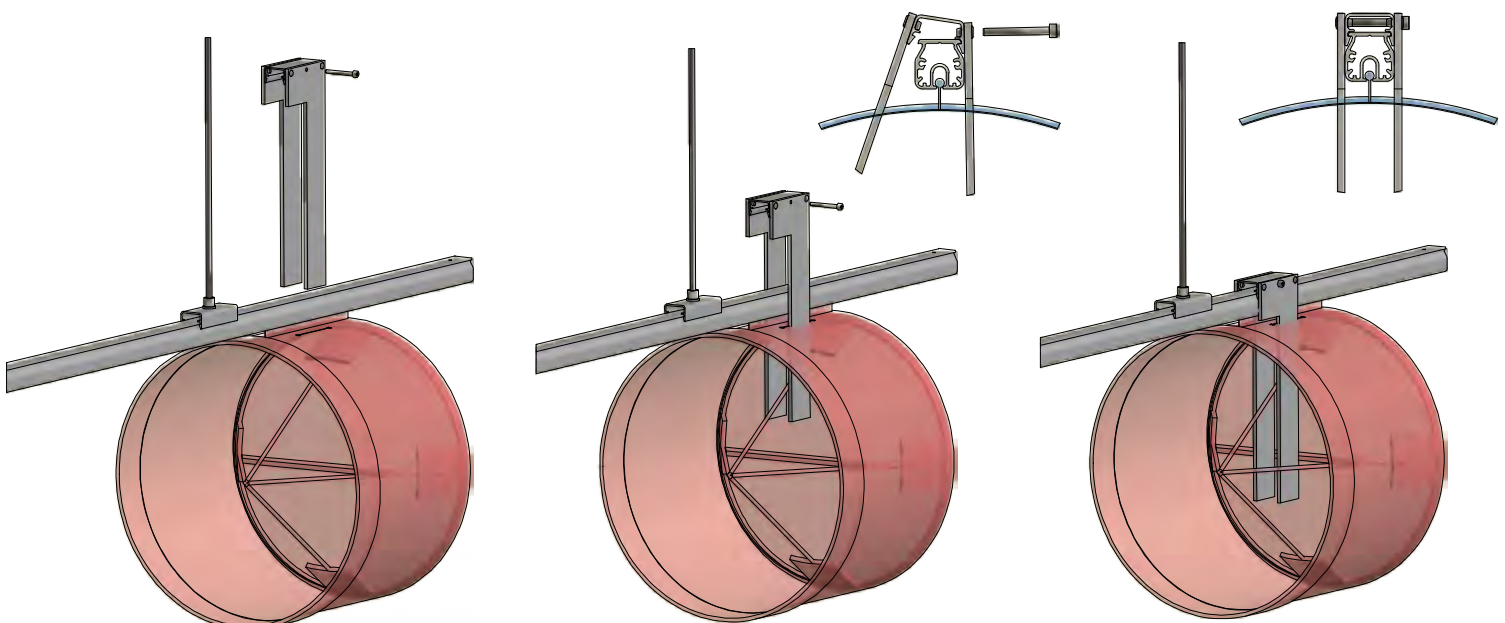


# Safetrack, SafeStretch, Single Suspension (Bottom)

OS-0021-GB-02

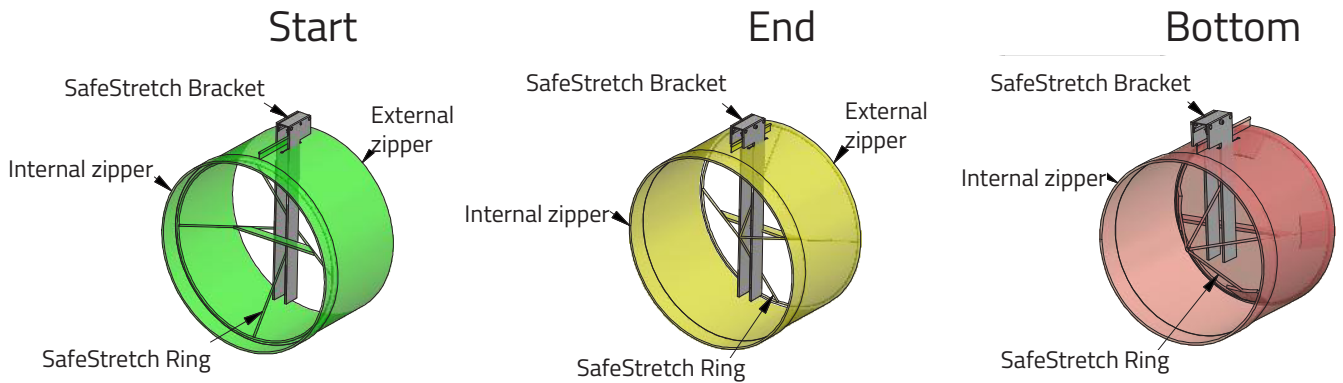


At the end of the duct, lower the SafeStretch Bracket (without the grub screw) over the track and into the duct through the 2 slots in the fabric duct section at 12 o'clock, until it "snaps" onto the track. The bracket must be at an angle so one groove sits in place on the rail, and then it can be clicked on. Make sure it is placed so that it is in front of the horizontal strut. Insert the screw, but do not tighten it fully yet, as the bracket still has to be moveable/adjustable (for a more detailed view, see OS-0022-GB).



# Safetrack, SafeStretch, Single Suspension

OS-0022-GB-02



## A - A

