

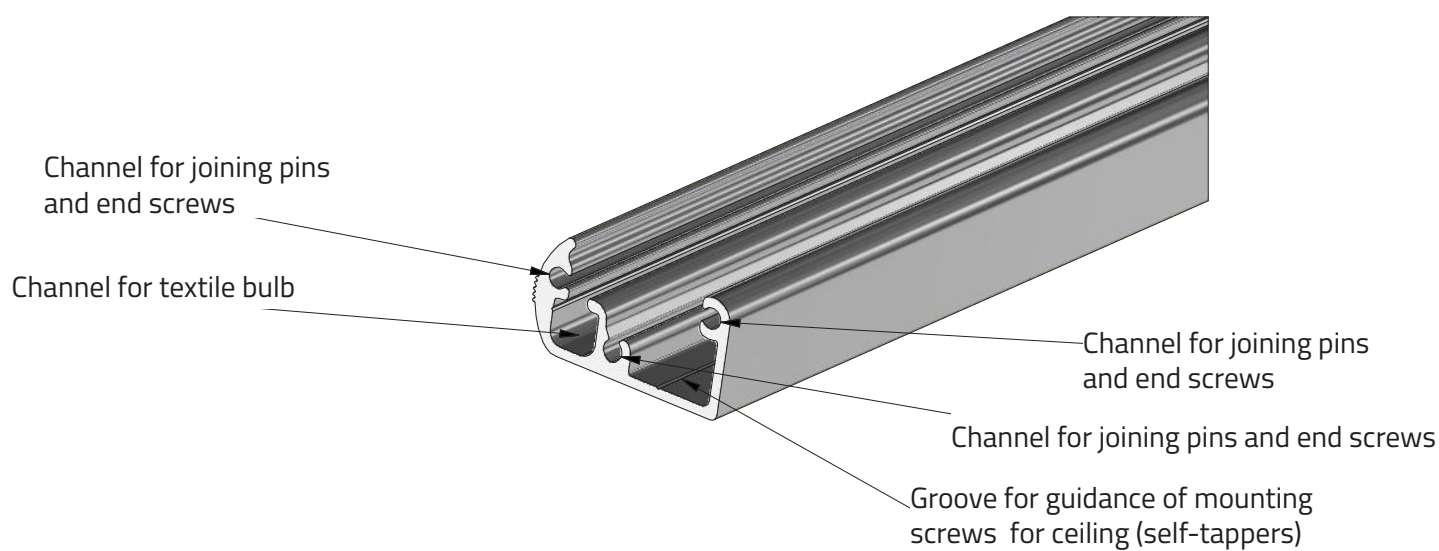
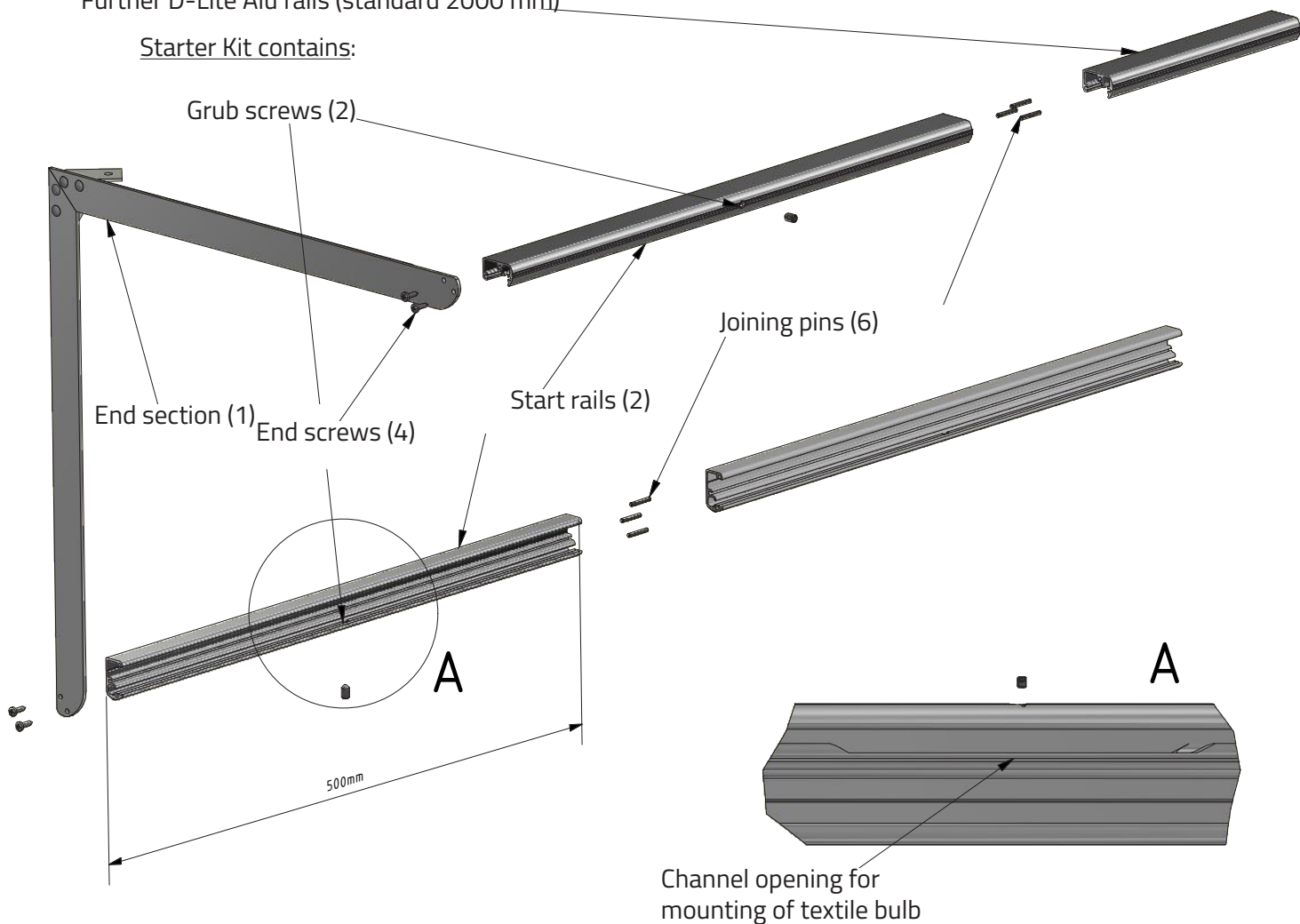
D-Lite Alu Suspension for KE-½D Interior System

AIR THE WAY YOU WANT

QL-0003-GB-02

Further D-Lite Alu rails (standard 2000 mm)

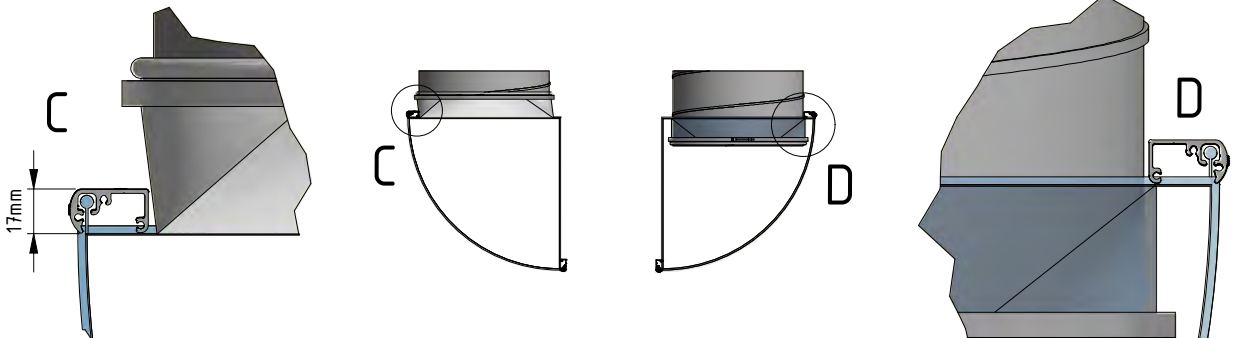
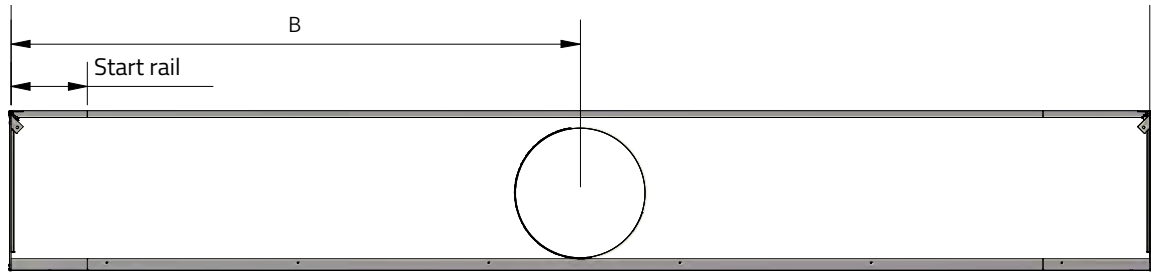
Starter Kit contains:



D-Lite Alu for KE-½D Interior System (Rail Assembly)

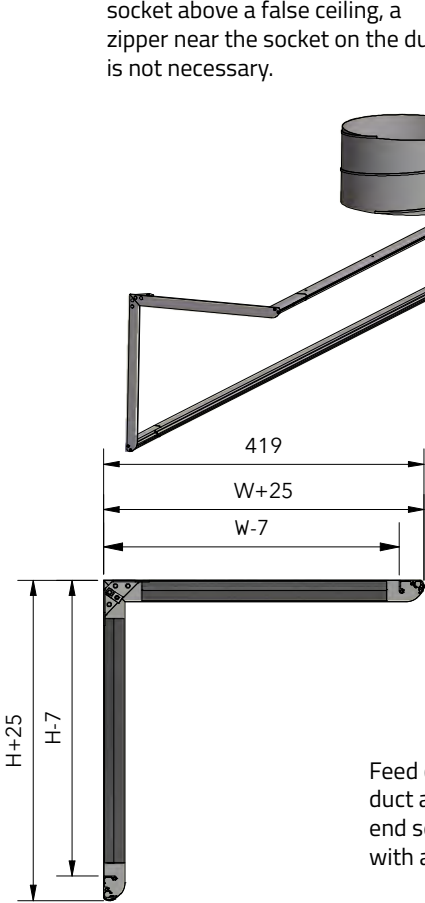
AIR THE WAY YOU WANT

QL-0004-GB-04

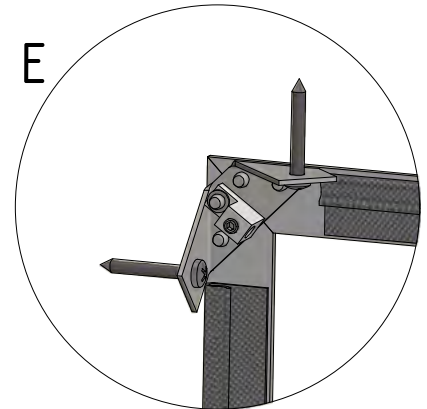


If it is possible to mount the socket above a false ceiling, a zipper near the socket on the duct is not necessary.

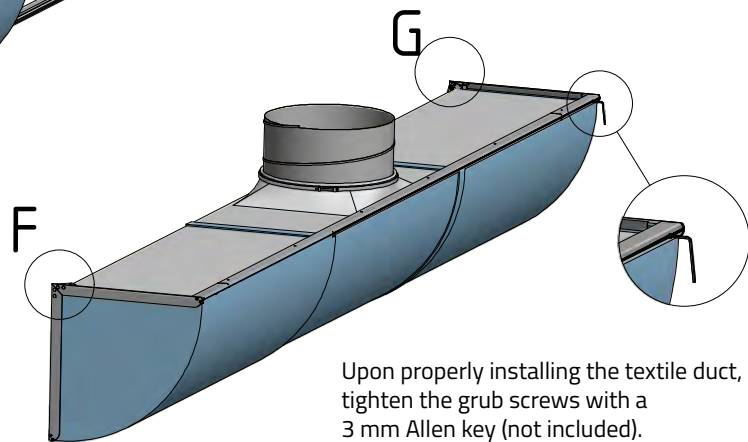
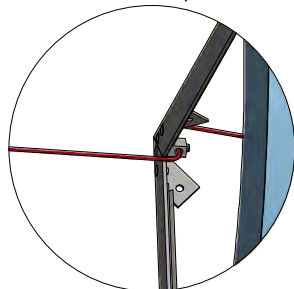
If mounting of the socket must be done from inside the space you must place at least 1 zipper close to the socket. Otherwise a service zipper must be placed in the arc of the duct.



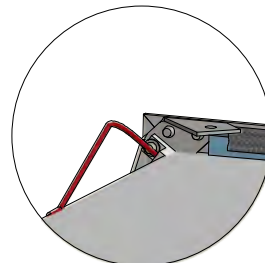
Fasten inner corner of rail to wall or ceiling with at least one screw.



Feed cord through hole. Pull/push the duct along the rails until reaching the end section. Tighten the grub screw with a 3 mm Allen key (not included).

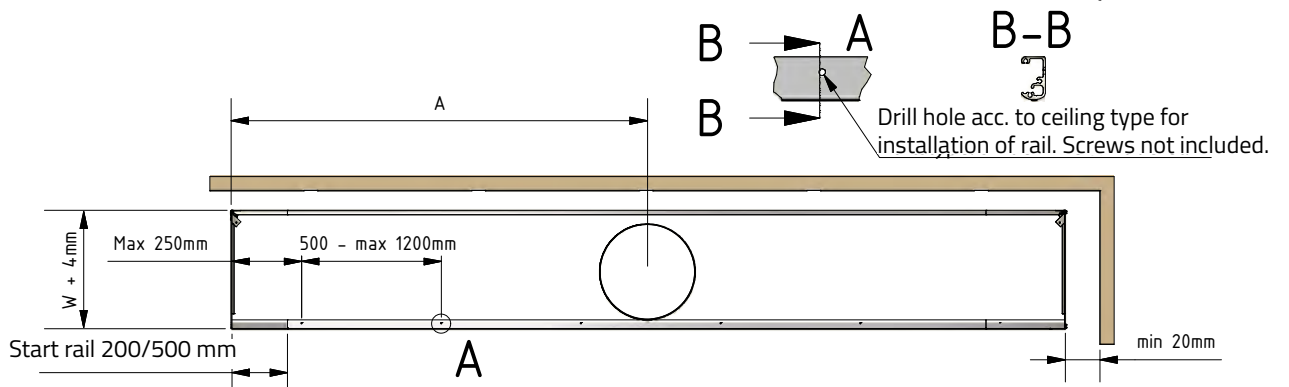
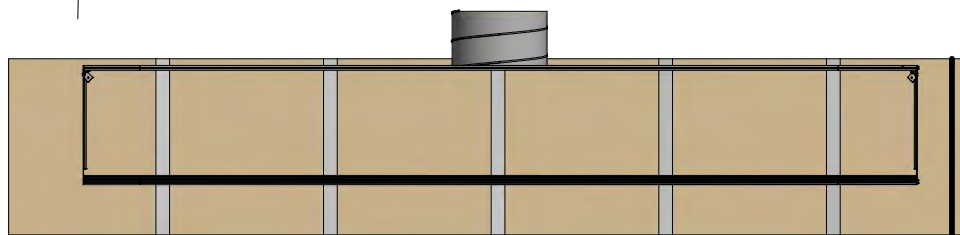
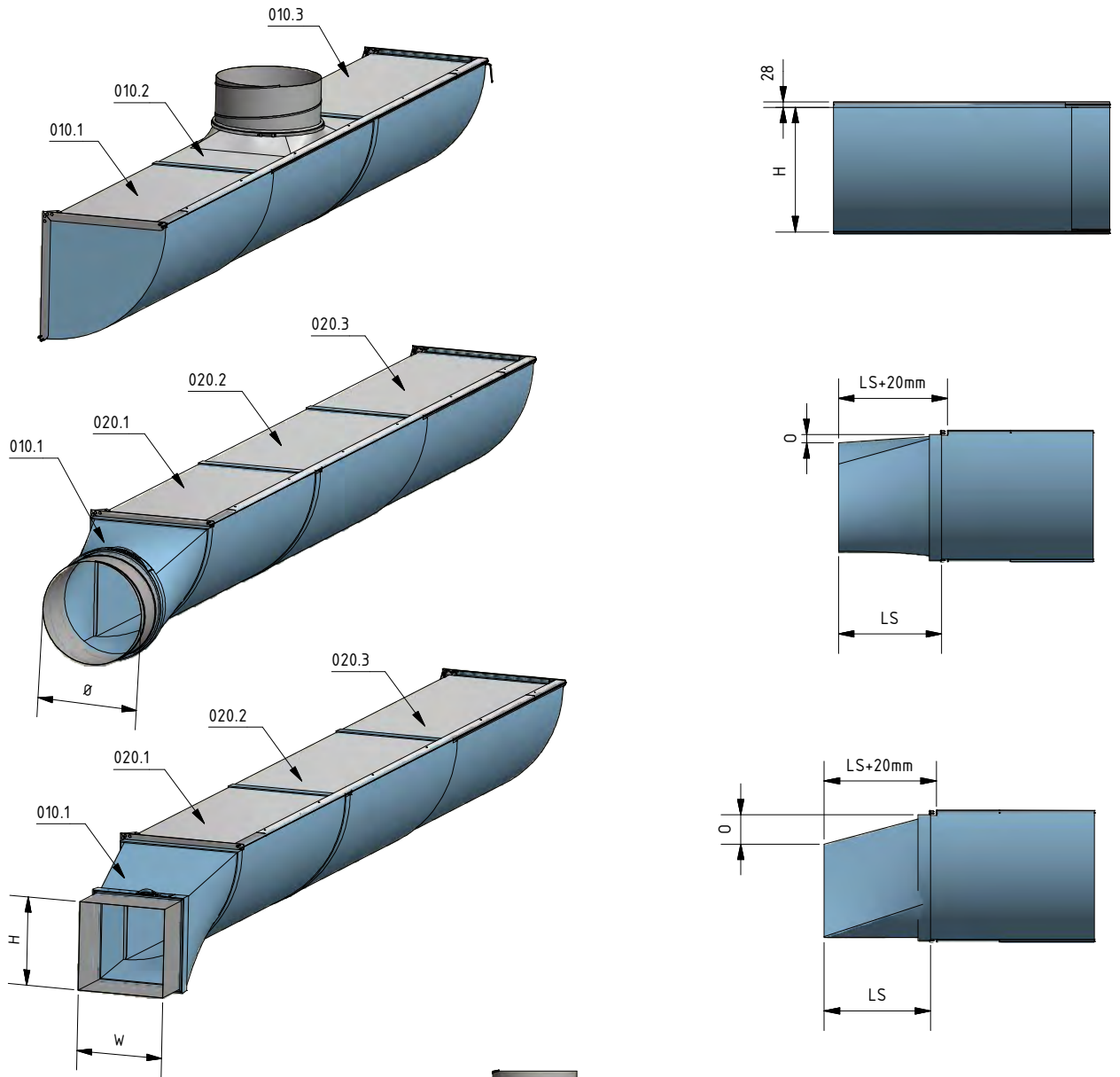


Upon properly installing the textile duct, tighten the grub screws with a 3 mm Allen key (not included).



D-Lite Alu for KE-½D Interior System (Inlet Options)
 QL-0005-GB-03

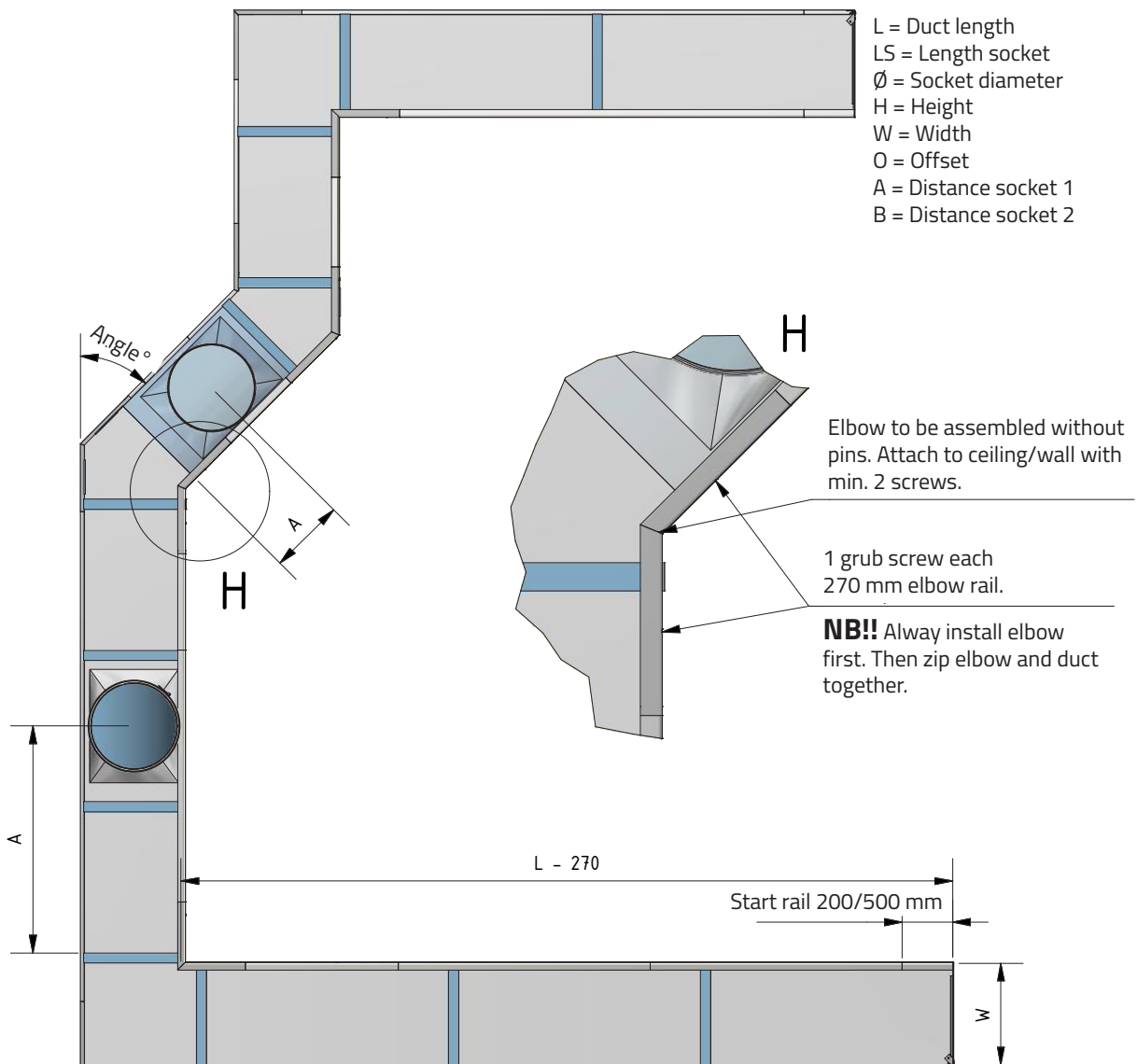
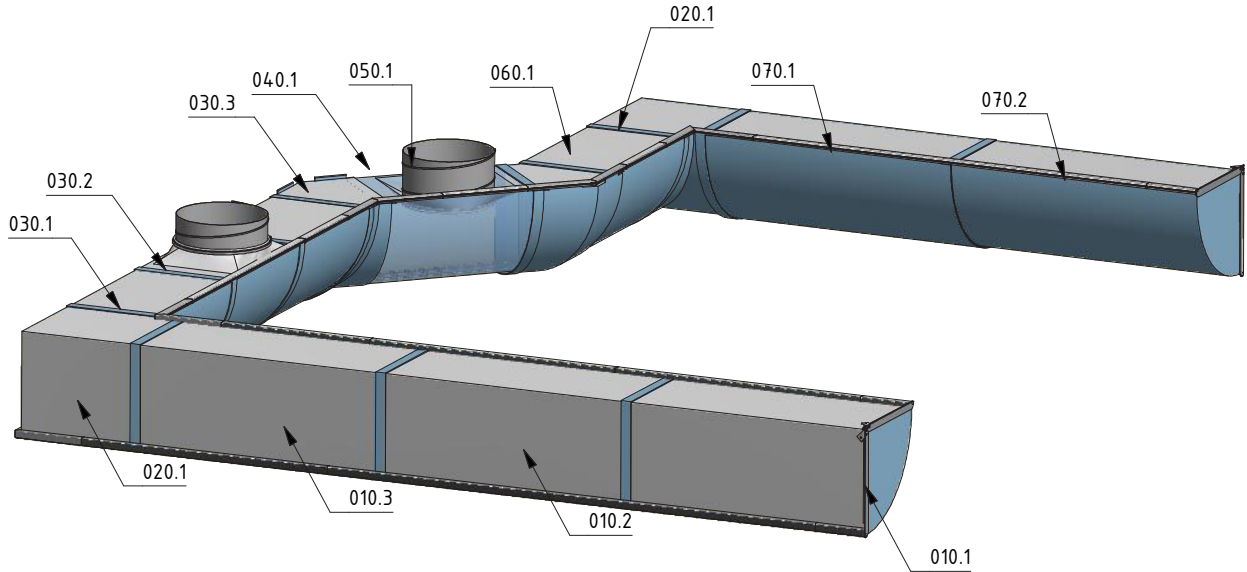
AIR THE WAY YOU WANT



D-Lite Alu for KE-½D Interior System (Plenum)

AIR THE WAY YOU WANT

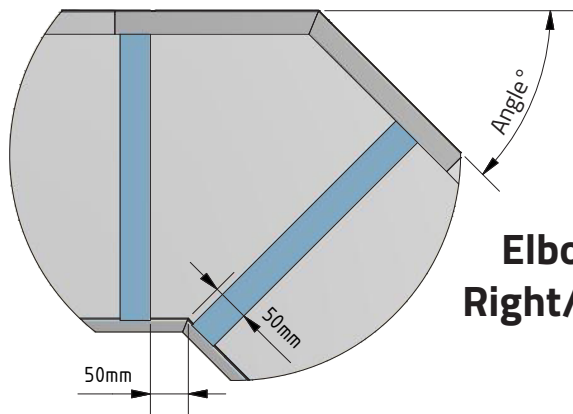
QL-0006-GB-02



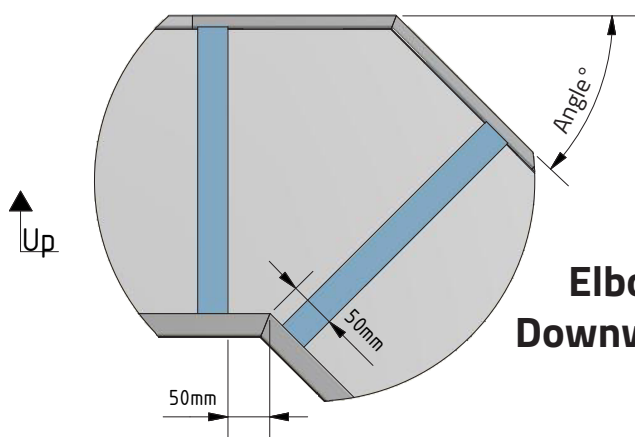
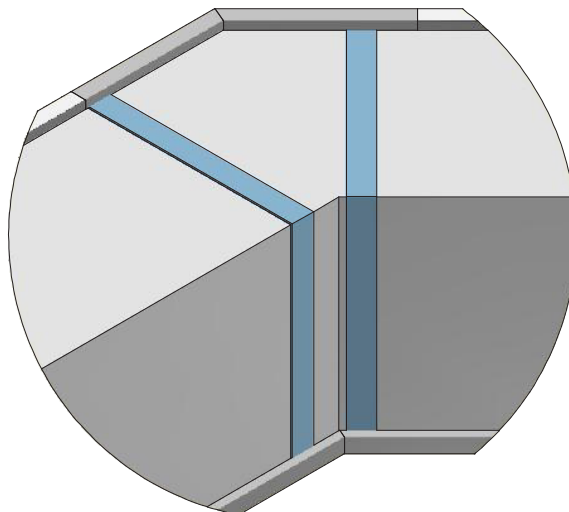
D-Lite Alu for KE-½D Interior System (Elbow)

QL-0007-GB-02

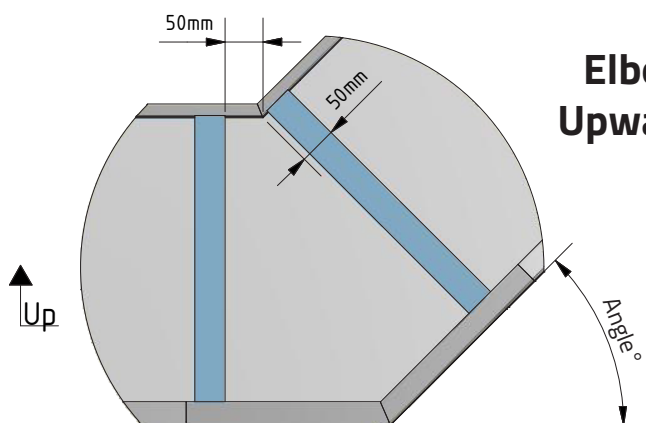
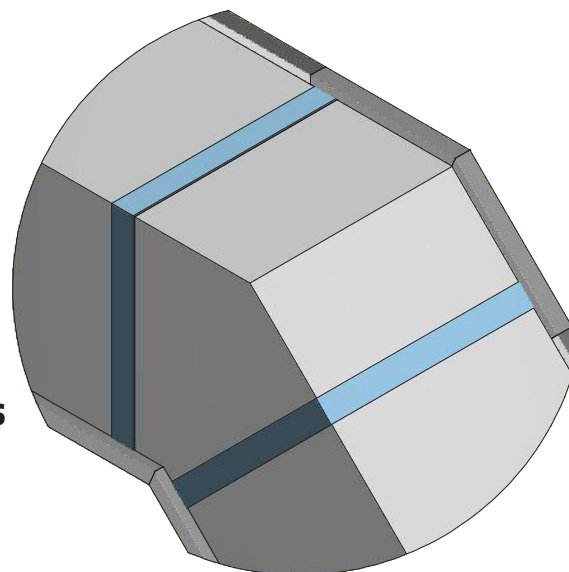
See delivery note for specific angle



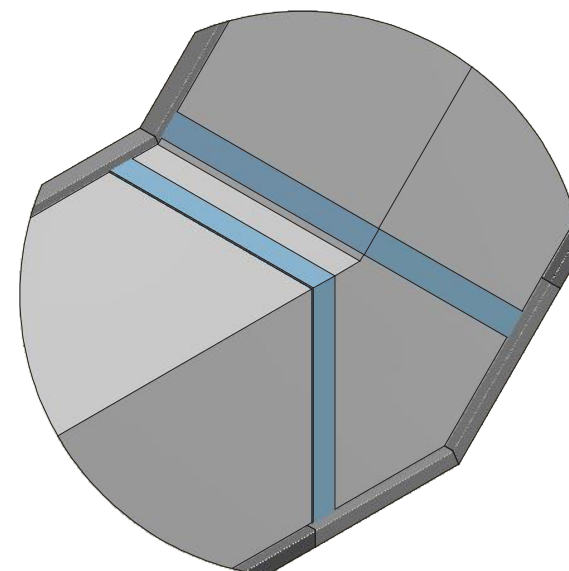
**Elbow
Right/Left**



**Elbow
Downwards**

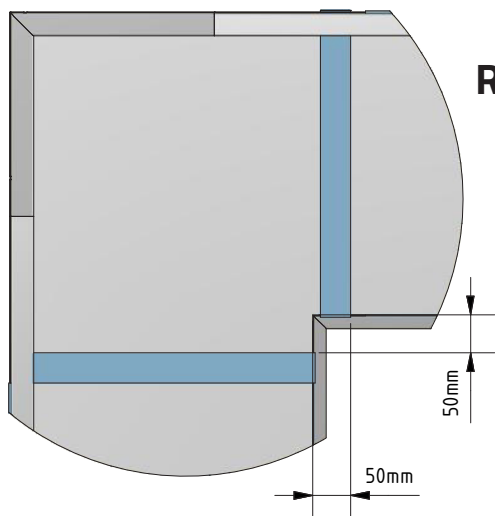


**Elbow
Upwards**

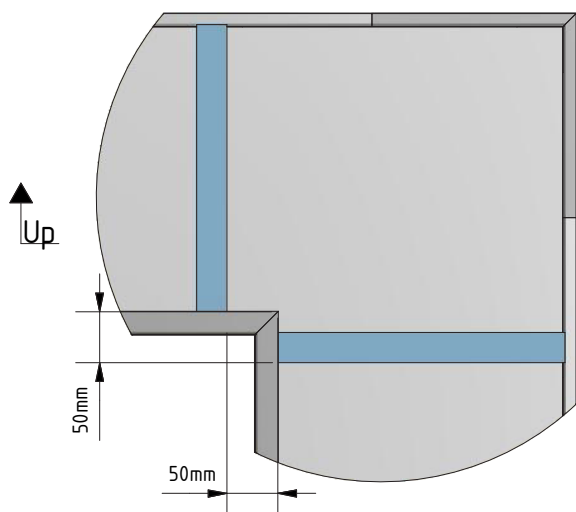
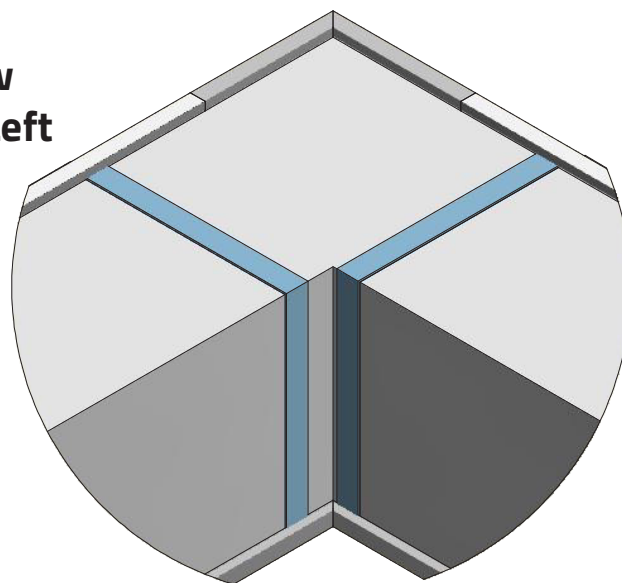


D-Lite Alu for KE-½D Interior System (Elbow 90°)

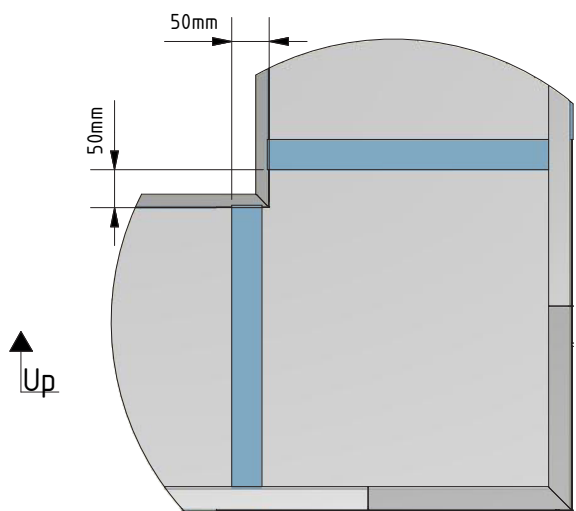
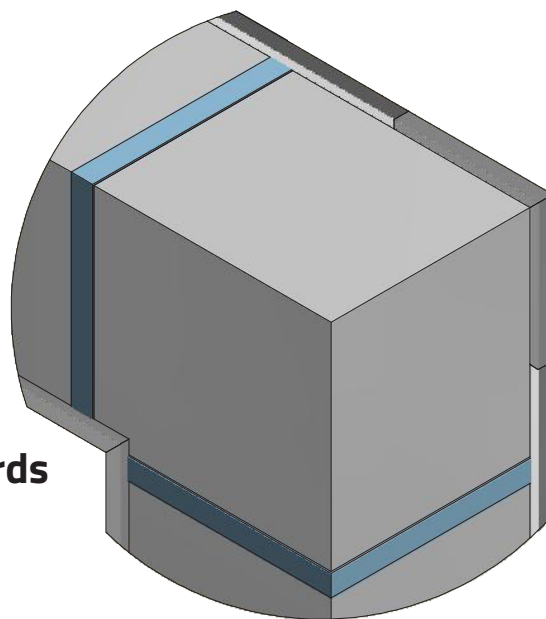
QL-0008-GB-02



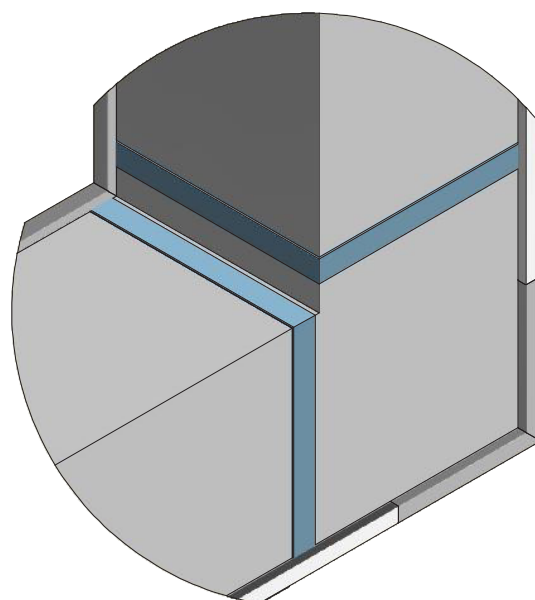
**Elbow
Right/Left**



**Elbow
Downwards**



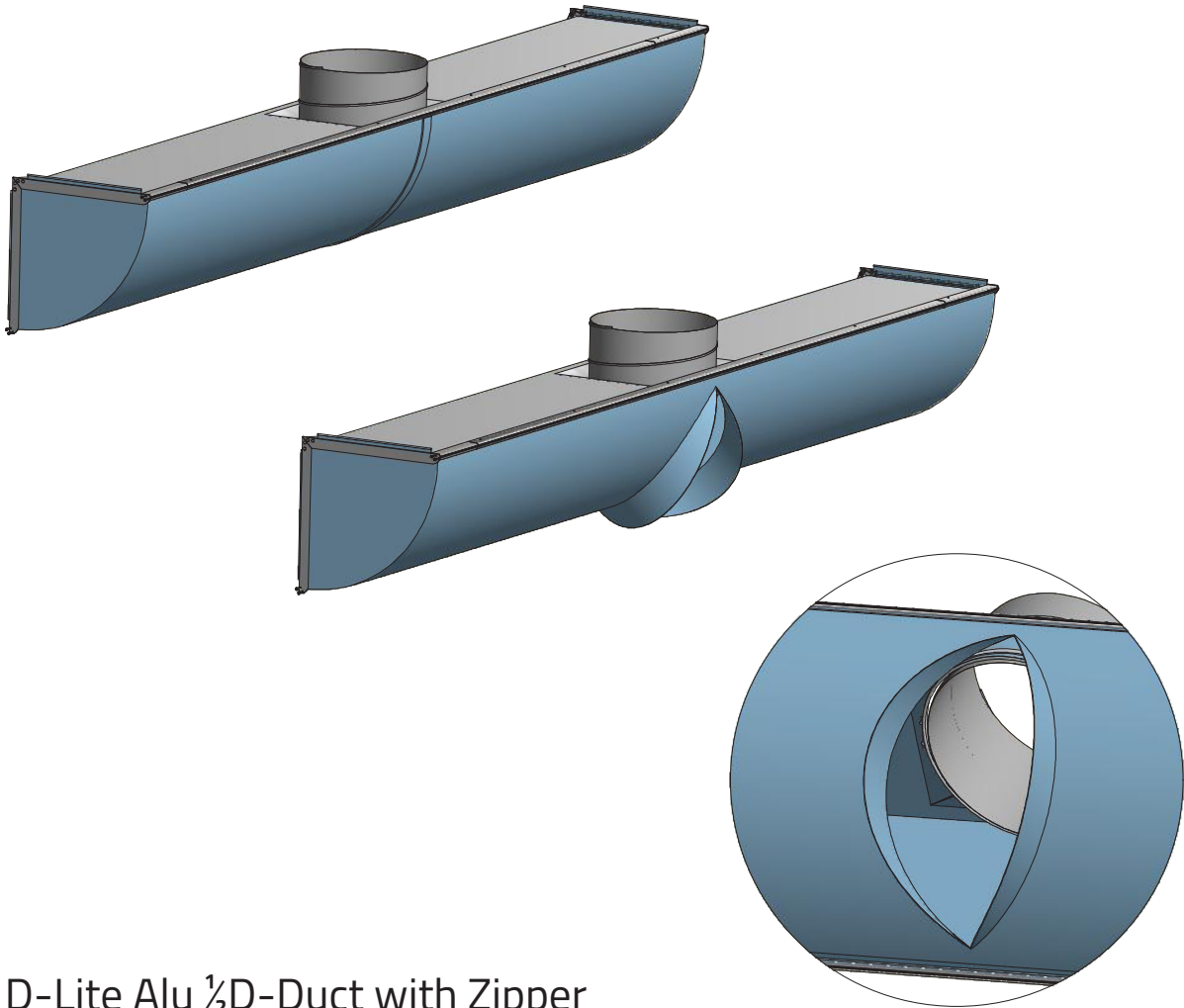
**Elbow
Upwards**



D-Lite Alu for KE-½D Interior System (Service Zipper)

QL-0009-GB-02

D-Lite Alu ½D-Duct with Service Zipper



D-Lite Alu ½D-Duct with Zipper

