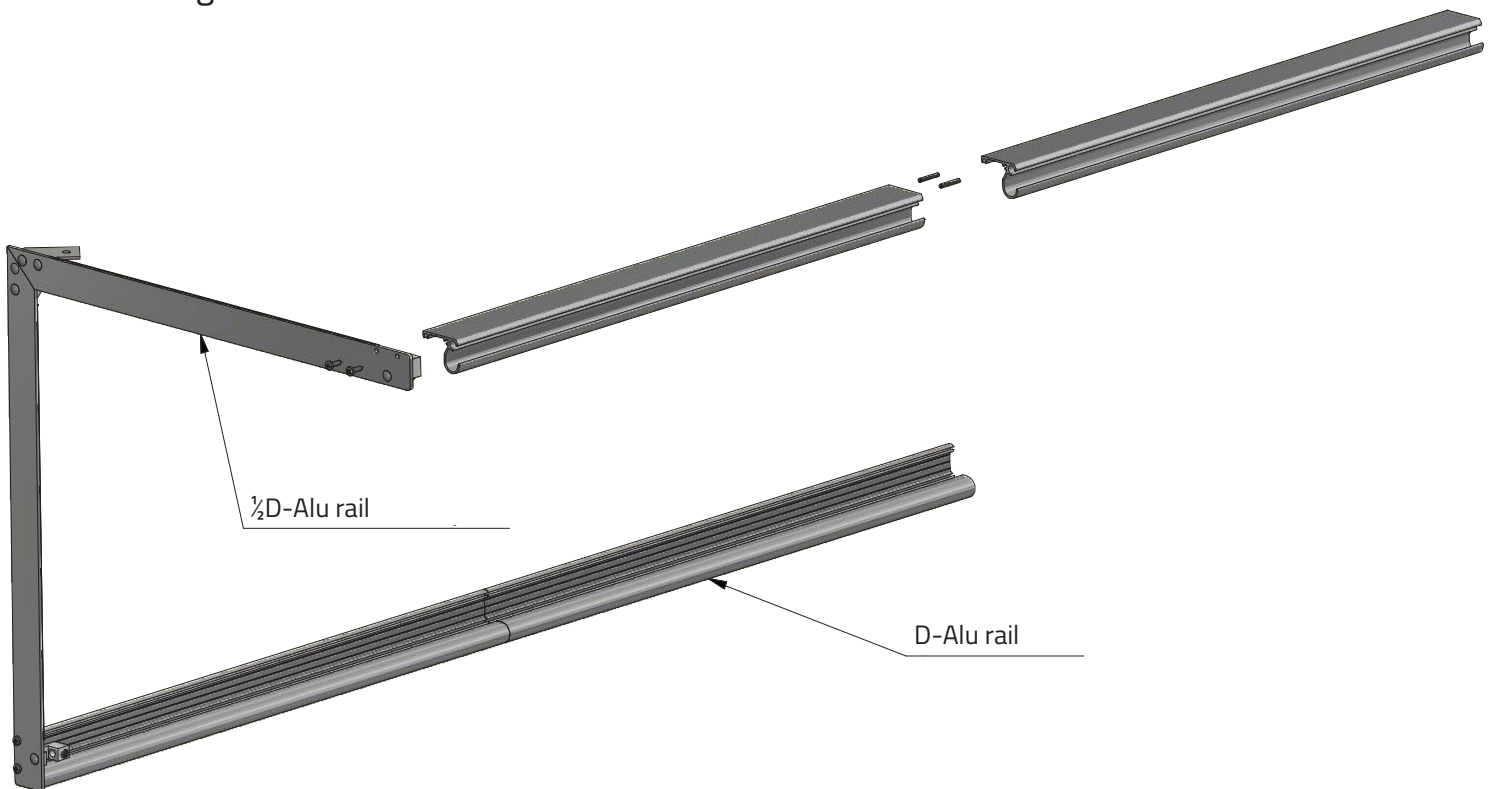


D-Alu Suspension for KE-½D Interior System

QA-0003-GB-02

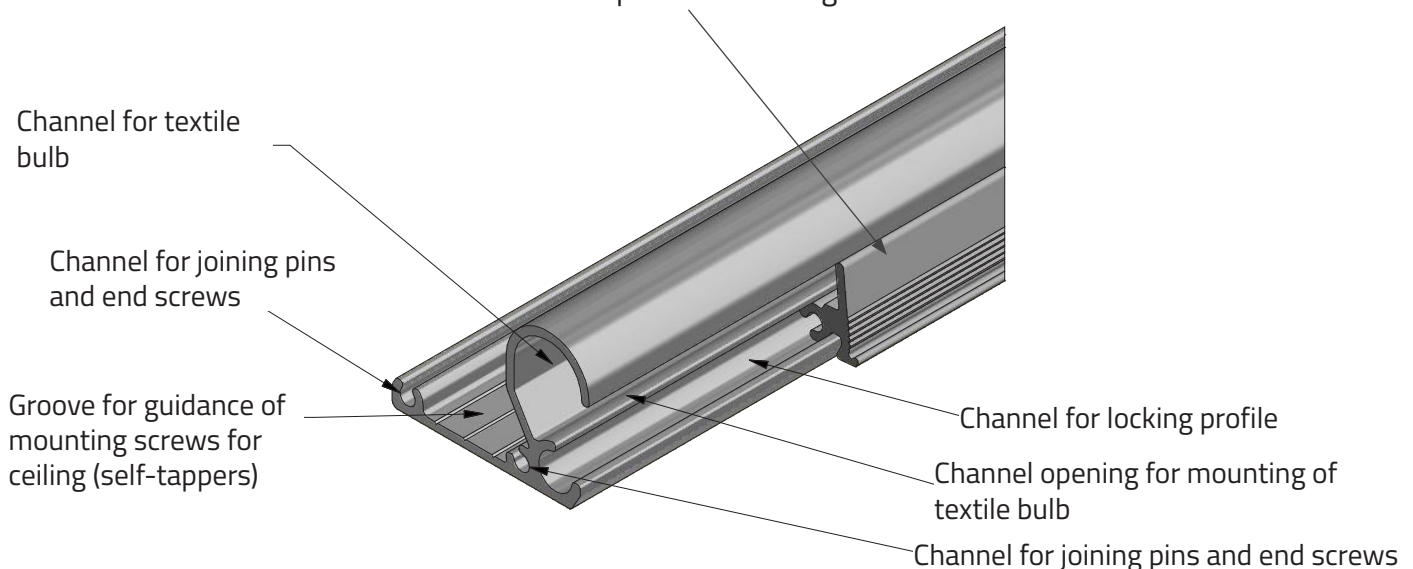
½D-Alu Rail System

Install rail system according to drawings and enclosed mounting instructions.



Locking profile (std. 500 mm):
Feed into D-Alu rails prior to mounting of end sections.
Adjust length of locking profile to D-Alu rail.

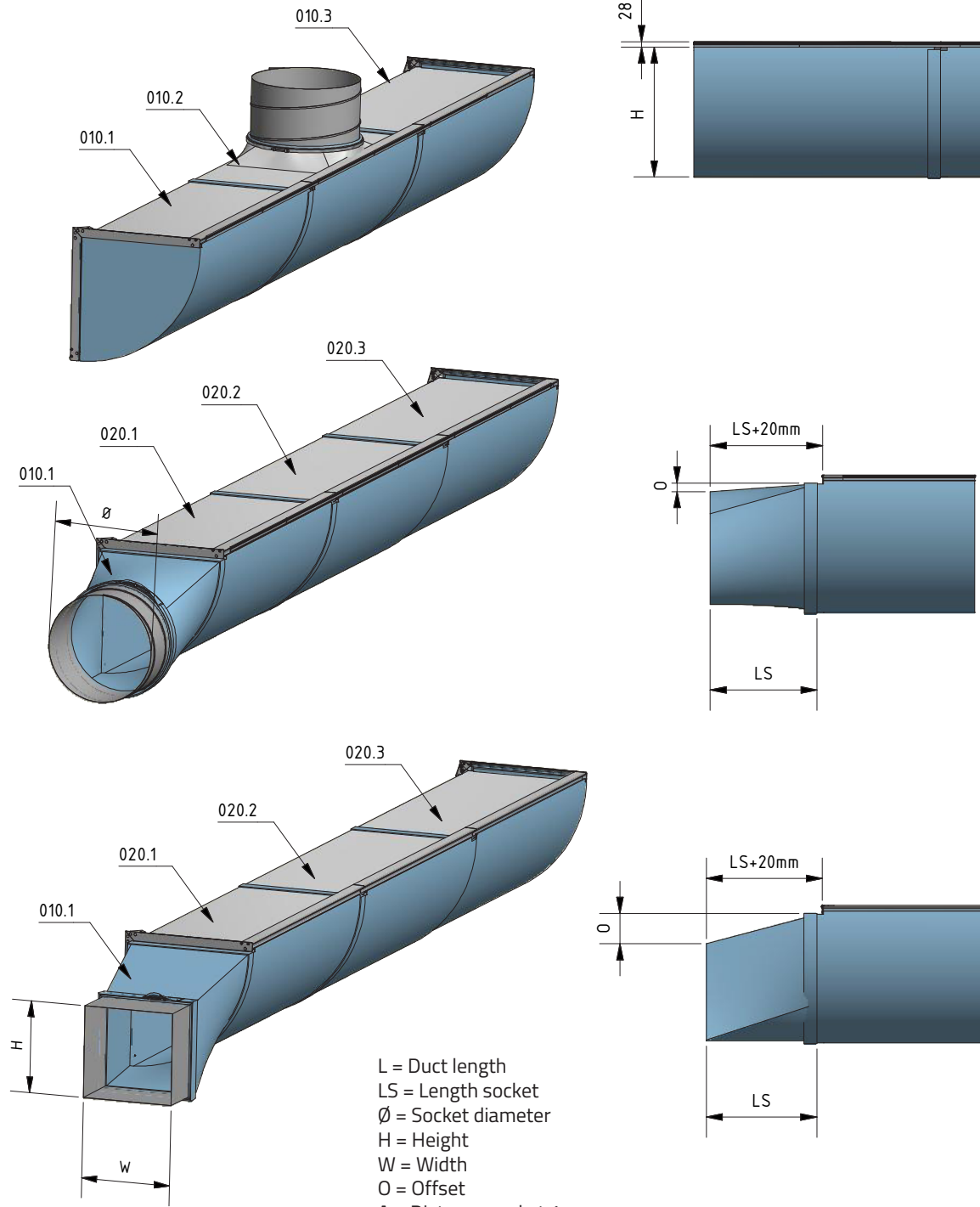
Final locking profile is sawn off at approx. 10 mm short of D-Alu rail so as to prevent blocking.



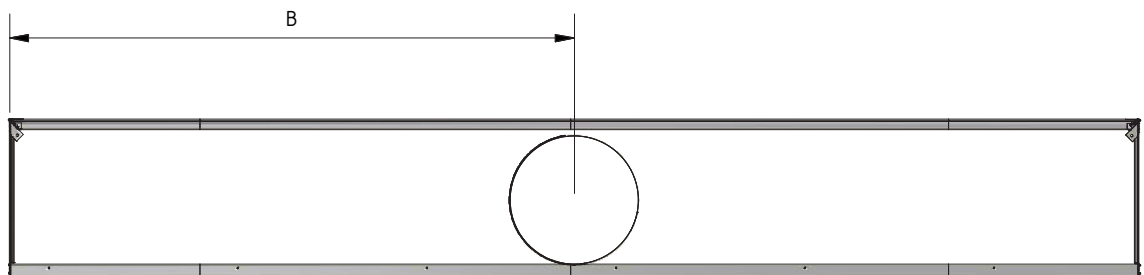
D-Alu for KE-½D Interior System (Inlet Options)

AIR THE WAY YOU WANT

QA-0004-GB-02

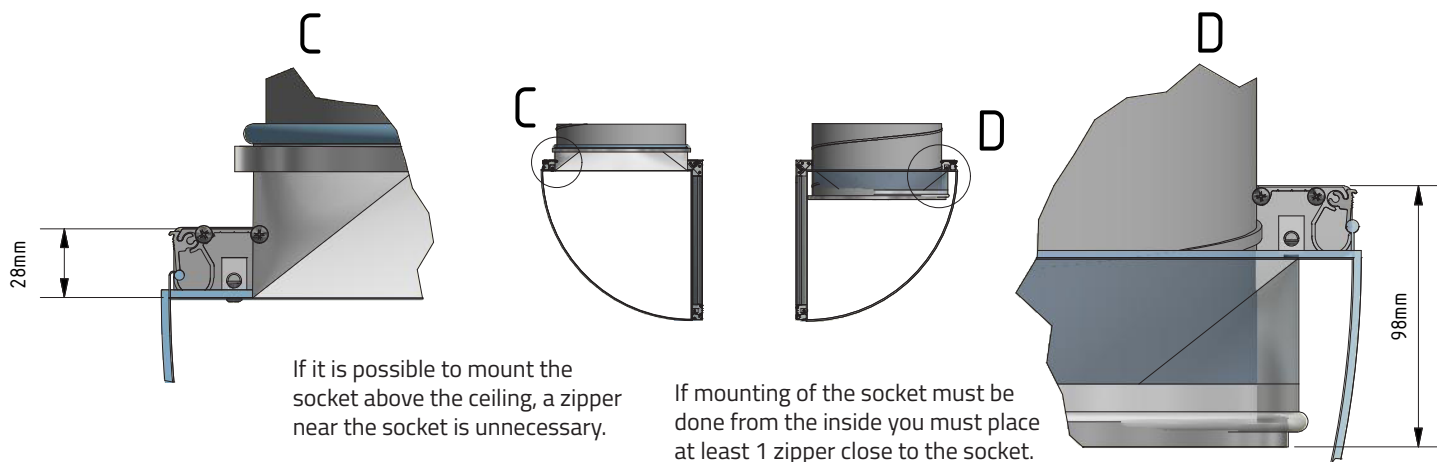


- L = Duct length
- LS = Length socket
- \varnothing = Socket diameter
- H = Height
- W = Width
- O = Offset
- A = Distance socket 1
- B = Distance socket 2



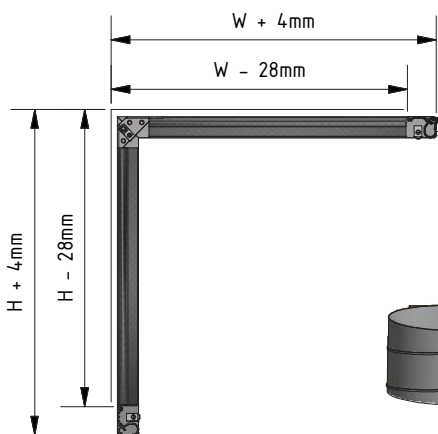
D-Alu for KE-½D Interior System (Rail Assembly)

QA-0005-GB-02

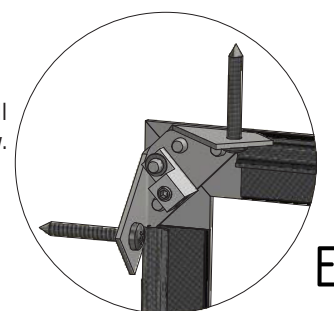


If it is possible to mount the socket above the ceiling, a zipper near the socket is unnecessary.

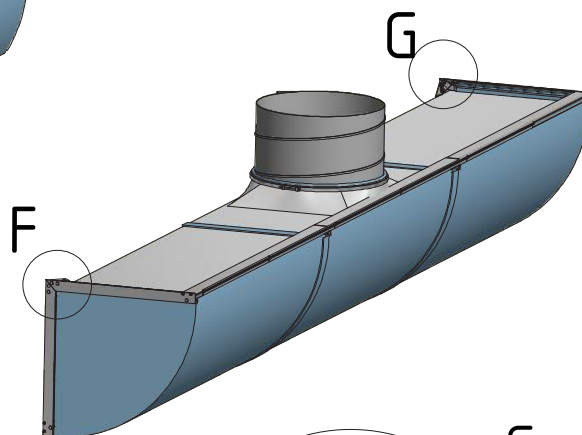
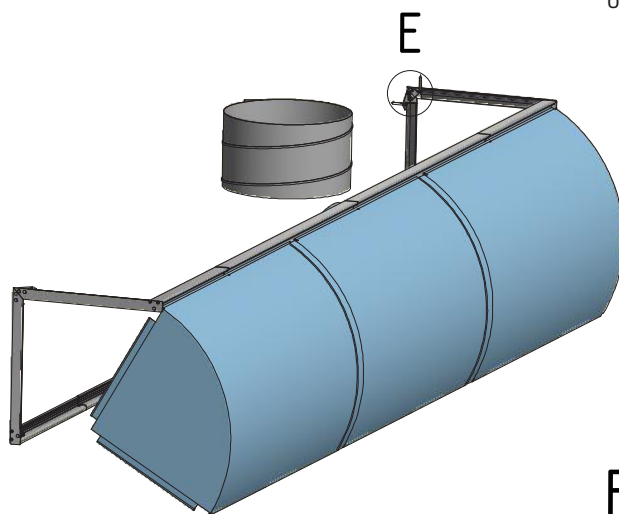
If mounting of the socket must be done from the inside you must place at least 1 zipper close to the socket. Otherwise a service zipper must be placed in the arch.



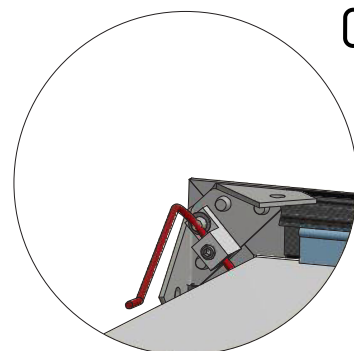
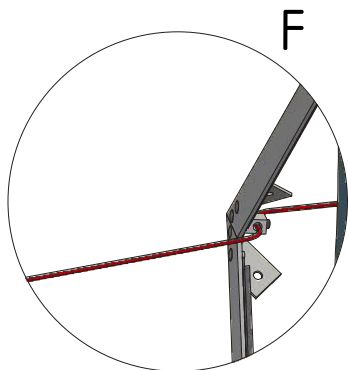
Fasten inner corner of rail to wall or ceiling with at least one screw.



Remember to mount socket after finishing first bulb in rail.



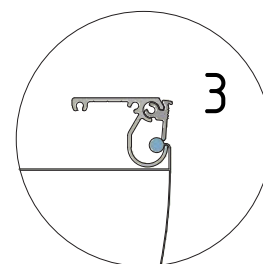
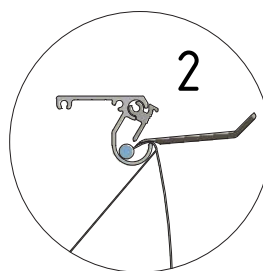
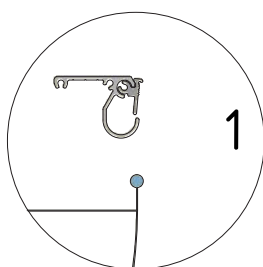
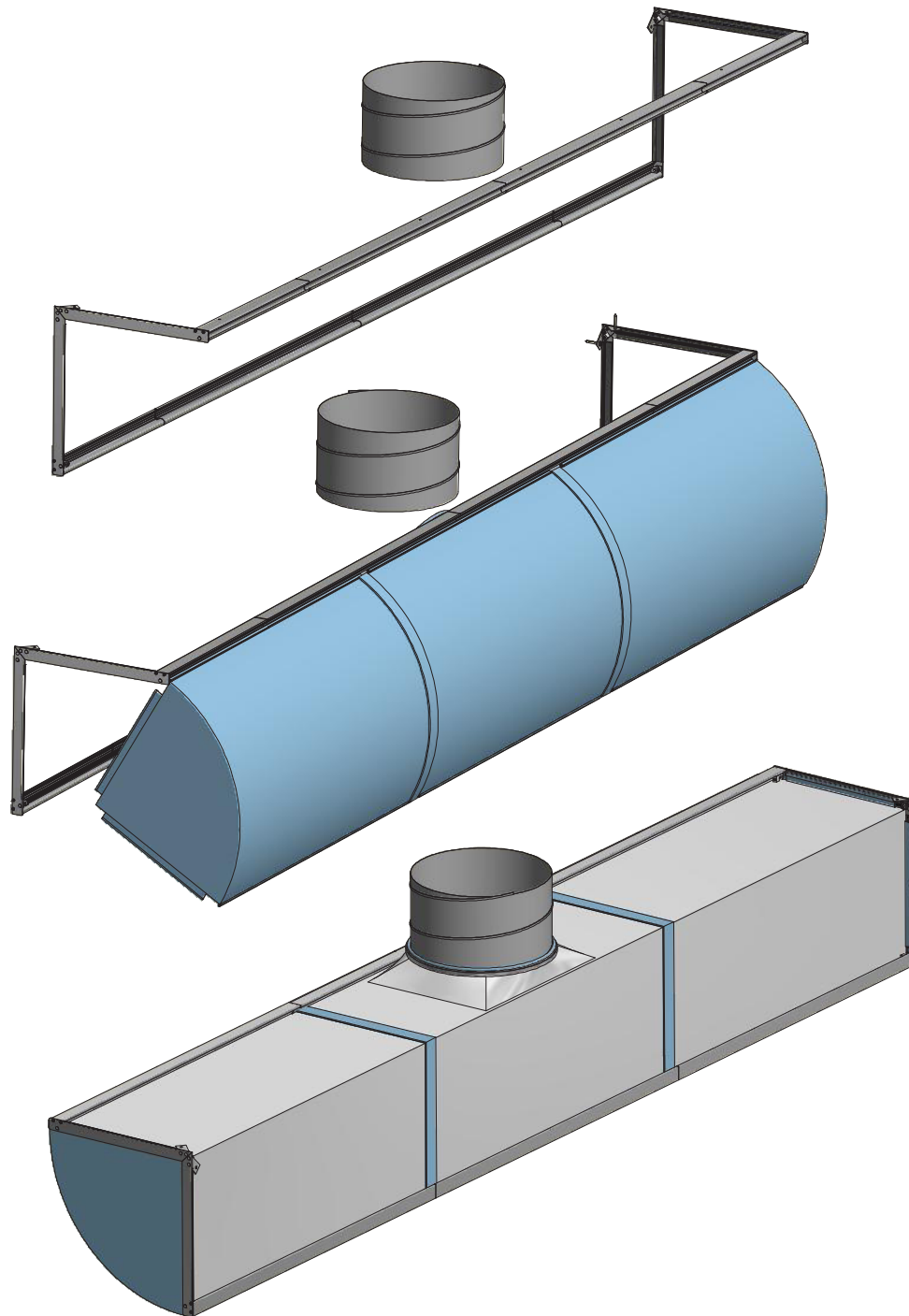
Feed cord through hole. Pull/push the duct along the rails until reaching the end section. Tighten the grub screw with a 3 mm Allen key (not included).



D-Alu for KE-½D Interior System (Mounting of Duct)

AIR THE WAY YOU WANT

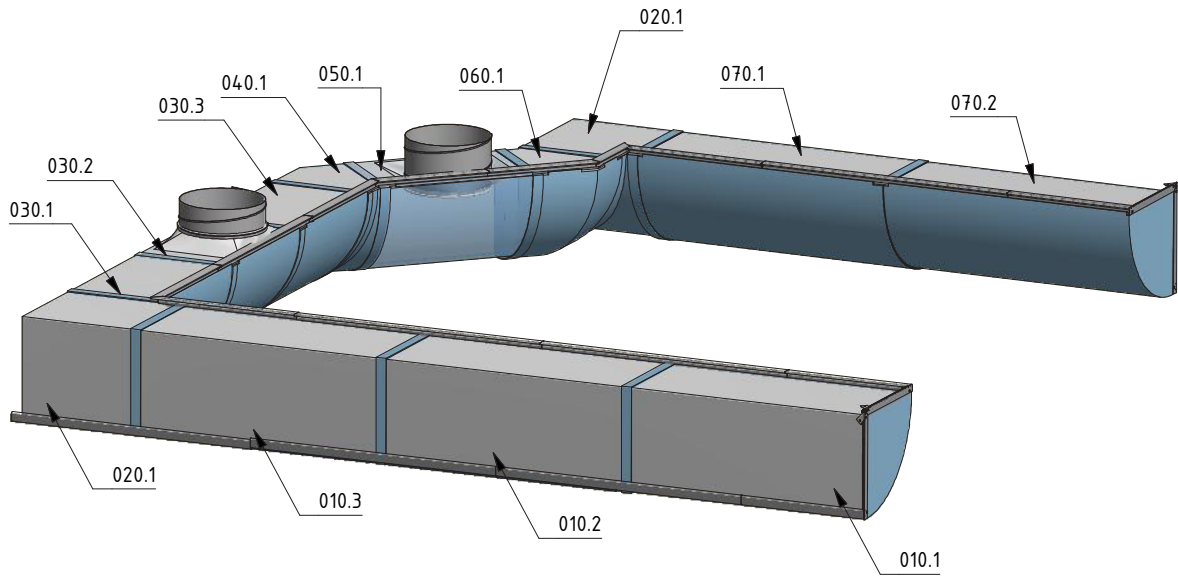
QA-0006-GB-02



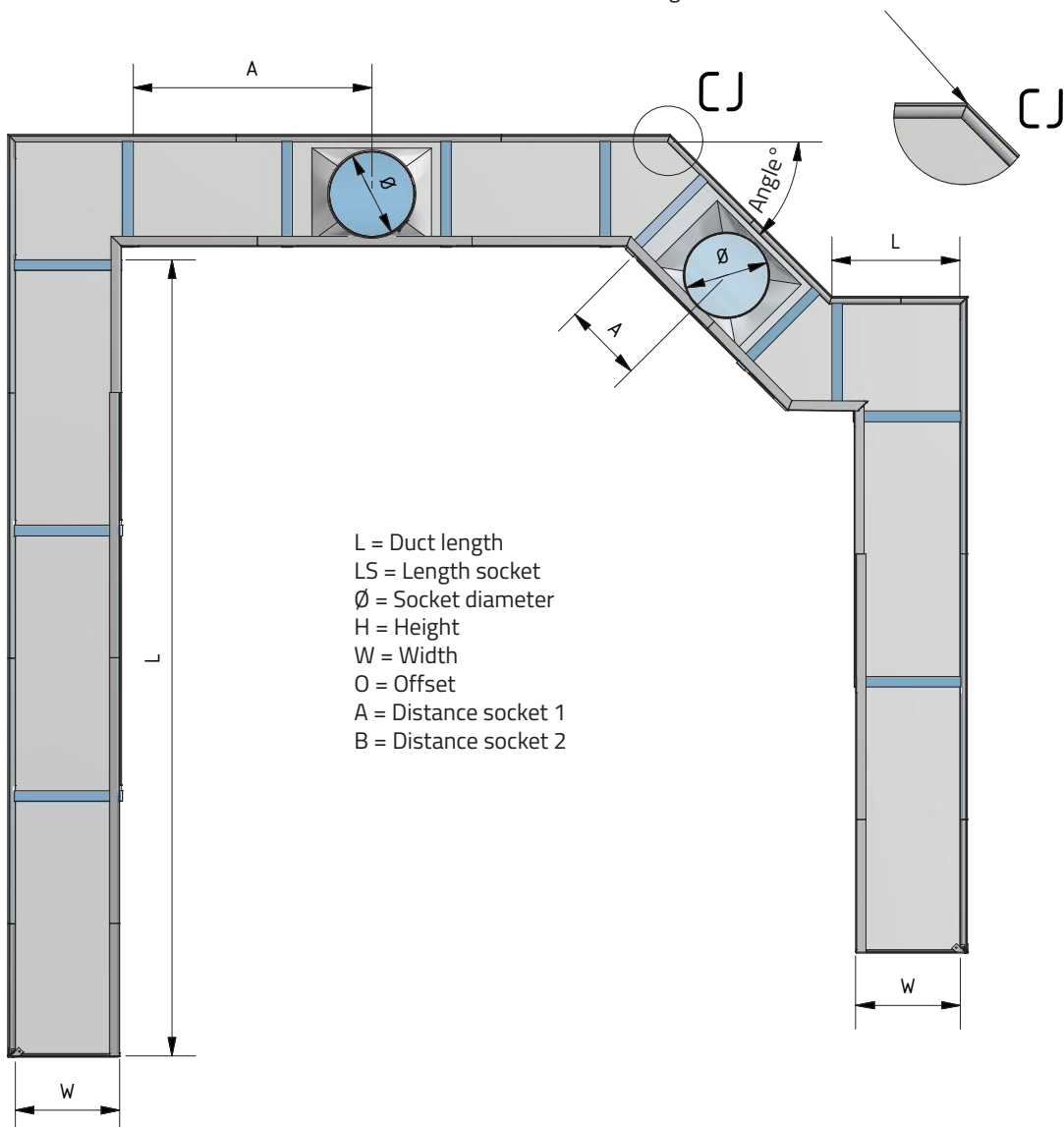
D-Alu Suspension for KE-½D Interior System (Plenum)

AIR THE WAY YOU WANT

QA-0007-GB-02



No joining pins for elbows. The rail section immediately before and after the elbow must be fixed to the ceiling with min. 2 screws.

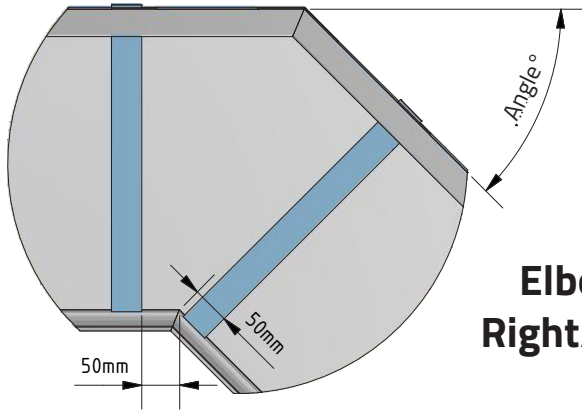


D-Alu Suspension for KE-½D Interior System (Elbow)

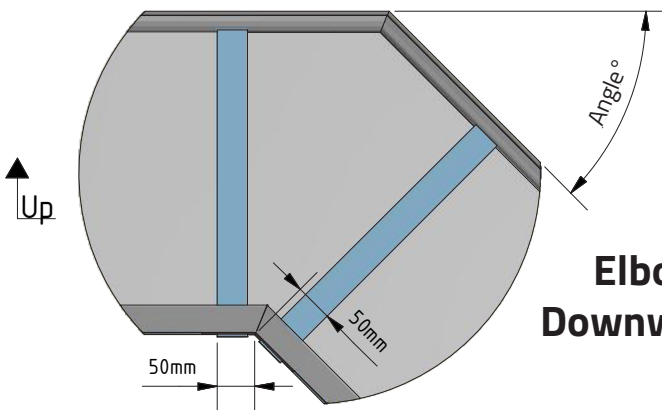
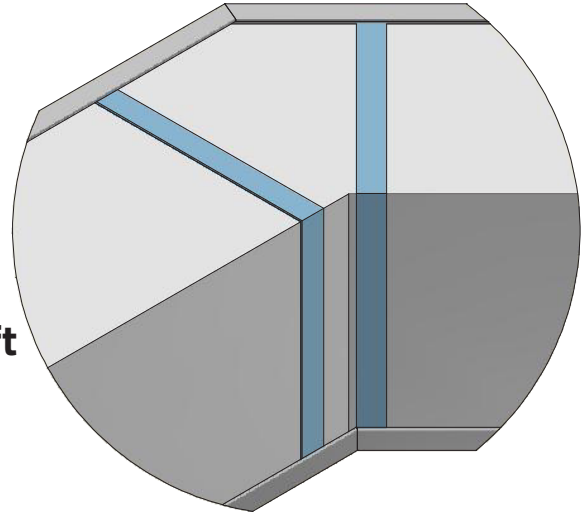
AIR THE WAY YOU WANT

QA-0008-GB-02

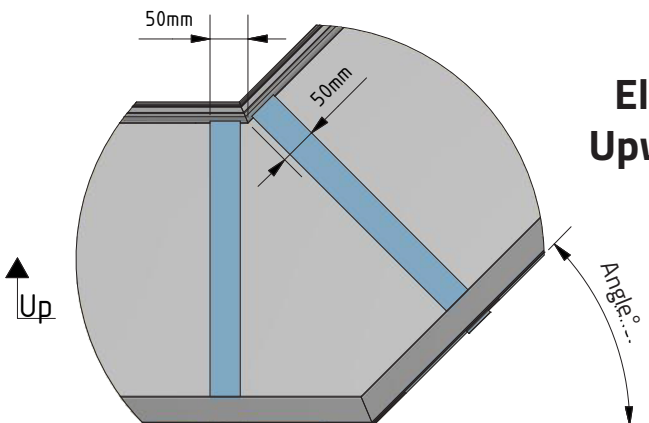
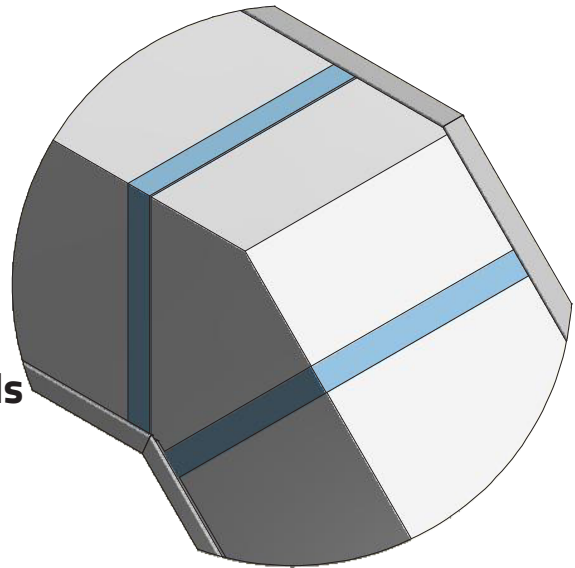
See delivery note for specific angle



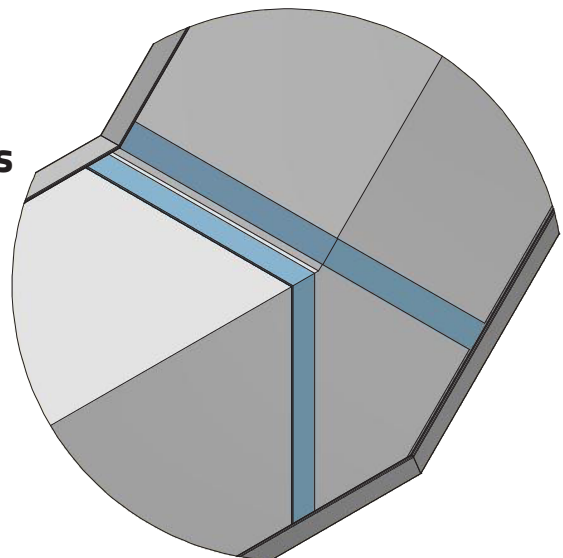
**Elbow
Right/Left**



**Elbow
Downwards**



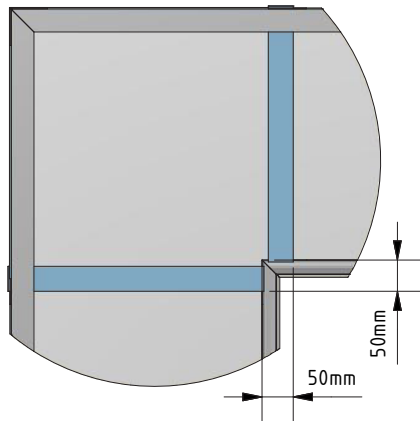
**Elbow
Upwards**



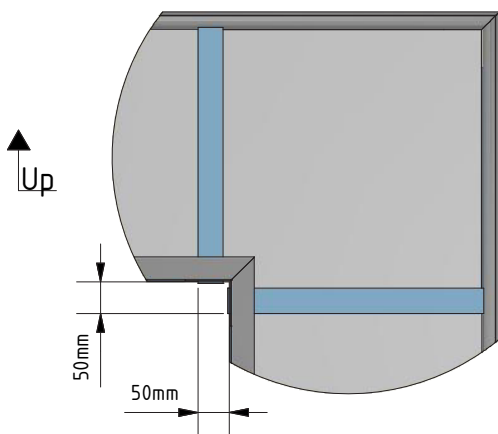
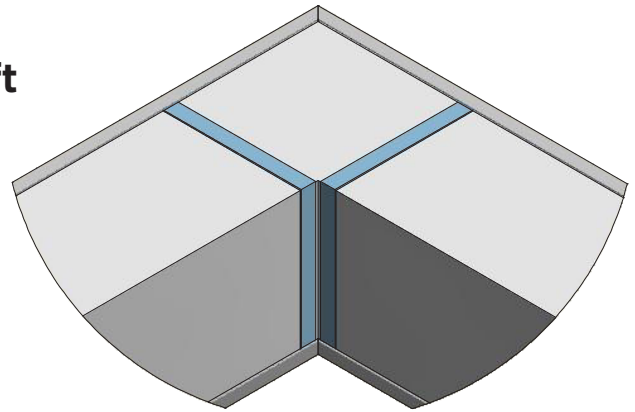
D-Alu for KE-½D Interior System (Elbow 90°)

QA-0009-GB-02

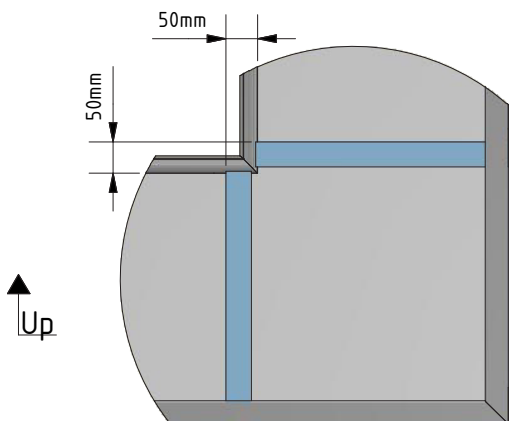
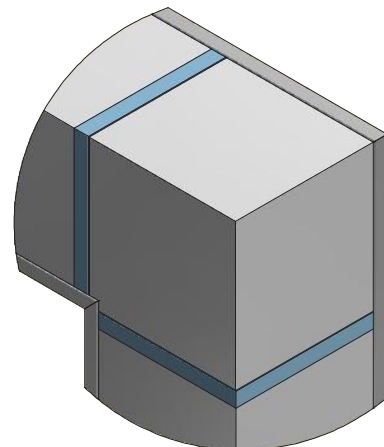
AIR THE WAY YOU WANT



**Elbow
Right/Left**



**Elbow
Downwards**



**Elbow
Upwards**

