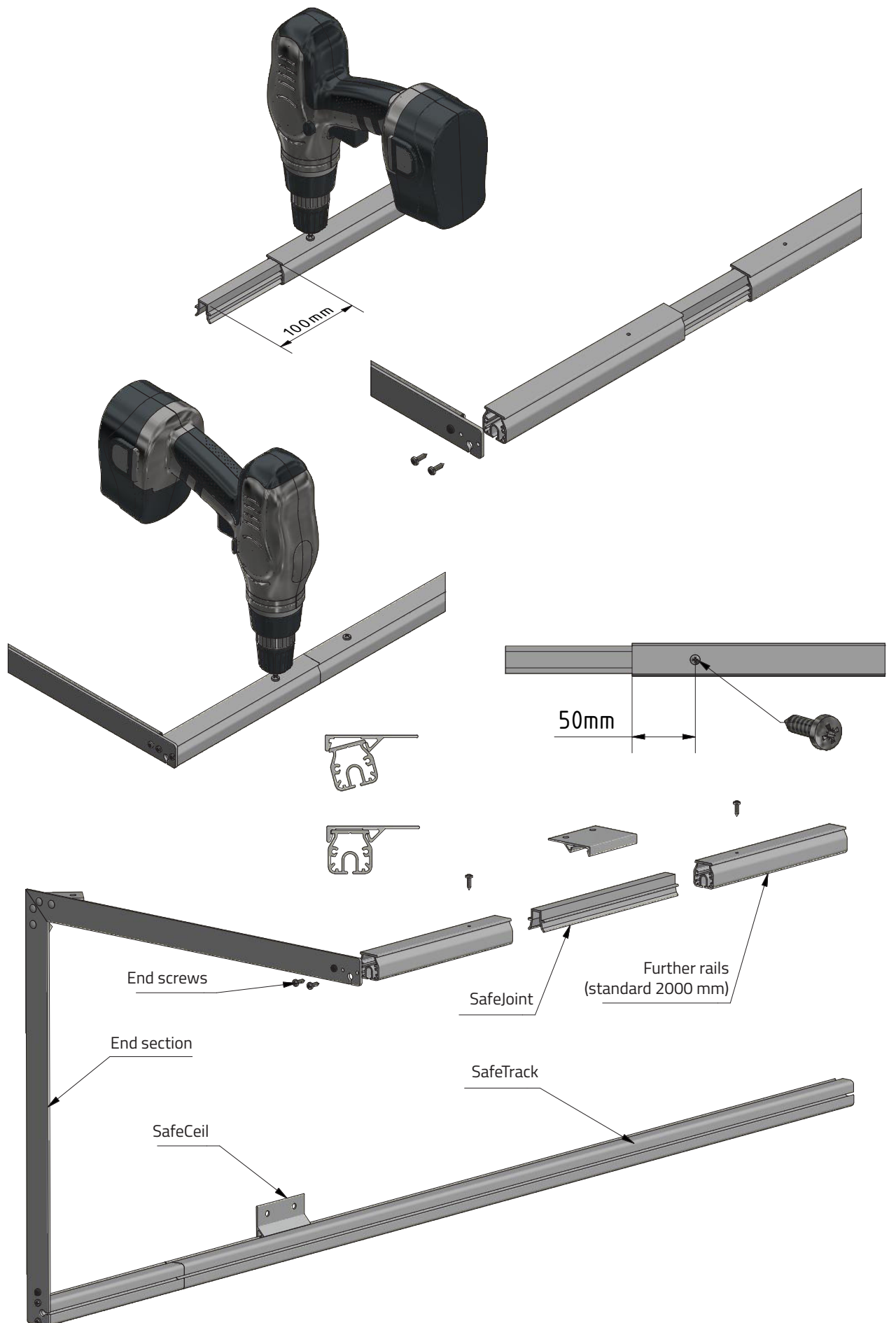


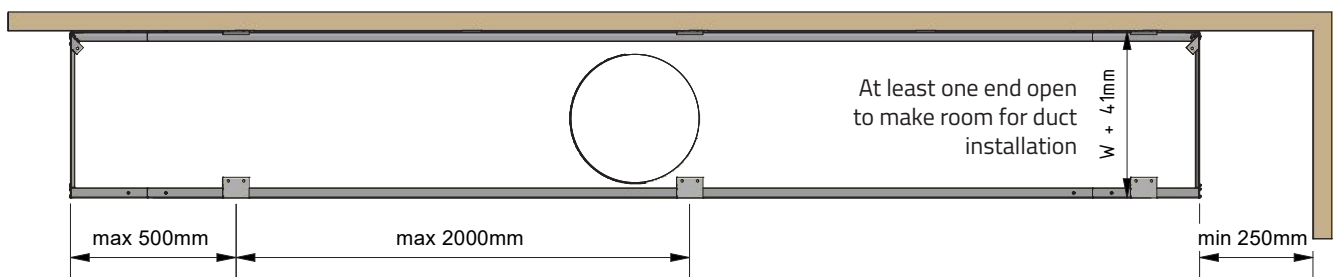
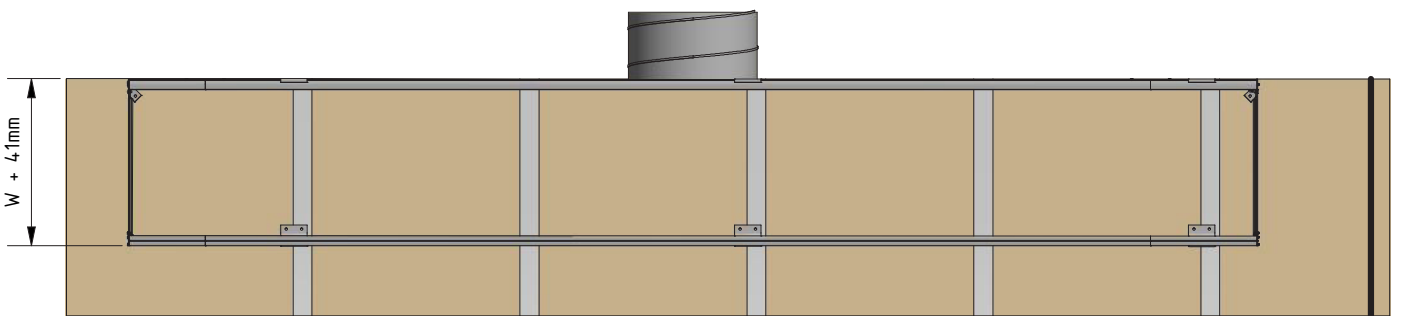
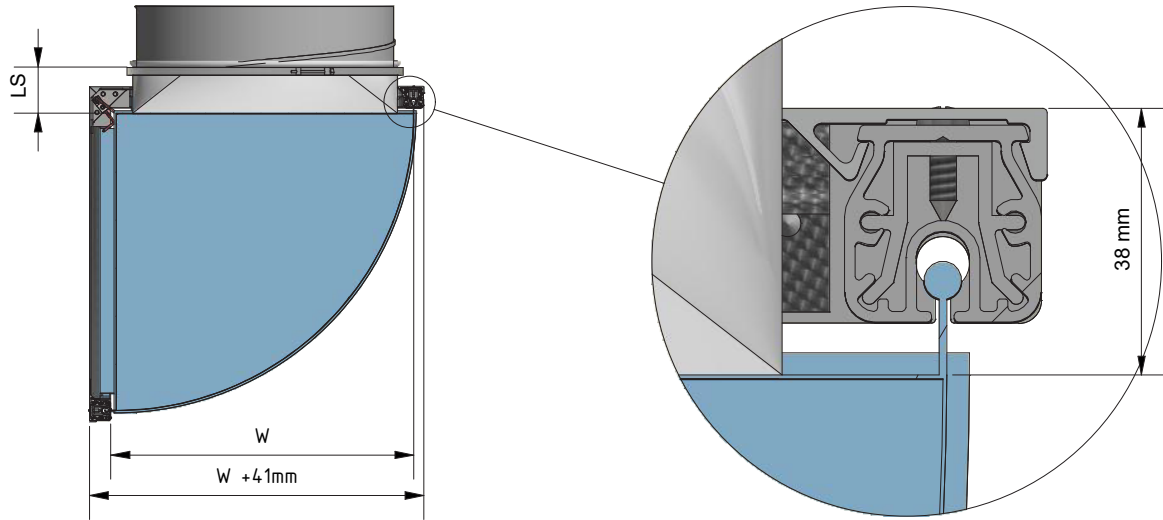
# D-Safetrack for KE-½D Interior System

QS-0003-GB-02

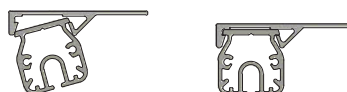


# D-Safetrack for KE-½D Interior System (SafeCeil)

QS-0004-GB-03

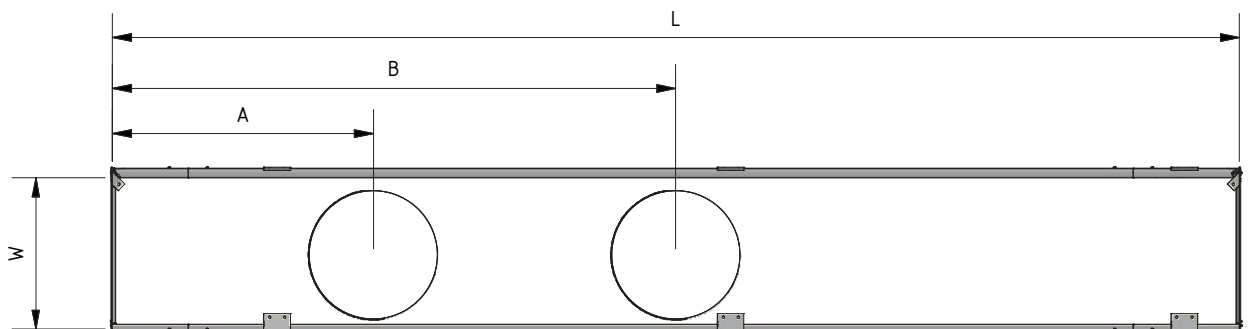
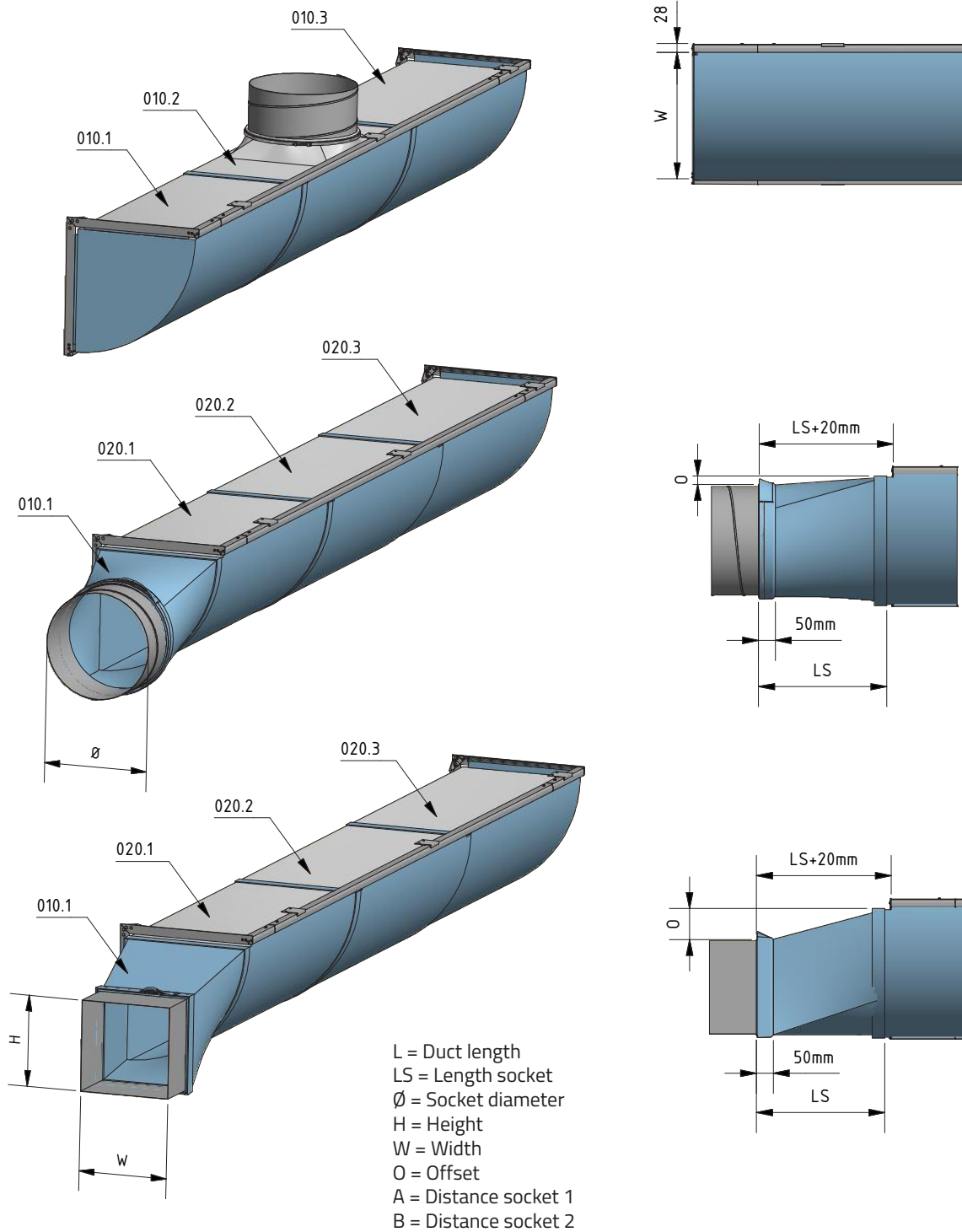


- L = Duct length
- LS = Length socket
- Ø = Socket diameter
- H = Height
- W = Width
- O = Offset
- A = Distance socket 1
- B = Distance socket 2



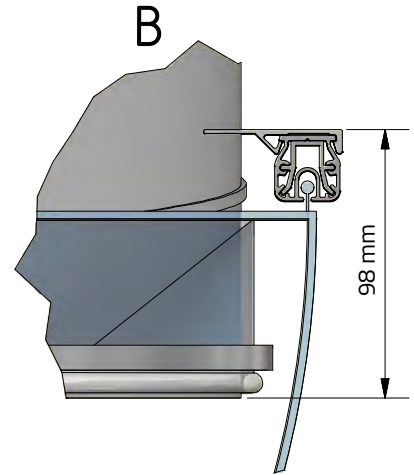
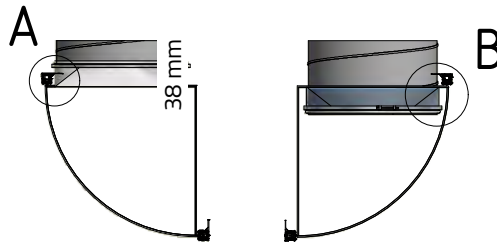
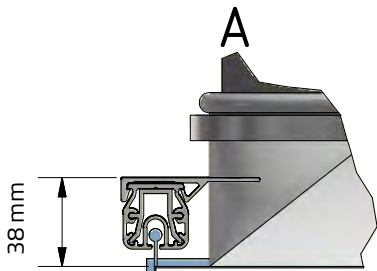
# D-Safetrack for KE-½D Interior System (Inlet Options)

QS-0005-GB-02



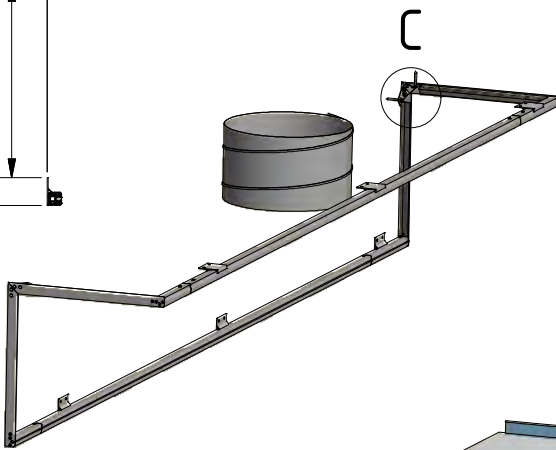
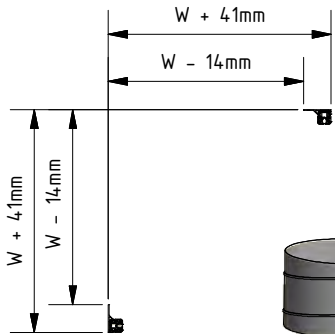
# D-Safetrack for KE-½D Interior System (Rail Assembly)

QS-0006-GB-03

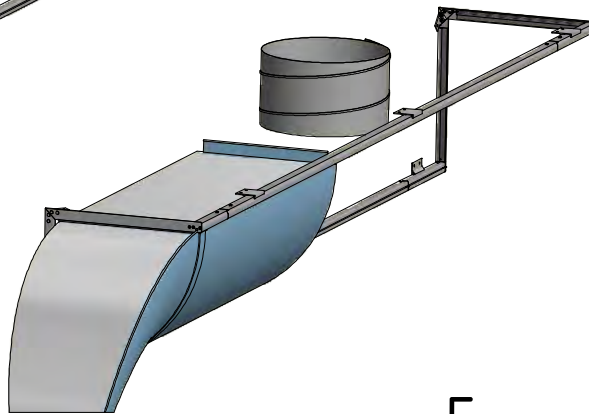
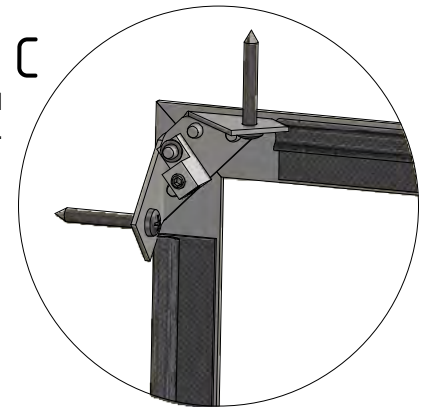


If it is possible to mount the socket above a false ceiling, a zipper near the socket on the duct is not necessary.

If mounting of the socket must be done from inside the space you must place at least 1 zipper close to the socket. Otherwise a service zipper must be placed in the arc of the duct.

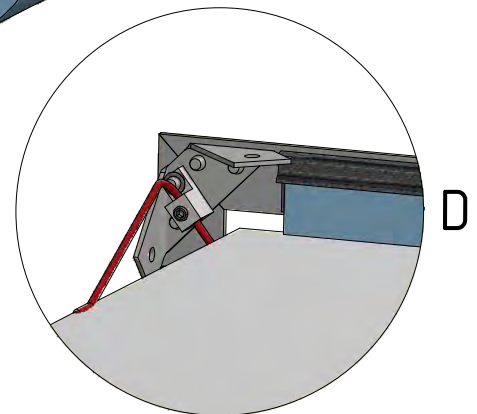
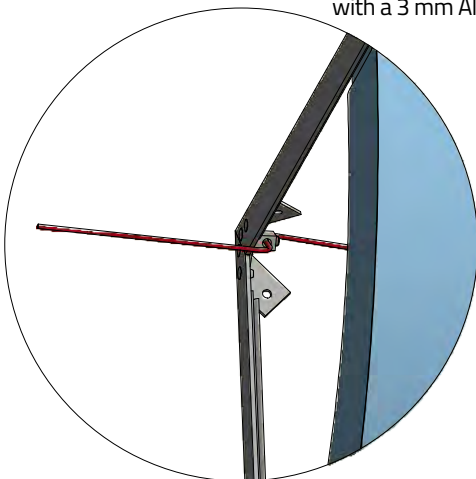
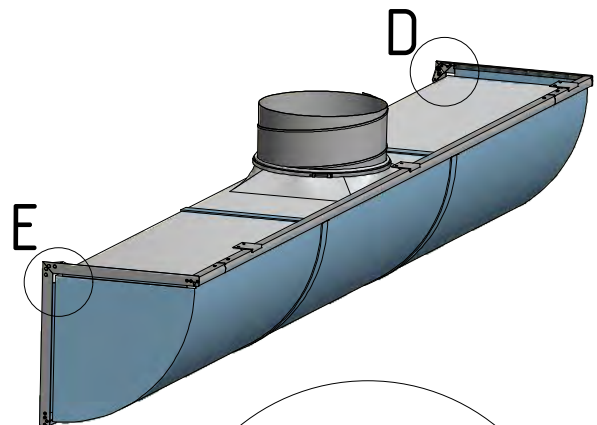


Fasten inner corner of rail to wall or ceiling with at least one screw.



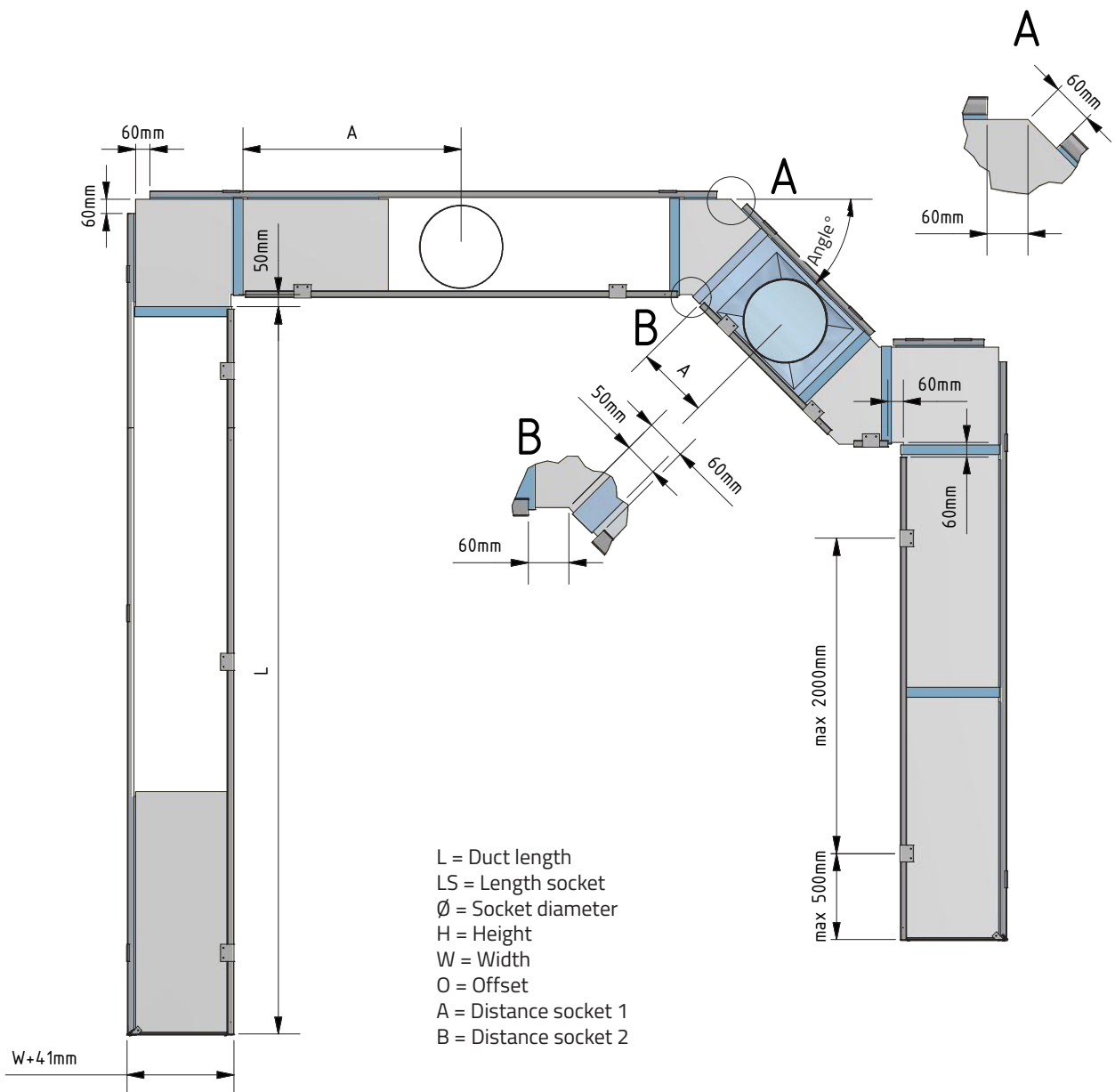
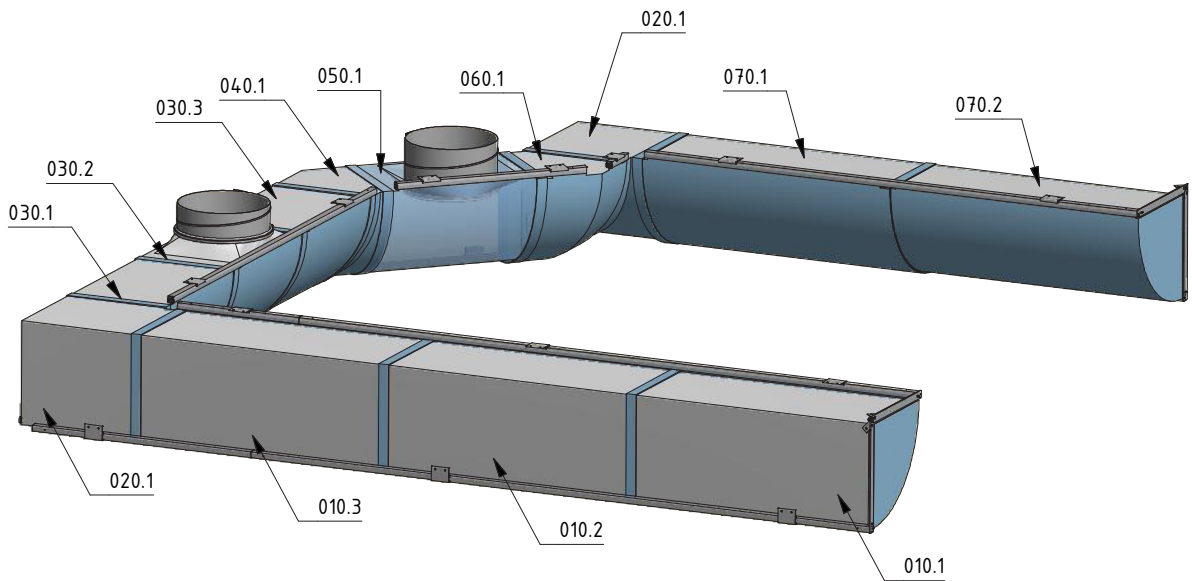
- L = Duct length
- LS = Length socket
- Ø = Socket diameter
- H = Height
- W = Width
- O = Offset
- A = Distance socket 1
- B = Distance socket 2

Feed cord through hole. Pull/push the duct along the rails until reaching the end section. Tighten the grub screw with a 3 mm Allen key (not included).



# D-Safetrack for KE-½D Interior System (Plenum)

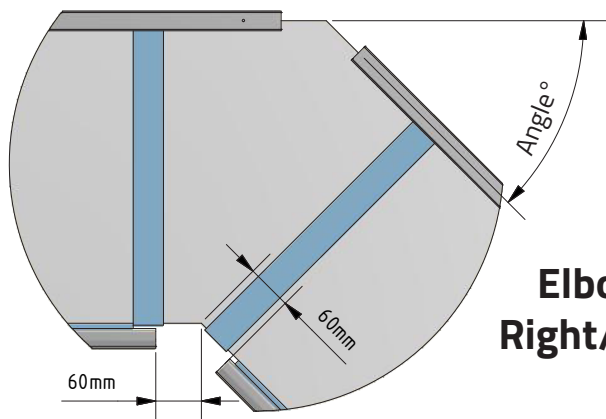
QS-0007-GB-02



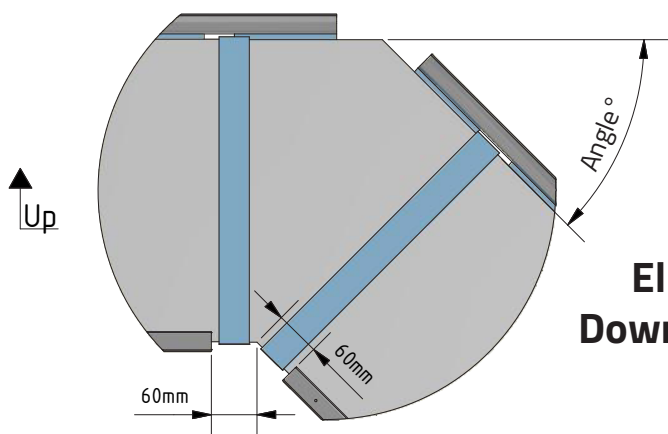
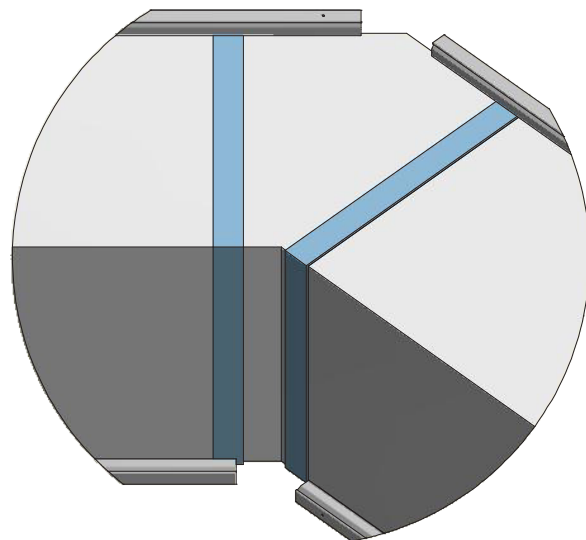
# D-Safetrack for KE-½D Interior System (Elbow)

QS-0008-GB-02

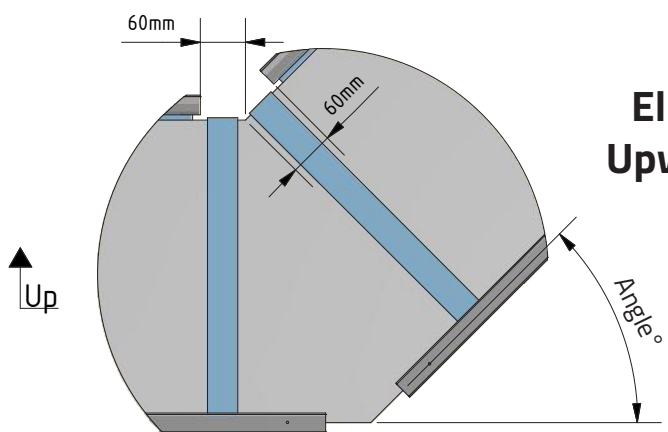
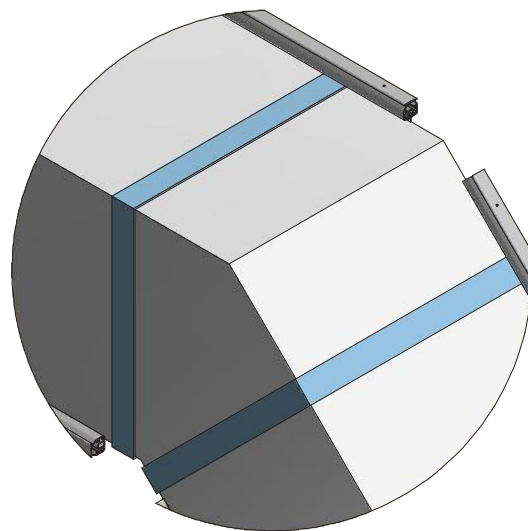
See delivery note for specific angle



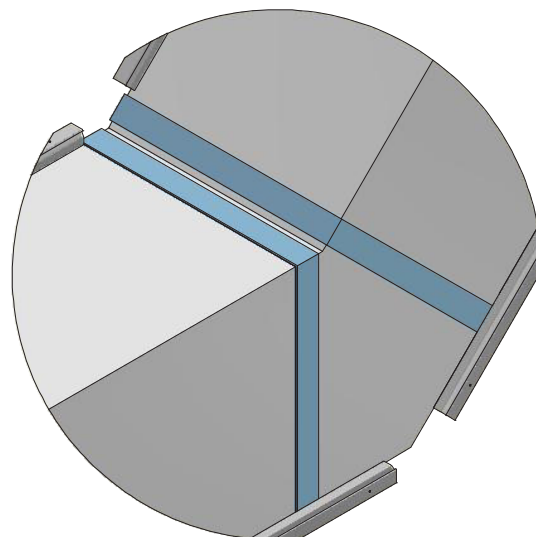
**Elbow  
Right/Left**



**Elbow  
Downwards**

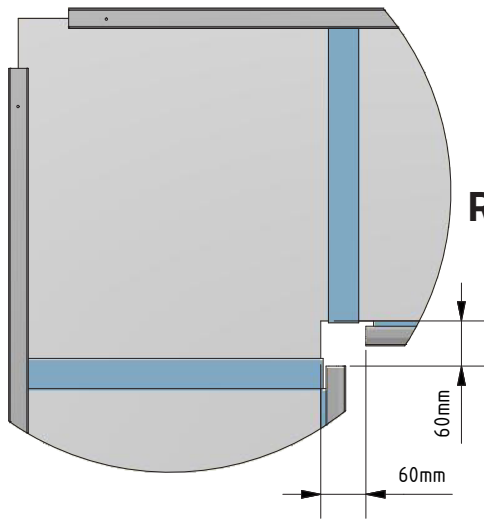


**Elbow  
Upwards**

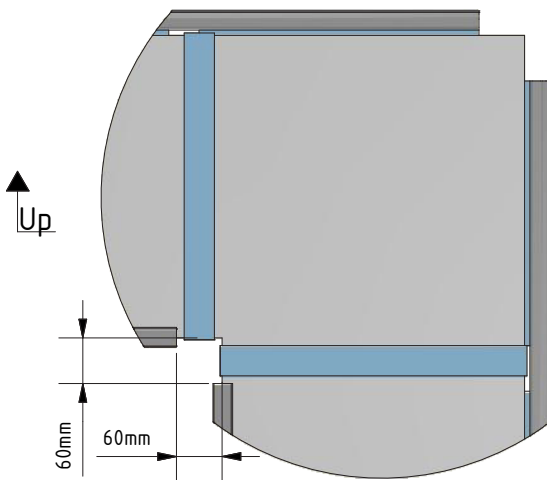
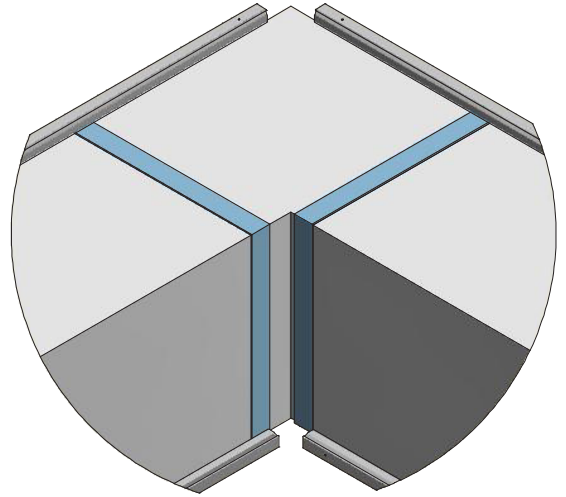


# D-Safetrack for KE-½D Interior System (Elbow 90°)

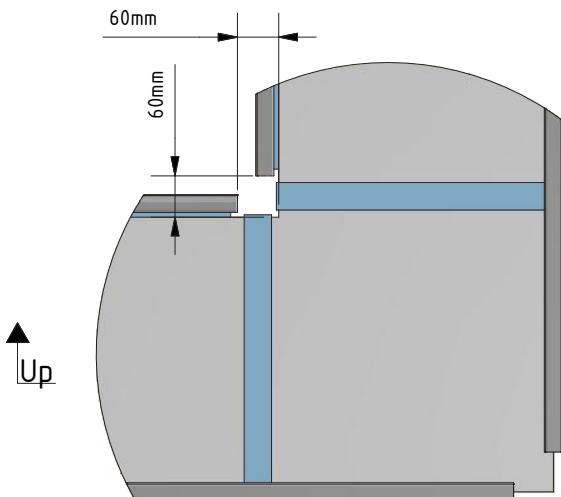
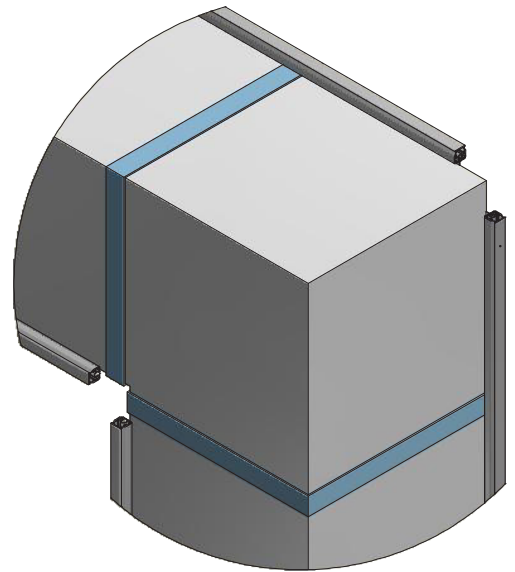
QS-0009-GB-02



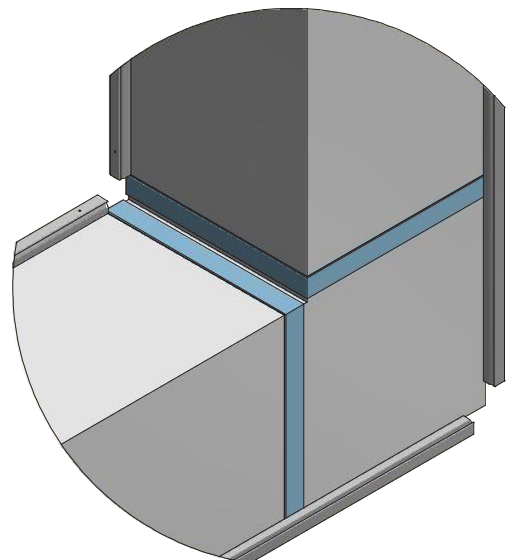
**Elbow  
Right/Left**



**Elbow  
Downwards**



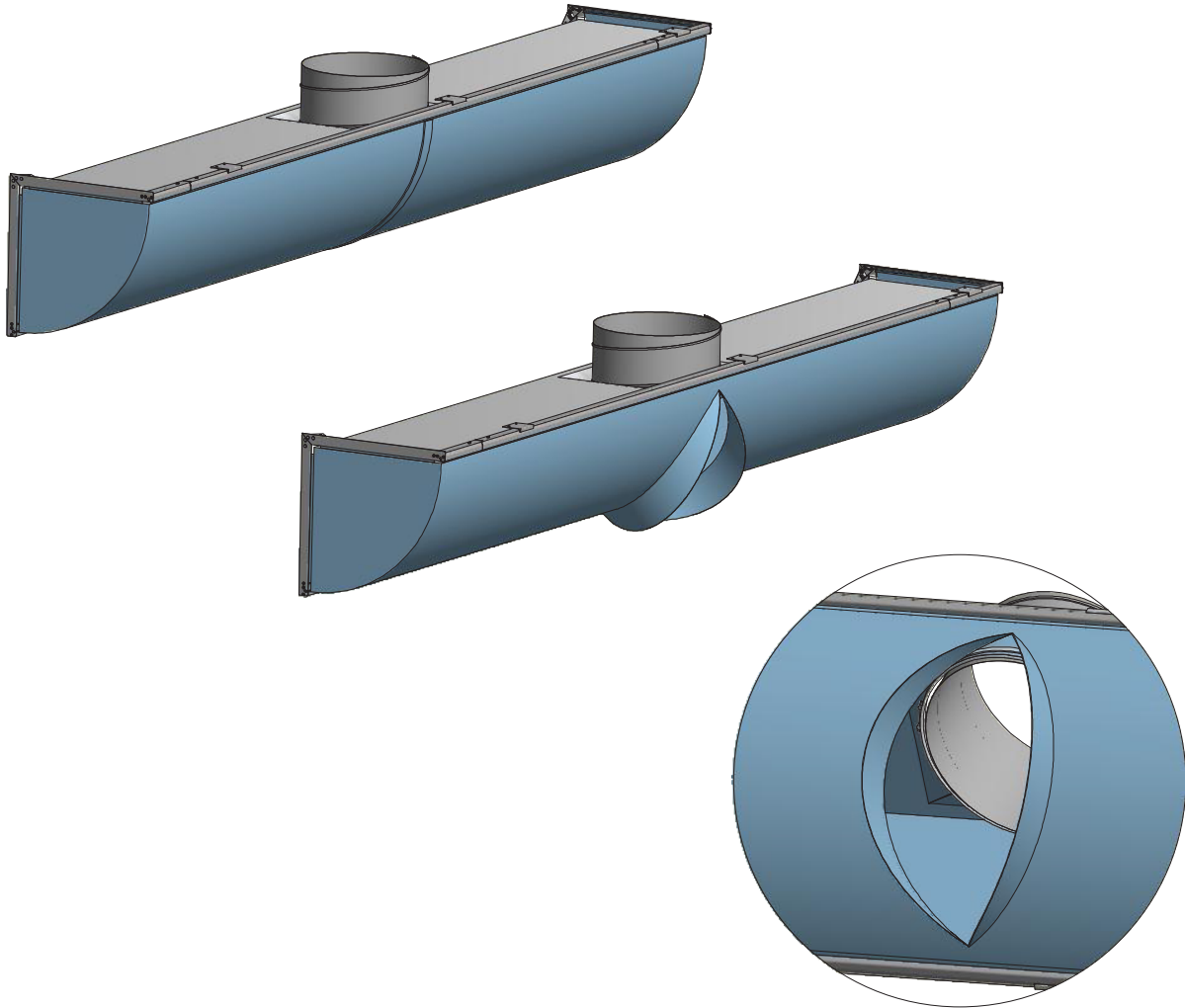
**Elbow  
Upwards**



## D-Safetrack for KE- $\frac{1}{2}$ D Interior System (Service Zipper)

QS-0010-GB-02

### D-Safetrack $\frac{1}{2}$ D-Duct with Service Zipper



### D-Safetrack $\frac{1}{2}$ D-Duct with Zipper

