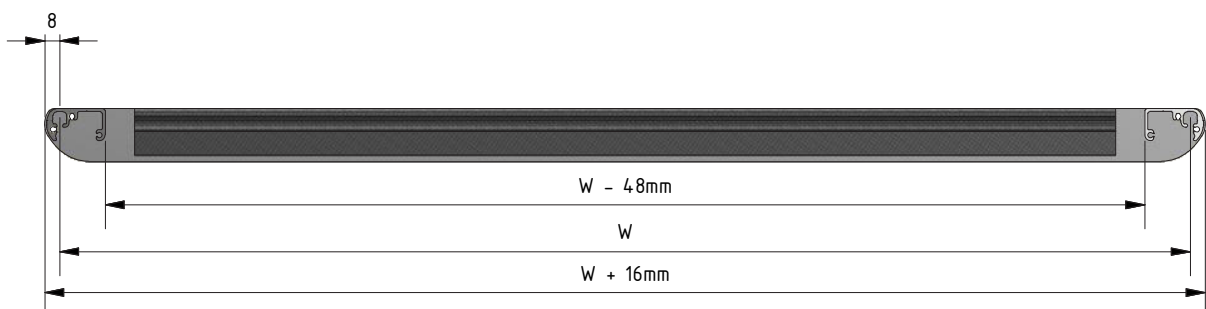
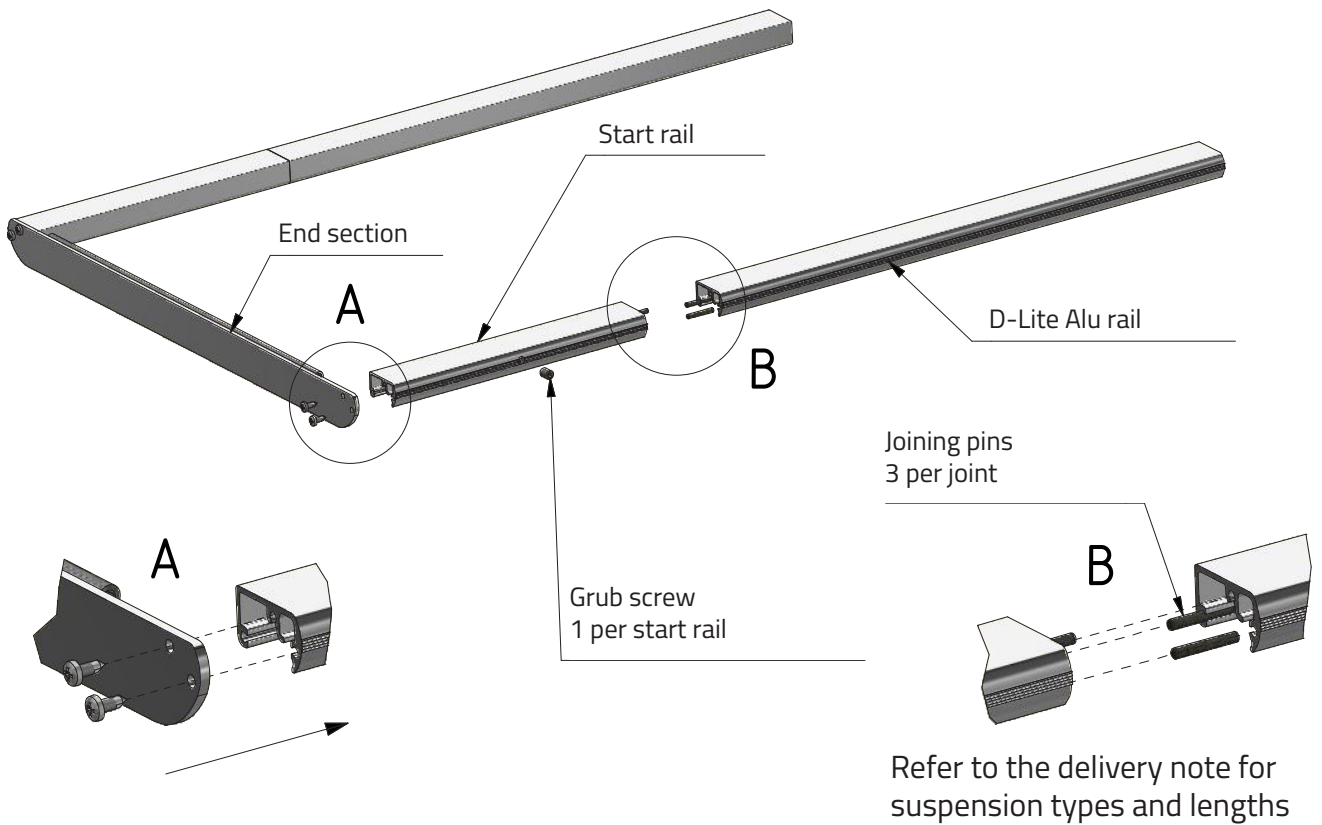


D-Lite Alu Suspension for KE-Interior System

DL-0003-GB-02

Install rail system according to drawings and enclosed mounting instructions

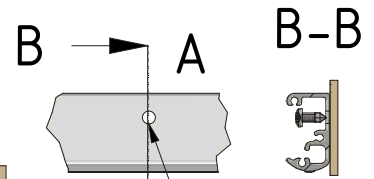
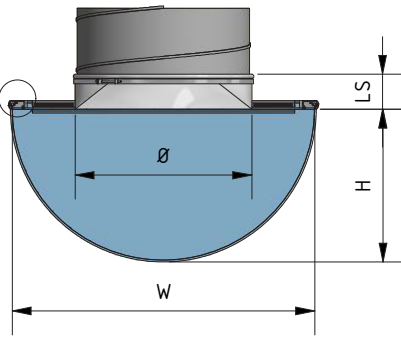
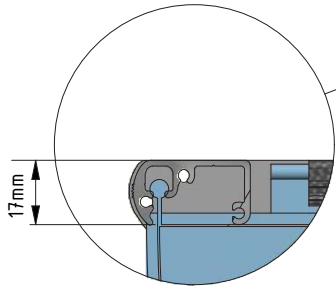


D-Lite Alu for KE-Interior System (Straight Duct)

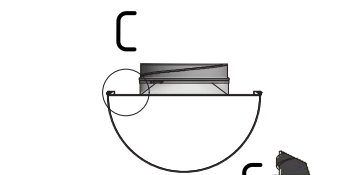
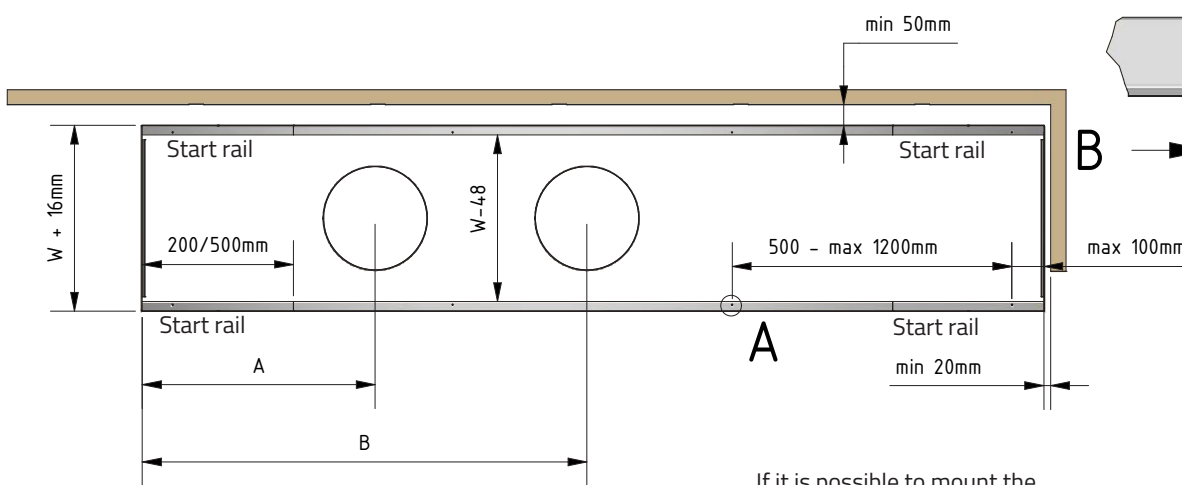
DL-0004-GB-02

Min. height (LS) edge/cord = 50 mm

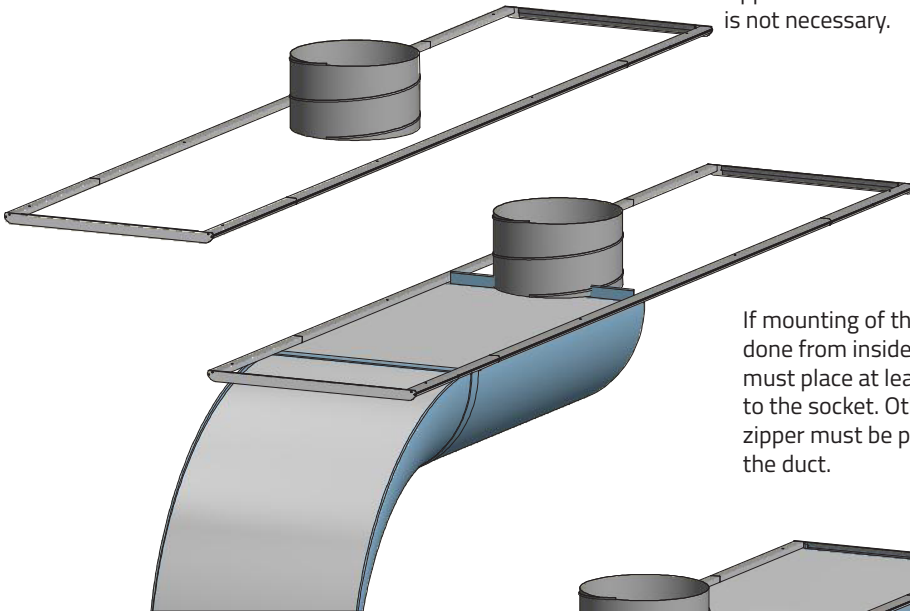
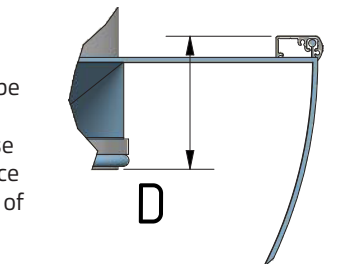
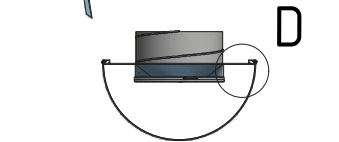
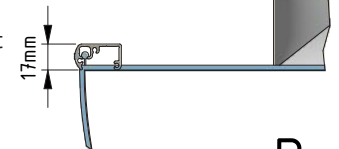
- L = Duct length
- LS = Length socket
- ∅ = Socket diameter
- H = Height
- W = Width
- O = Offset
- A = Distance socket 1
- B = Distance socket 2



Drill hole acc. to ceiling type for installation of rail. Screws not included.

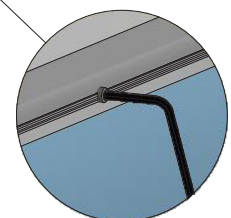


If it is possible to mount the socket above a false ceiling, a zipper near the socket on the duct is not necessary.



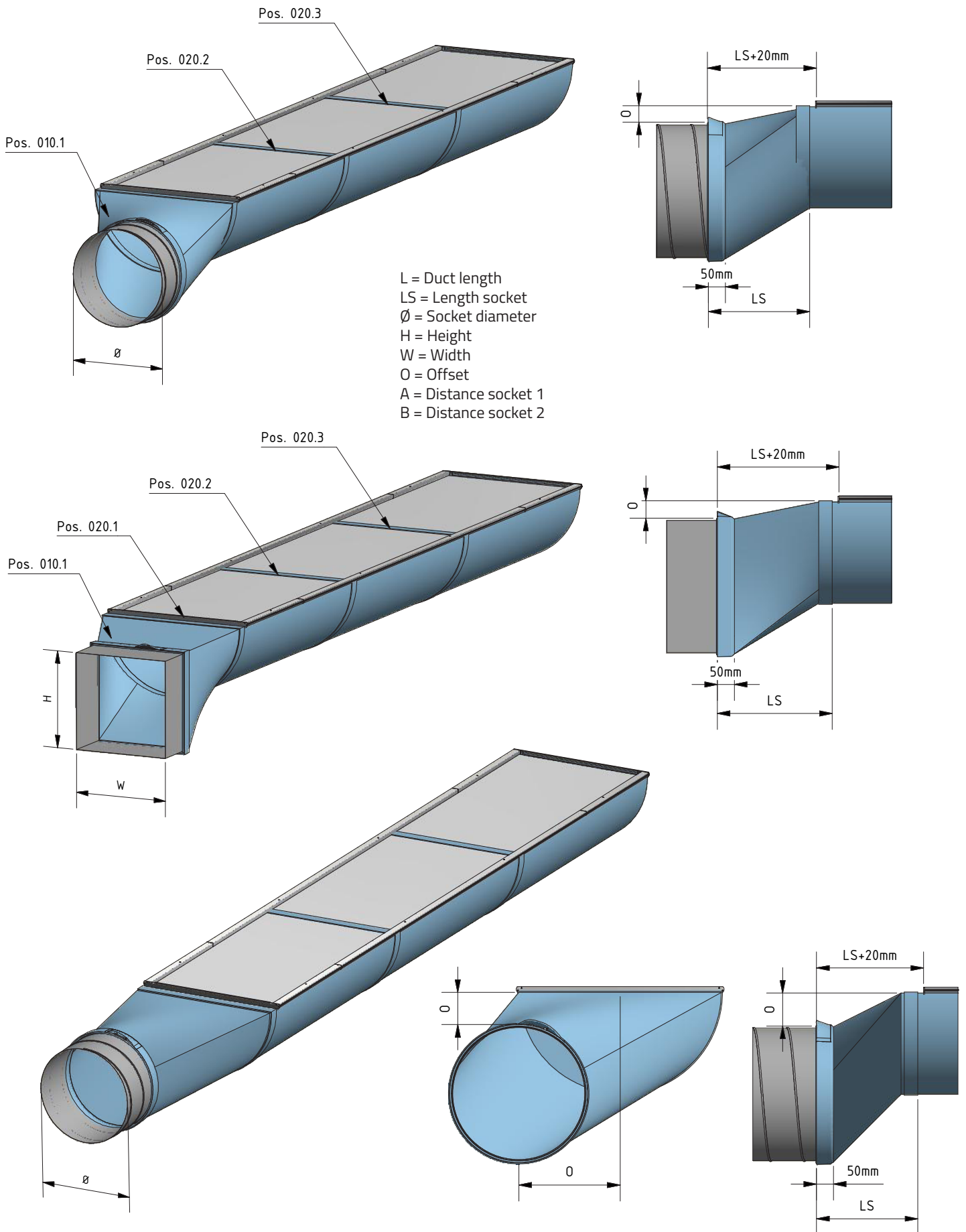
If mounting of the socket must be done from inside the space you must place at least 1 zipper close to the socket. Otherwise a service zipper must be placed in the arc of the duct.

Upon properly installing the textile duct, tighten the grub screws with a 3 mm Allen key (not included).



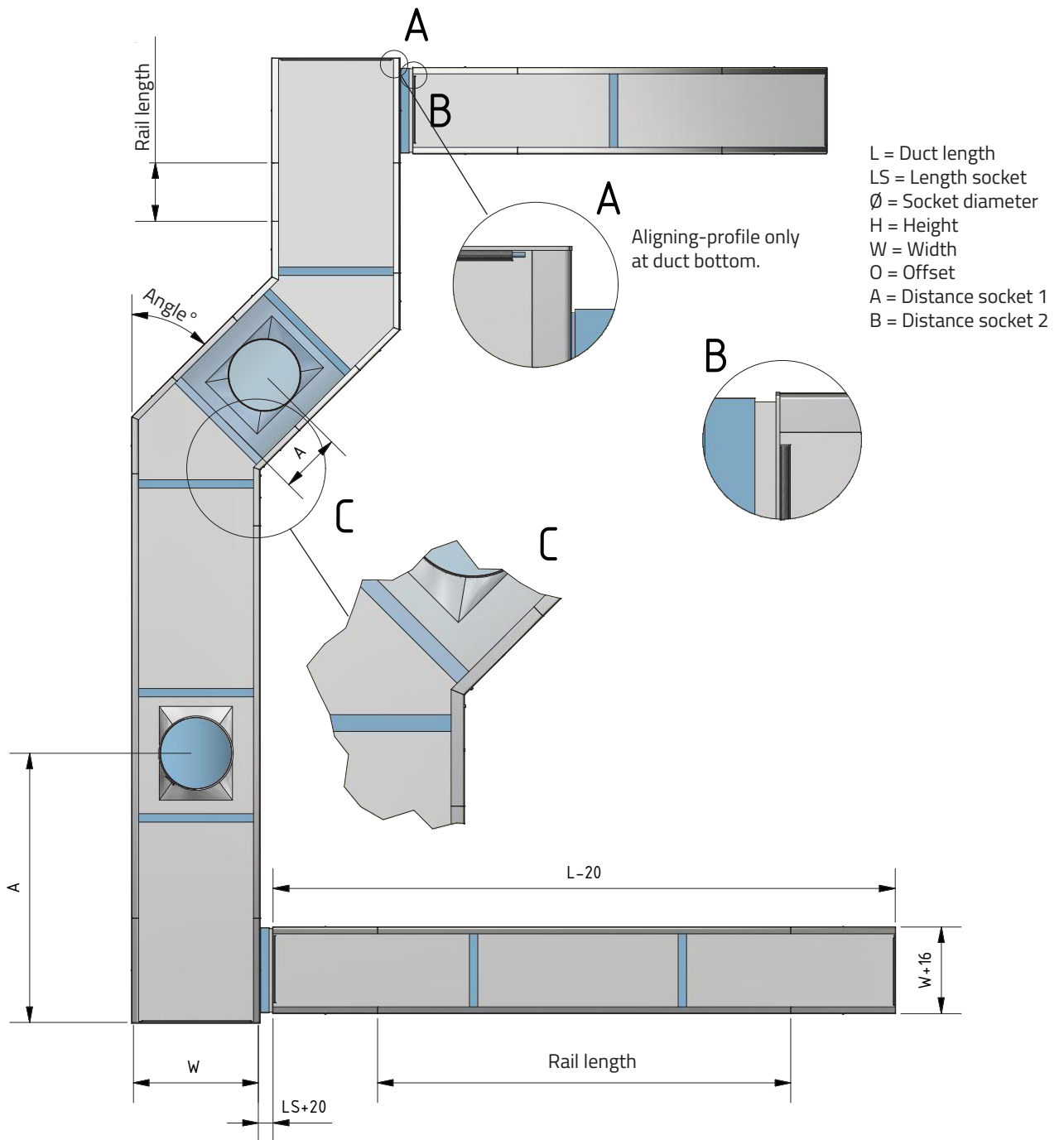
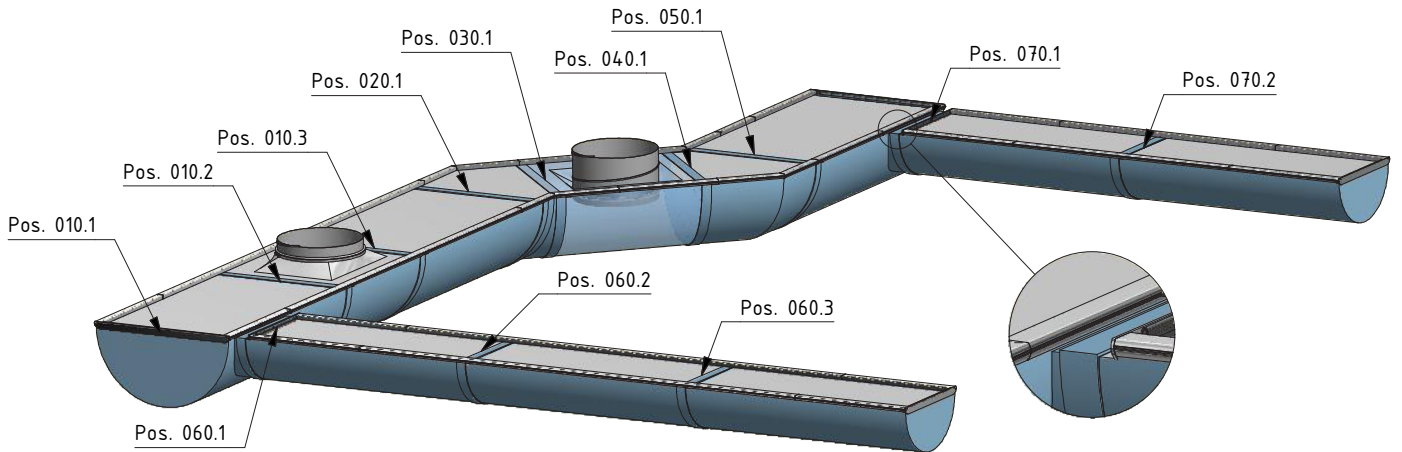
D-Lite Alu for KE-Interior System (Inlet Options)

DL-0005-GB-02



D-Lite Alu Suspension for KE-Interior System (Plenum)

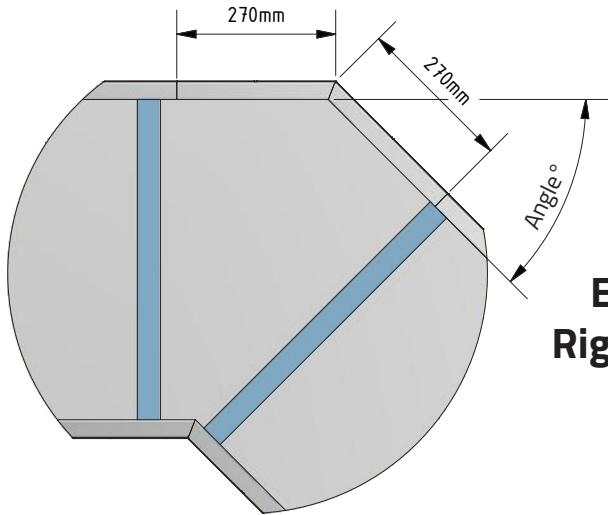
DL-0006-GB-02



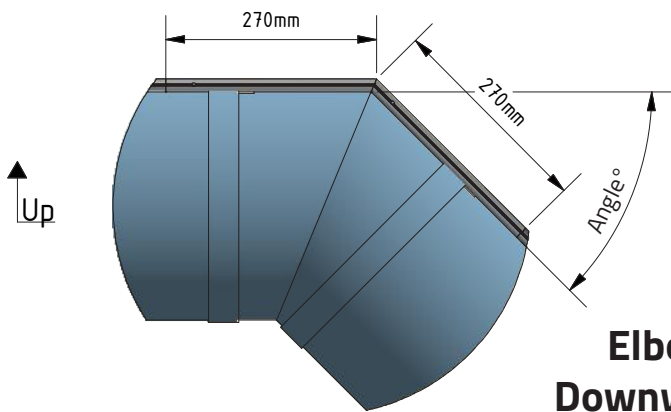
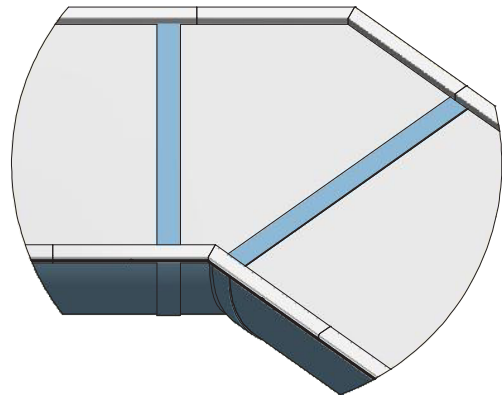
D-Lite Alu Suspension for KE-Interior System (Elbow)

DL-0007-GB-02

See delivery note for specific angle

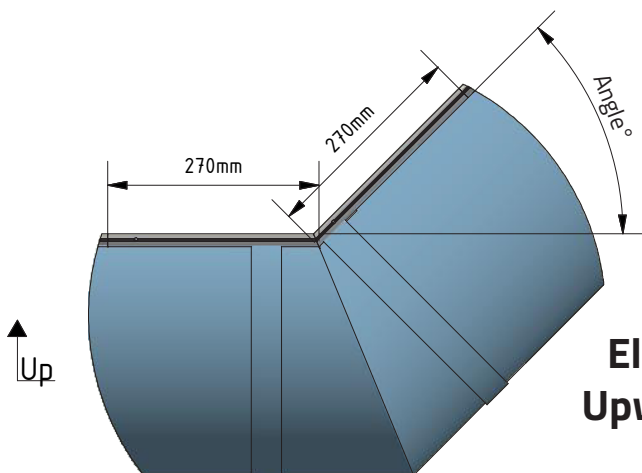
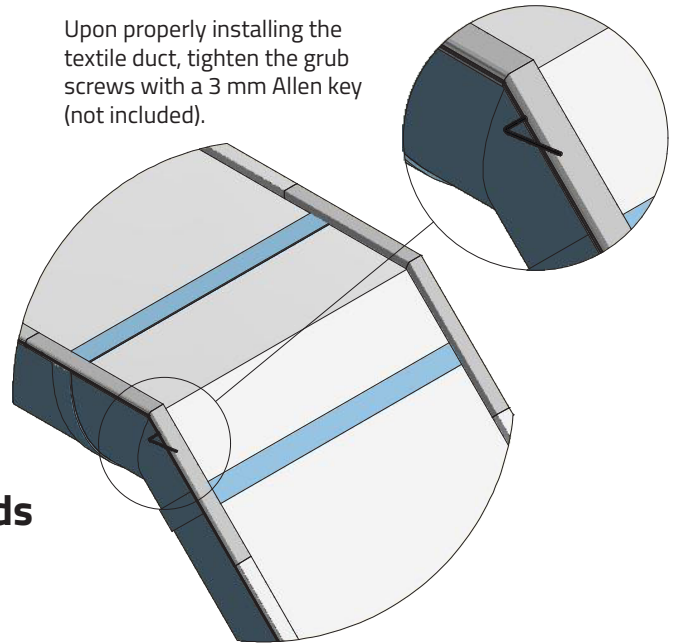


**Elbow
Right/Left**

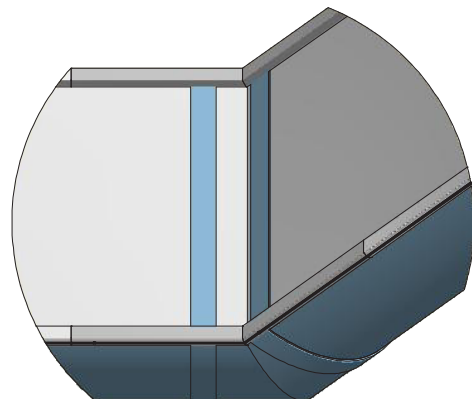


**Elbow
Downwards**

Upon properly installing the textile duct, tighten the grub screws with a 3 mm Allen key (not included).

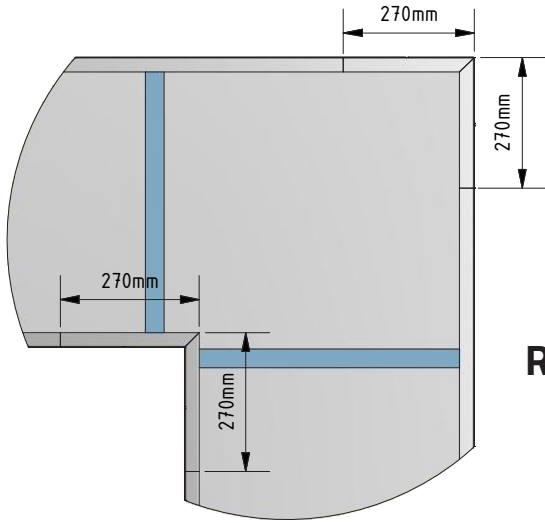


**Elbow
Upwards**

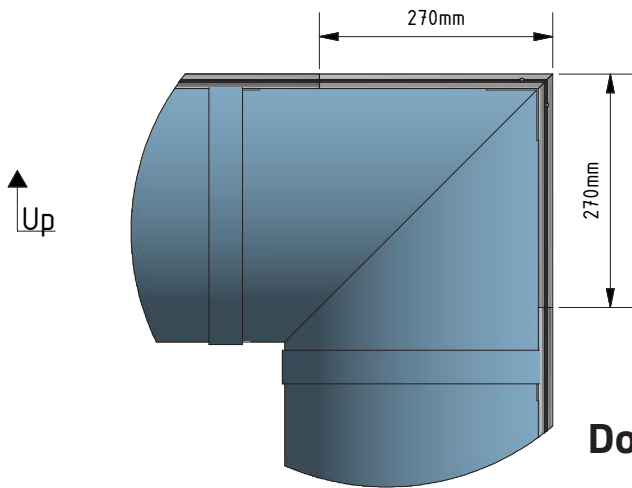
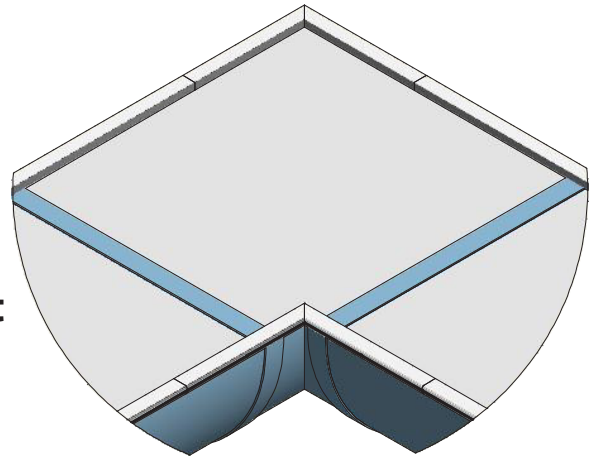


D-Lite Alu for KE-Interior System (Elbow 90°)

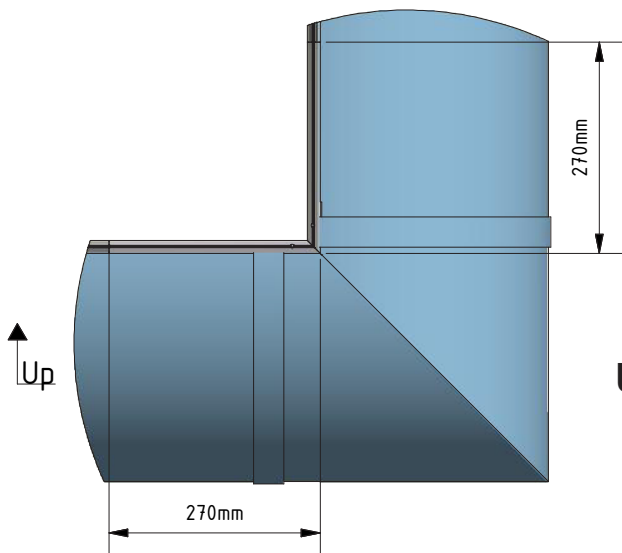
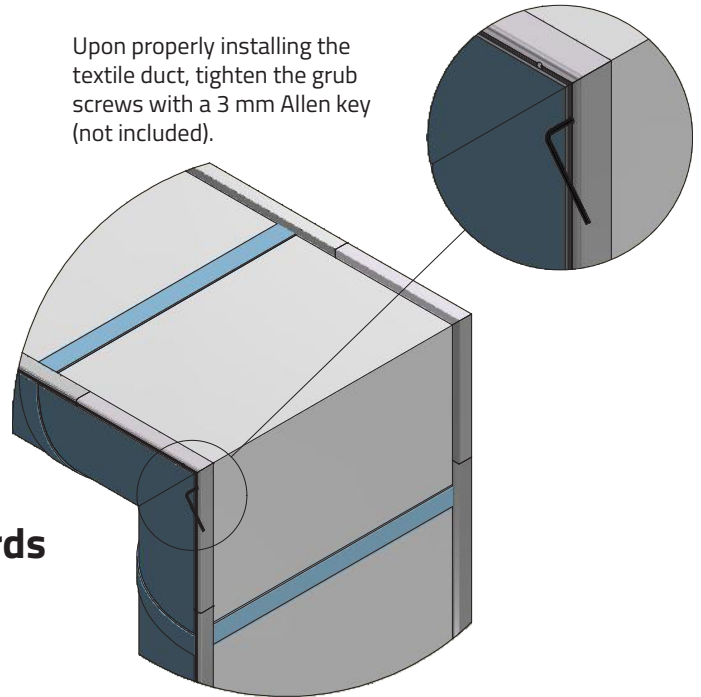
DL-0008-GB-02



**Elbow
Right/Left**



**Elbow
Downwards**



**Elbow
Upwards**

