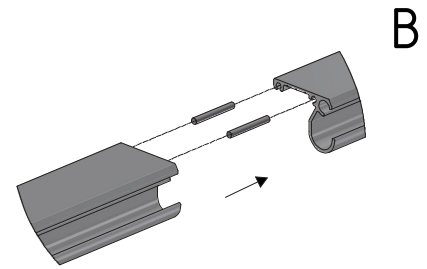
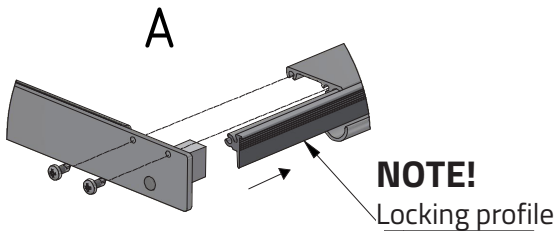
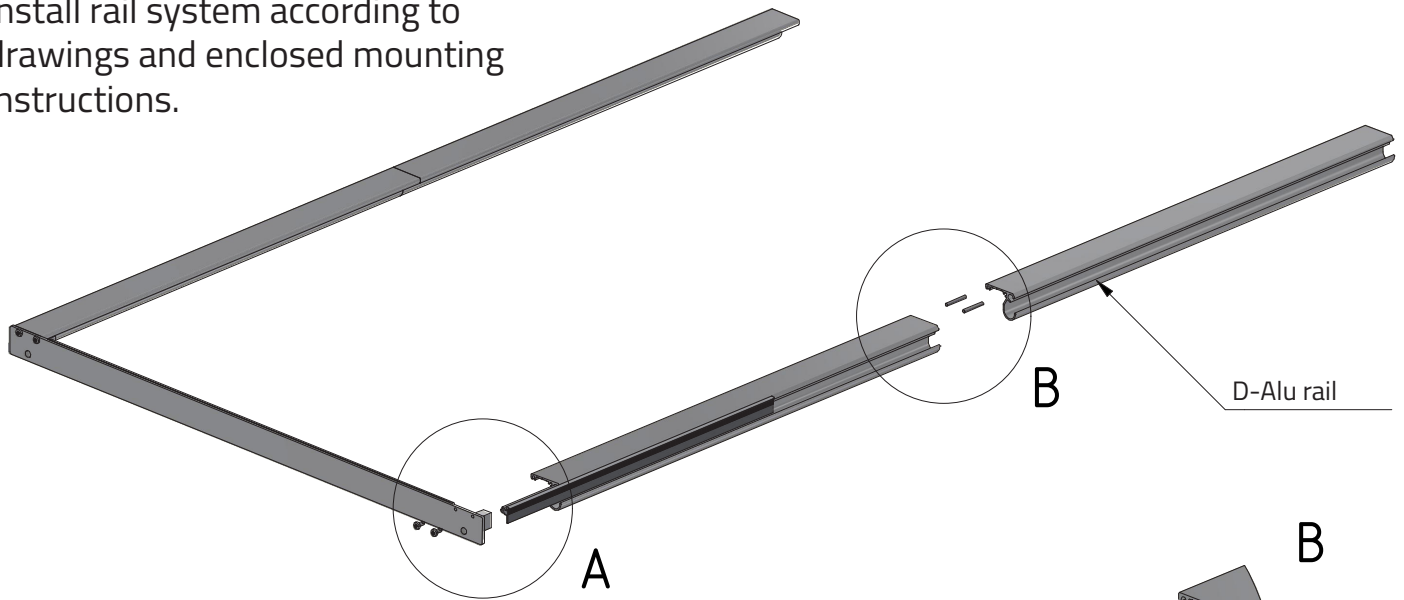


D-Alu Suspension for KE-Interior System

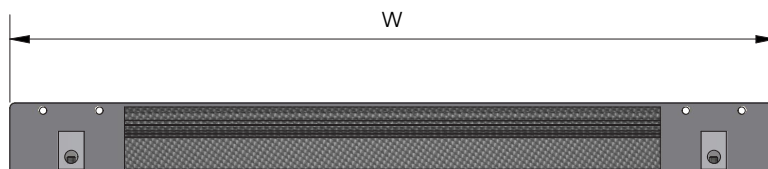
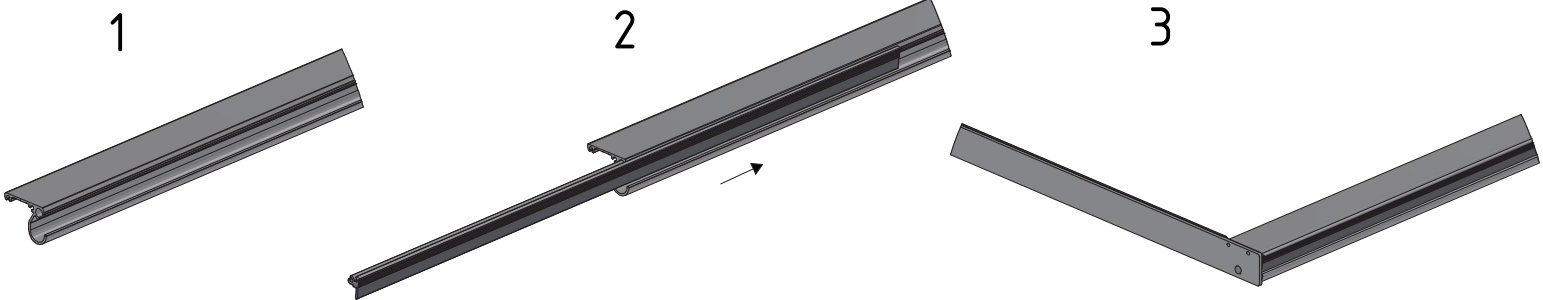
DA-0003-GB-04

D-Alu Rail System

Install rail system according to drawings and enclosed mounting instructions.

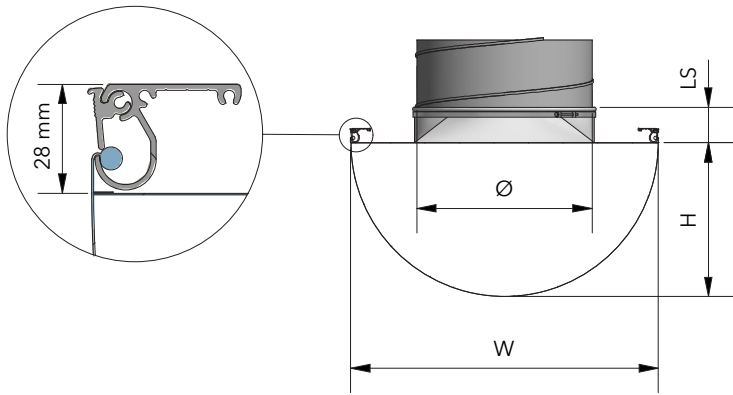


Refer to the delivery note for suspension types and lengths

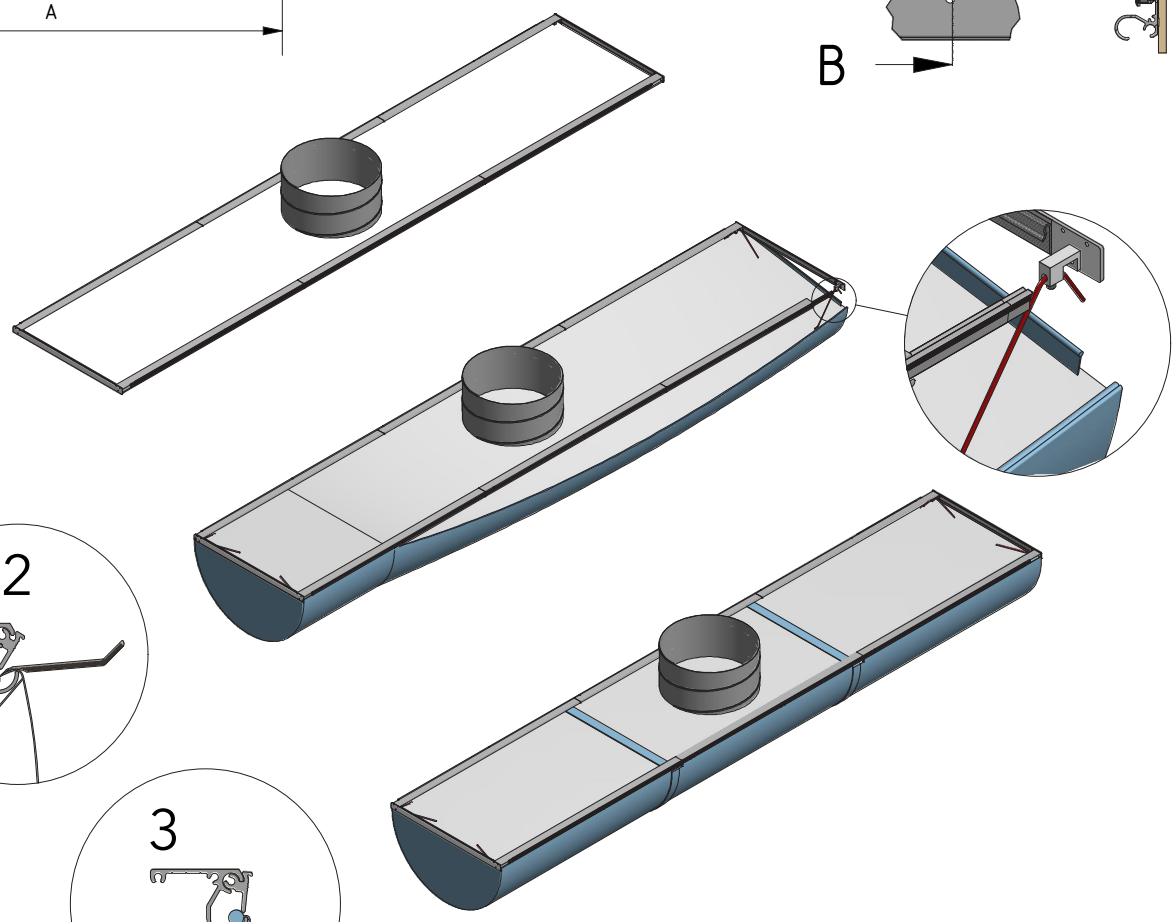
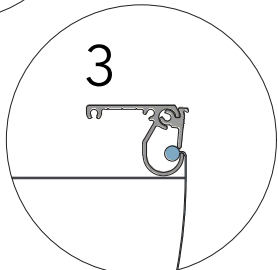
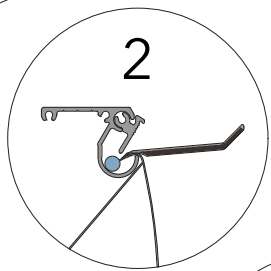
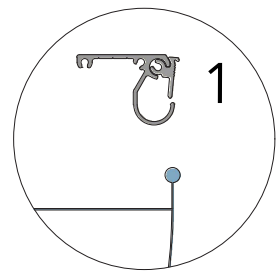
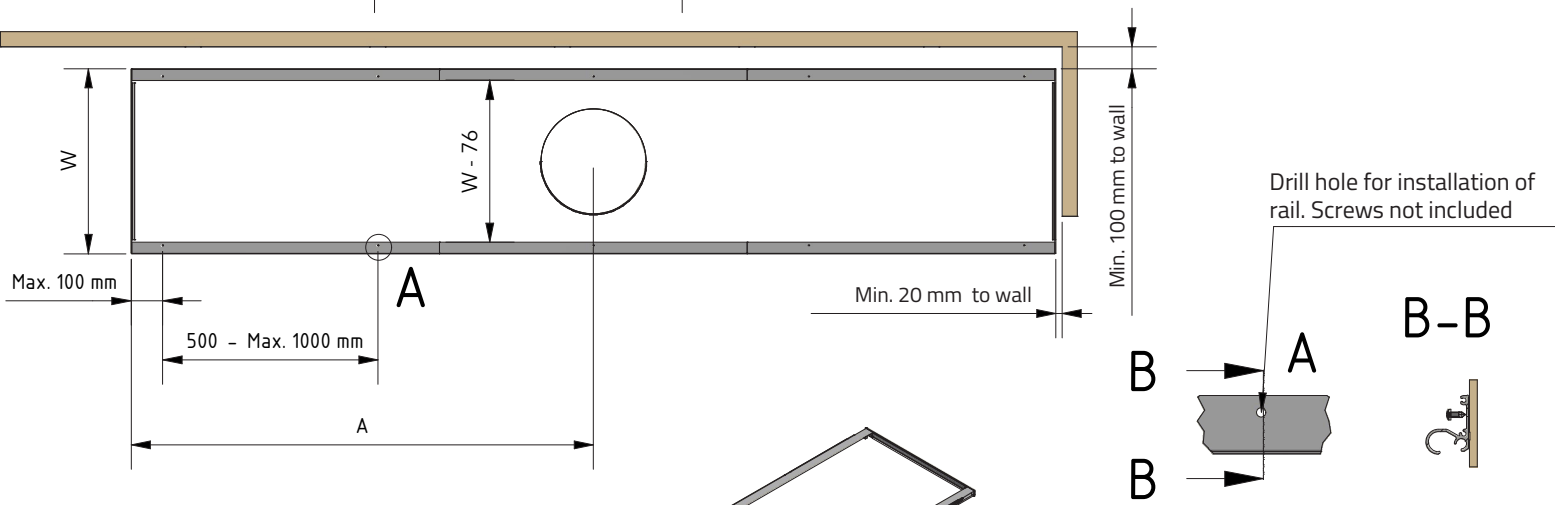


D-Alu for KE-Interior System (Straight Duct)

DA-0004-GB-05

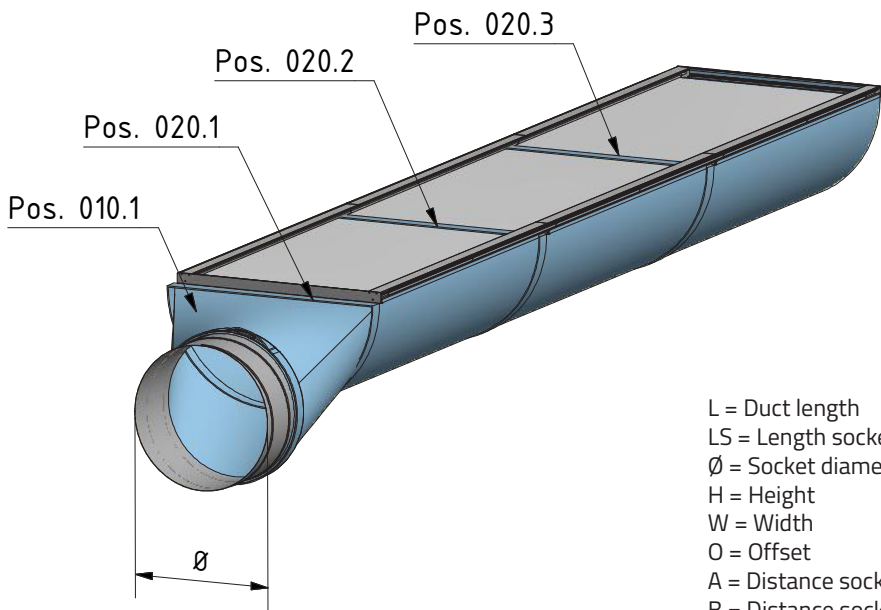


- L = Duct length
- LS = Length socket
- Ø = Socket diameter
- H = Height
- W = Width
- O = Offset
- A = Distance socket 1
- B = Distance socket 2

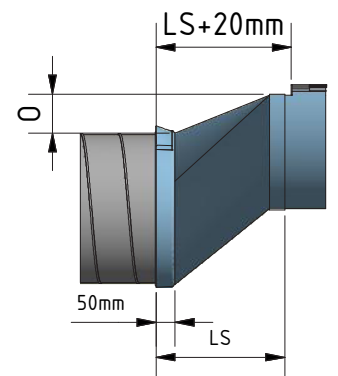
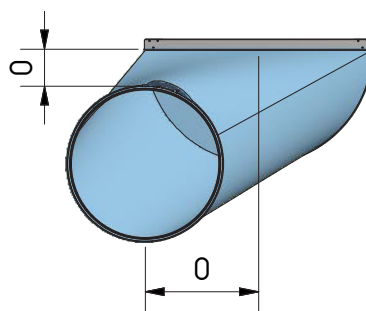
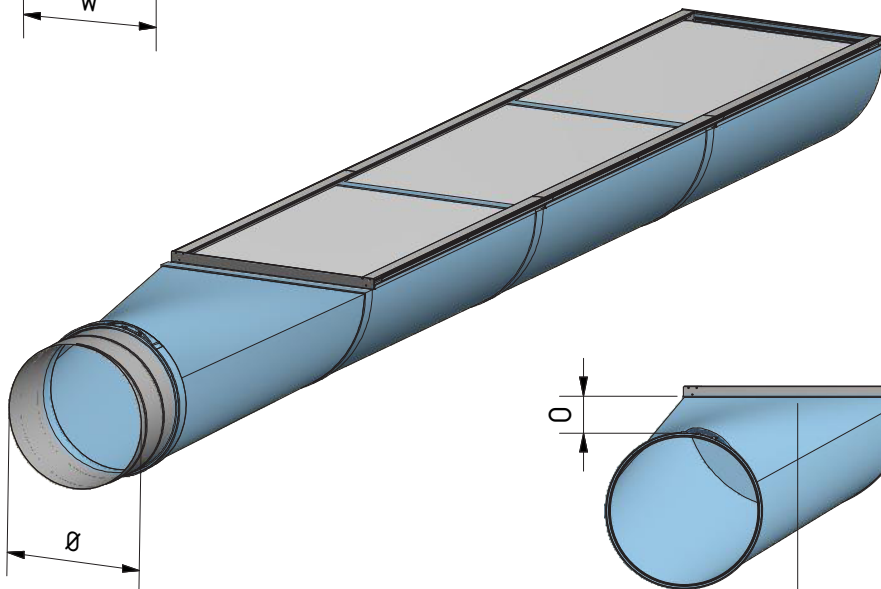
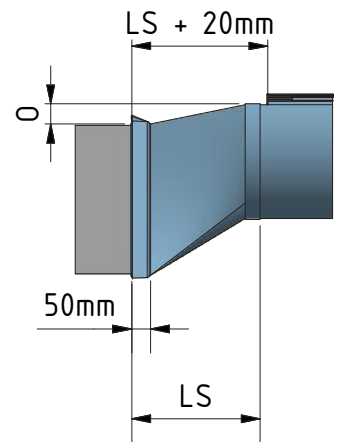
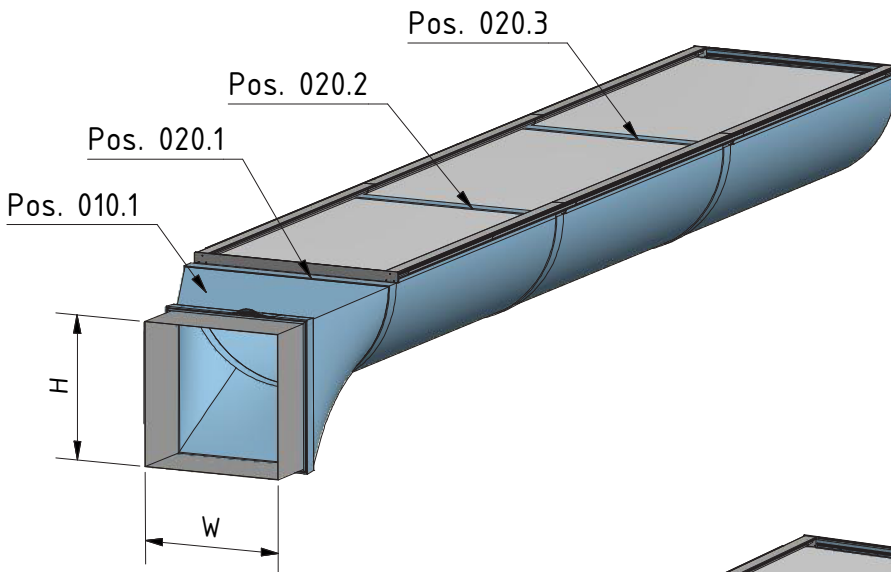
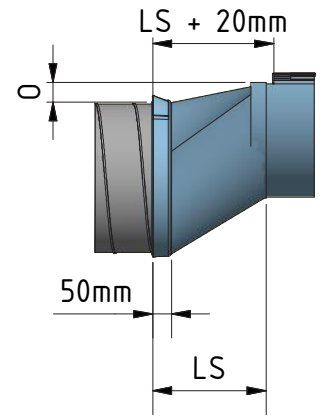


D-Alu for KE-Interior System (Inlet Options)

DA-0005-GB-02

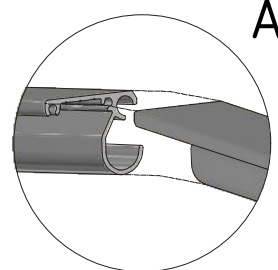
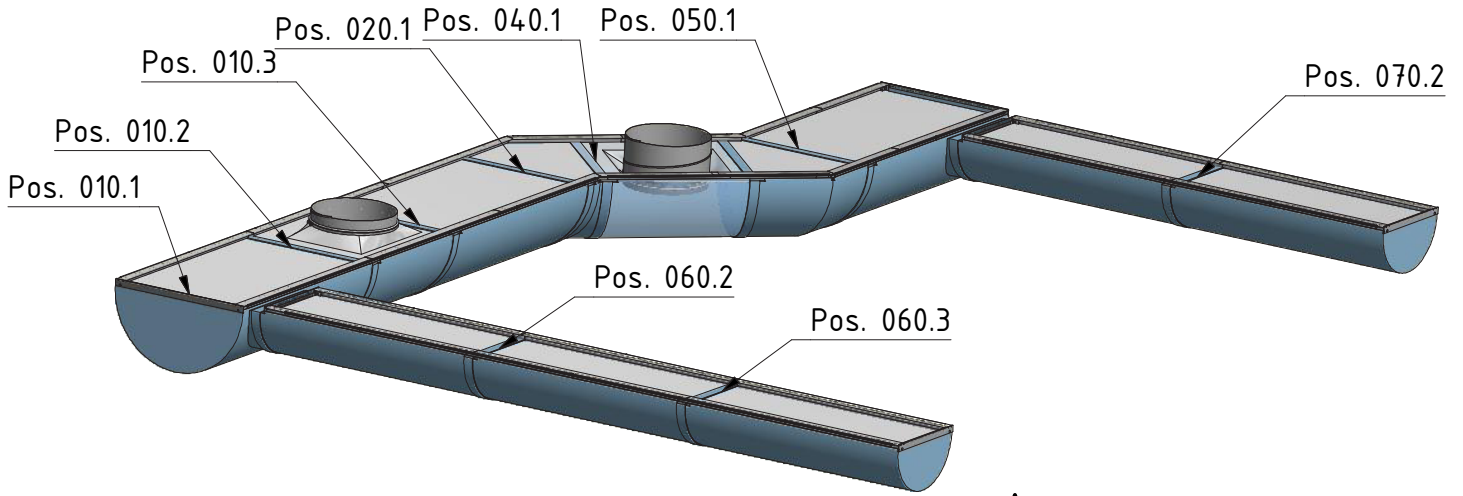


L = Duct length
 LS = Length socket
 Ø = Socket diameter
 H = Height
 W = Width
 O = Offset
 A = Distance socket 1
 B = Distance socket 2

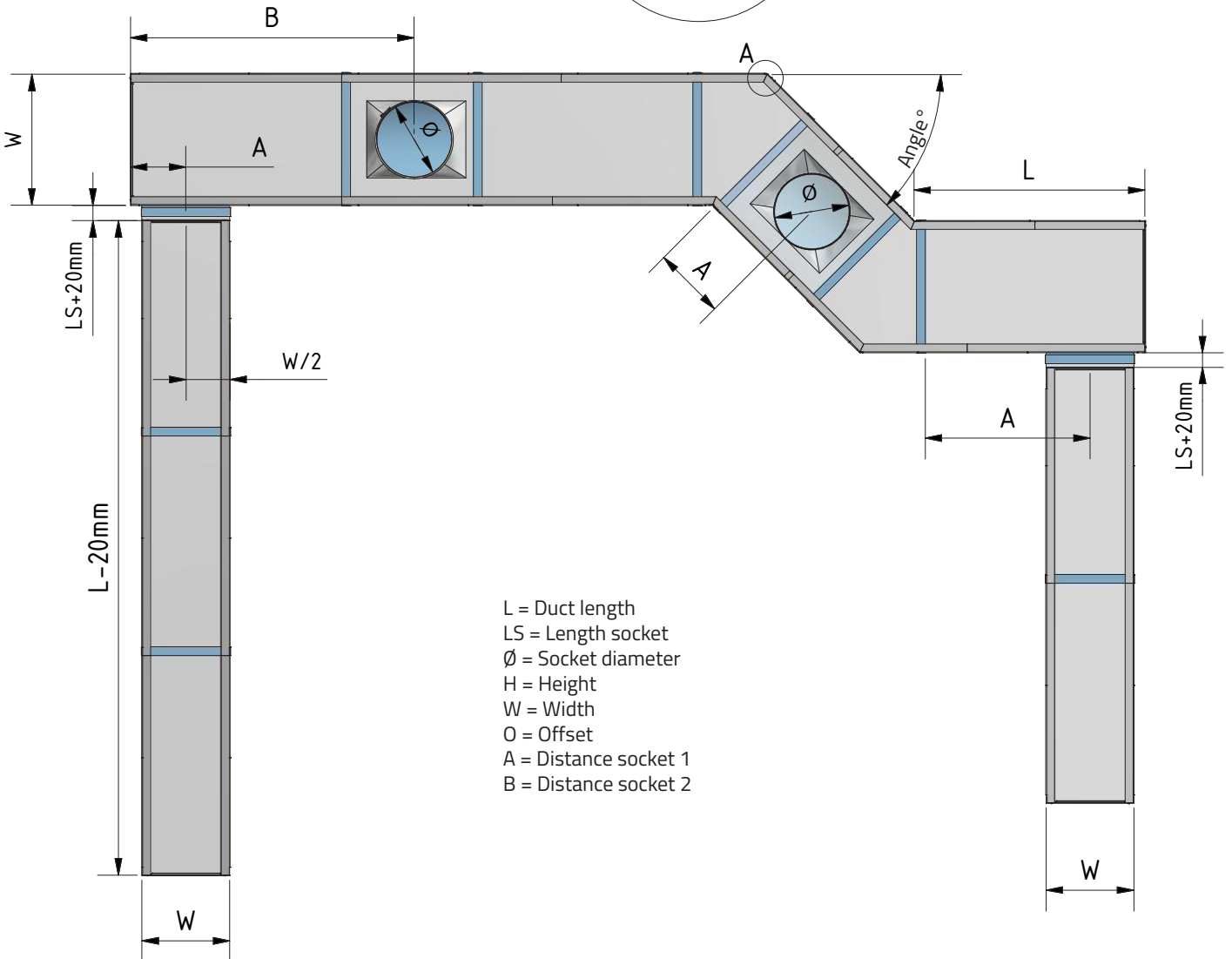


D-Alu Suspension for KE-Interior System (Plenum)

DA-0006-GB-02



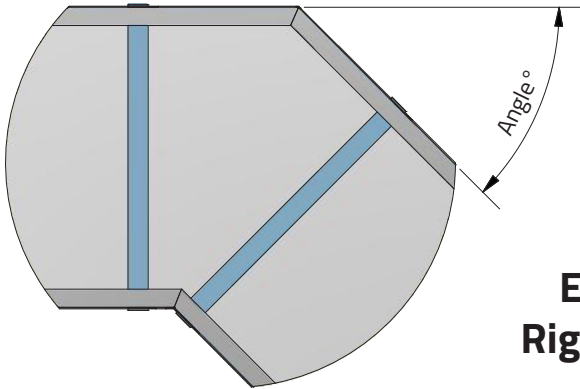
No joining pins for elbows. The rail section immediately before and after the elbow must be fastened to the ceiling with min. 2 screws.



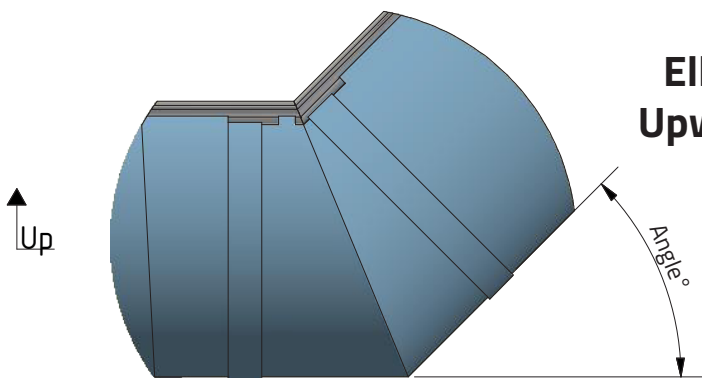
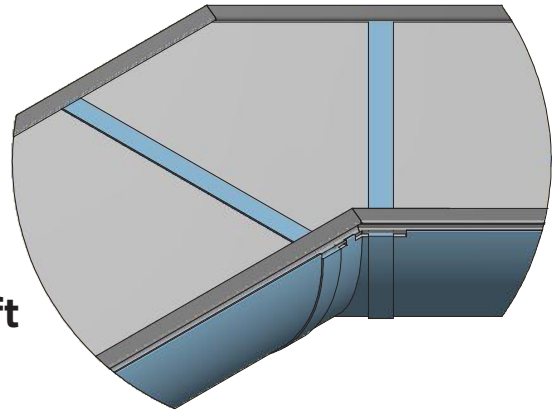
D-Alu Suspension for KE-Interior System (Elbow)

DA-0007-GB-02

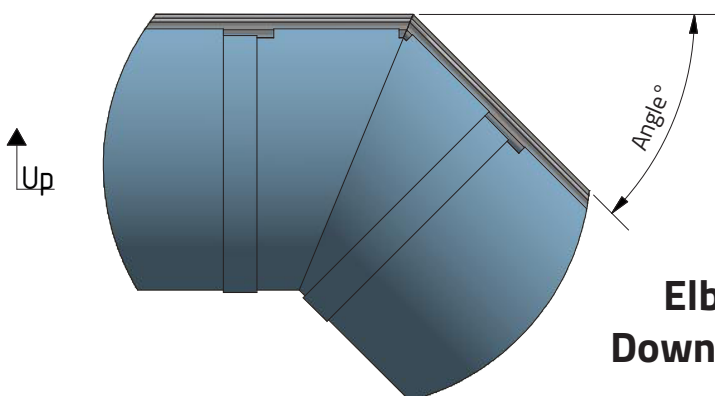
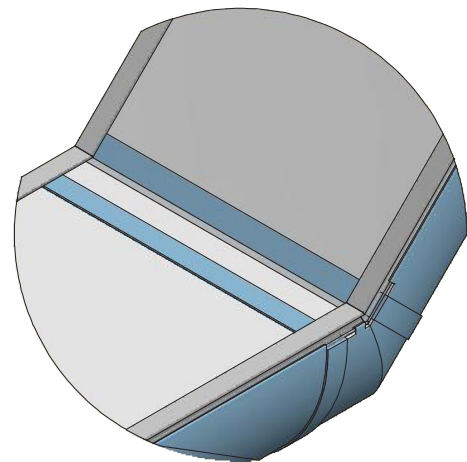
See delivery note for specific angle



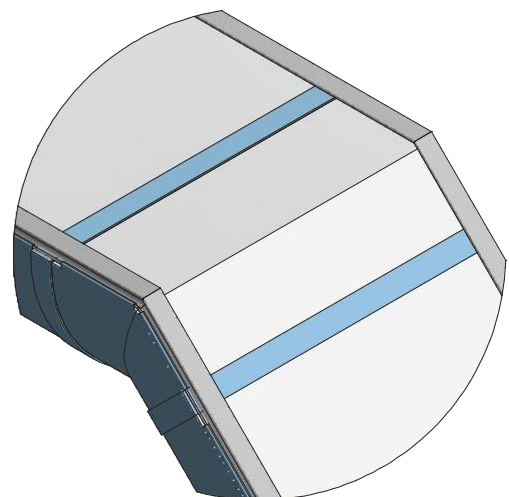
**Elbow
Right/Left**



**Elbow
Upwards**

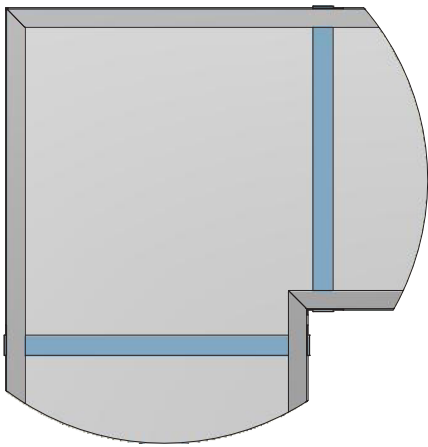


**Elbow
Downwards**

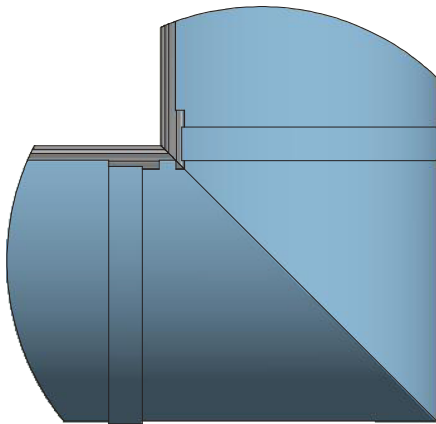
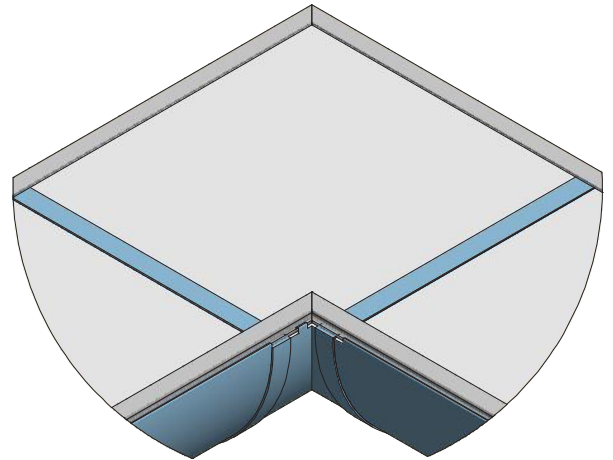


D-Alu Suspension for KE-Interior System (Elbow 90°)

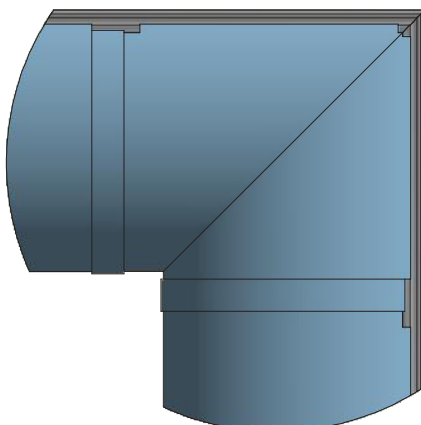
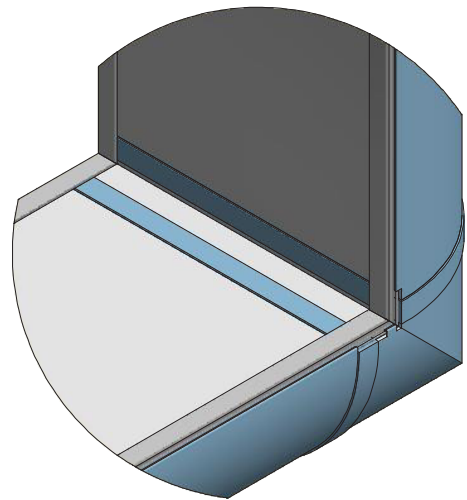
DA-0008-GB-02



**Elbow
Right/Left**



**Elbow
Downwards**



**Elbow
Upwards**

