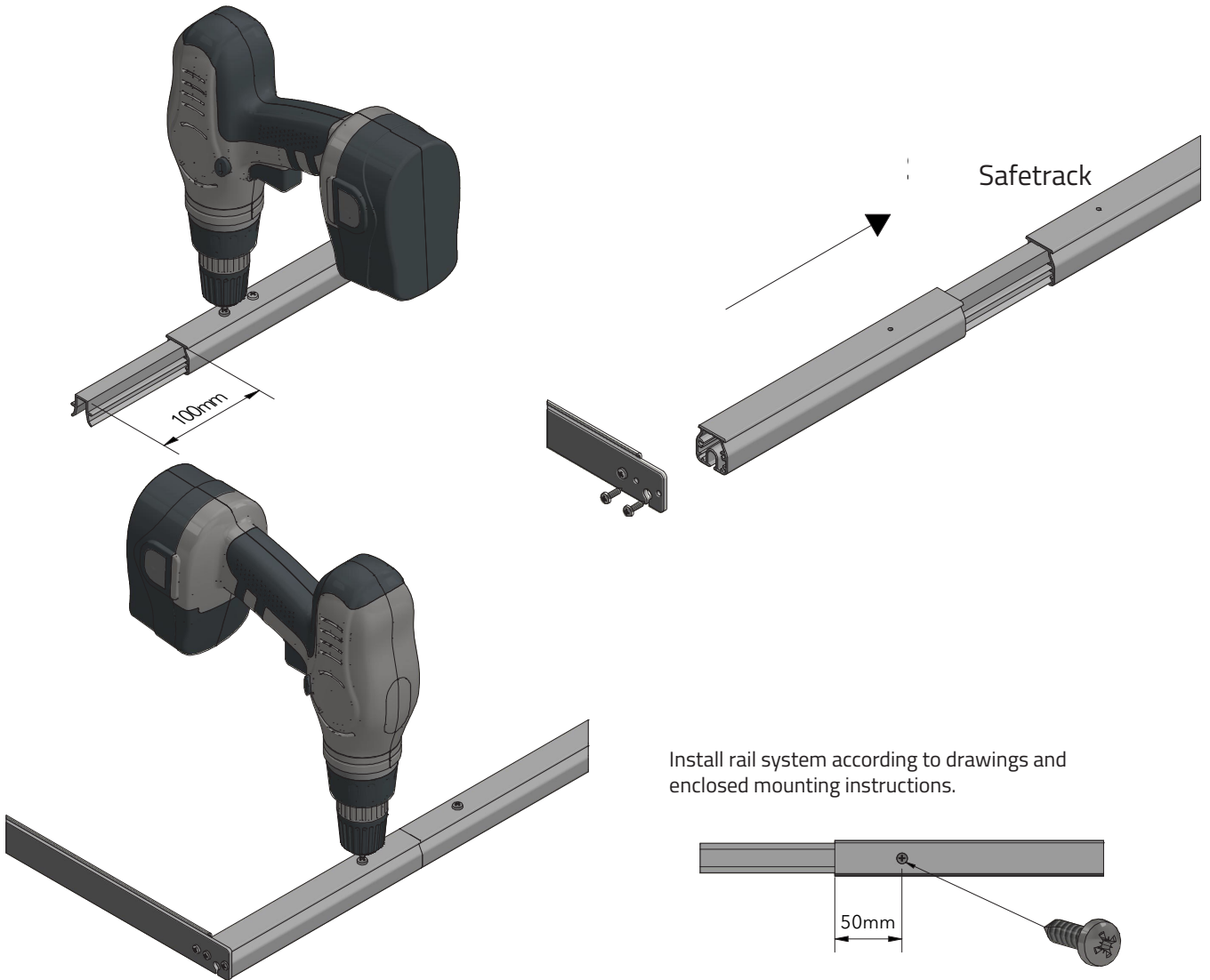


D-Safetrack Suspension for KE-Interior System

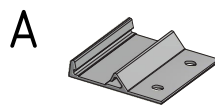
DS-0003-GB-04



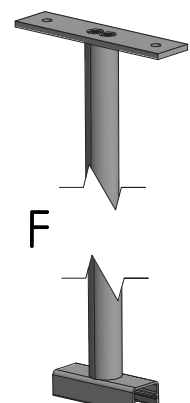
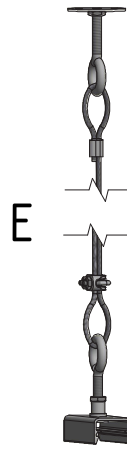
Install rail system according to drawings and enclosed mounting instructions.

Suspension type

Refer to the delivery note for chosen suspension type.



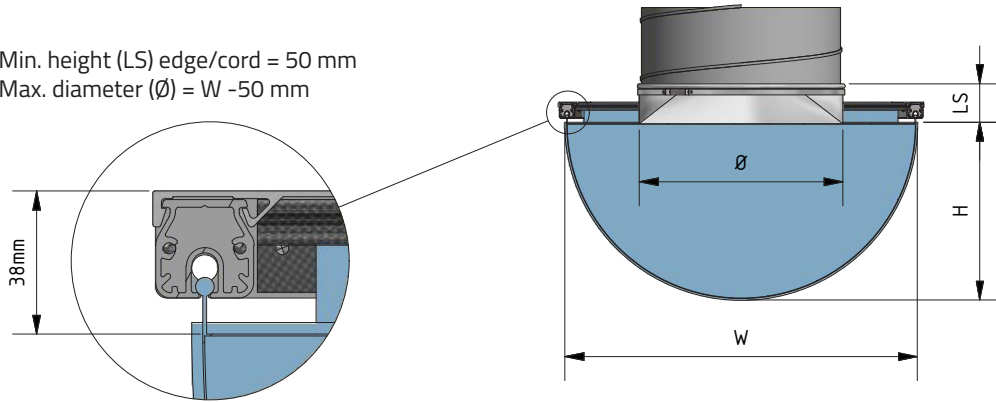
- A. SafeCeil
- B. Wood screw
- C. Expansion bolt
- D. M6 thread flange
- E. Wire with M6 eyebolt
- F. SafeStrapUp



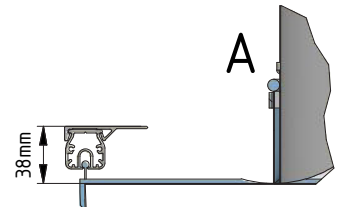
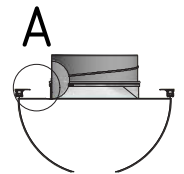
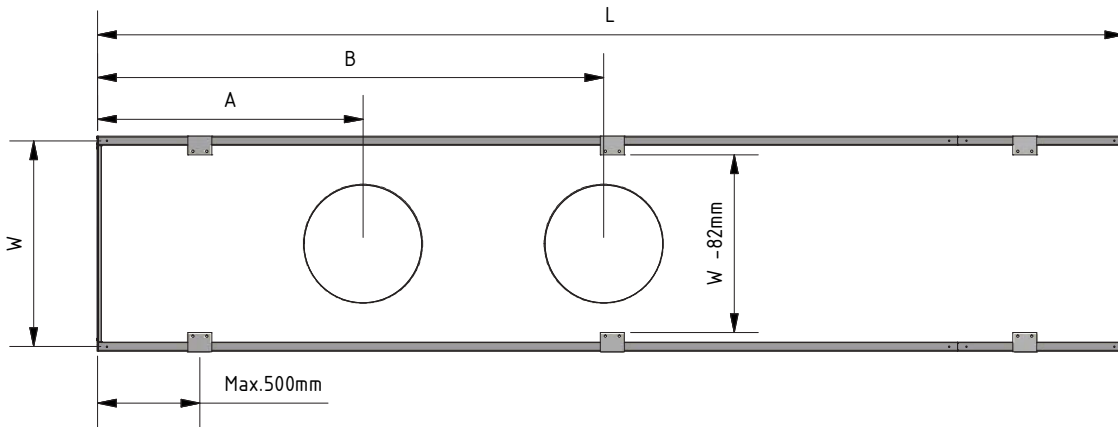
D-Safetrack for KE-Interior System (Straight Duct)

DS-0004-GB-02

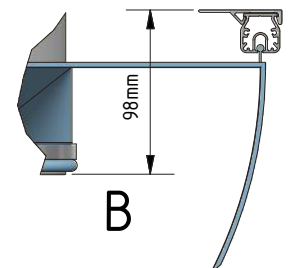
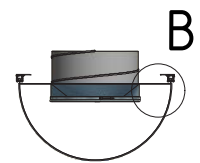
Min. height (LS) edge/cord = 50 mm
 Max. diameter (Ø) = W - 50 mm



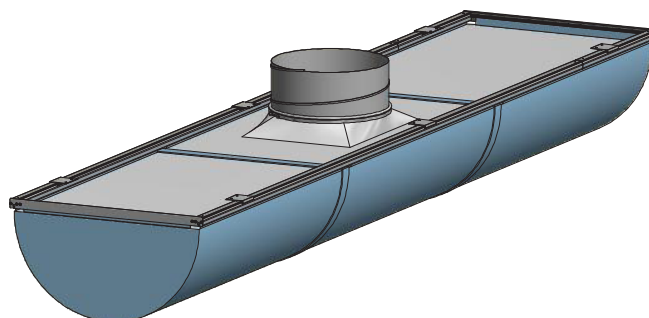
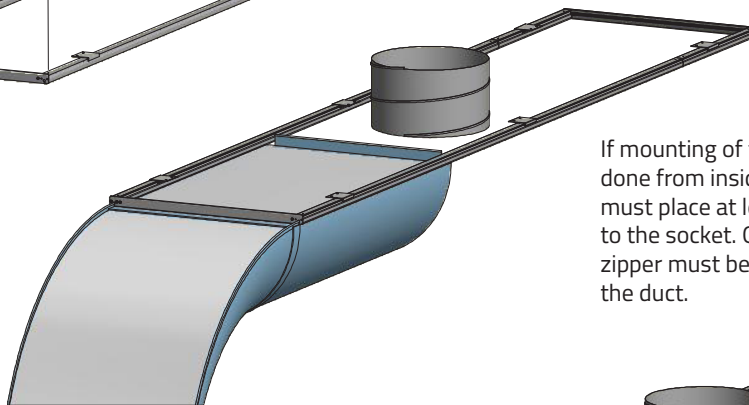
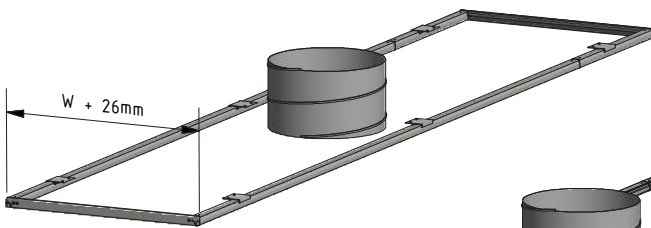
L = Duct length
 LS = Length socket
 Ø = Socket diameter
 H = Height
 W = Width
 O = Offset
 A = Distance socket 1
 B = Distance socket 2



If it is possible to mount the socket above a false ceiling, a zipper near the socket on the duct is not necessary.

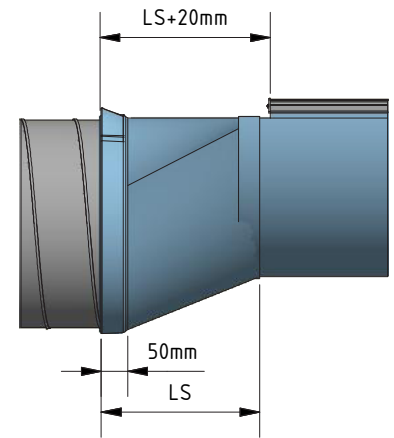
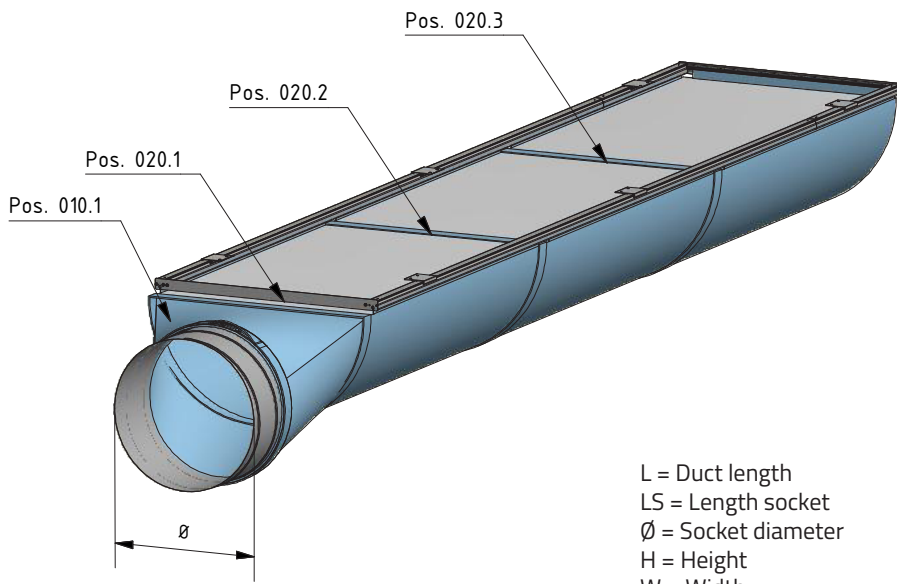


If mounting of the socket must be done from inside the space you must place at least 1 zipper close to the socket. Otherwise a service zipper must be placed in the arc of the duct.

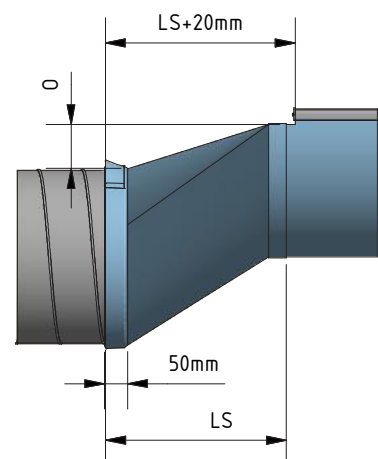
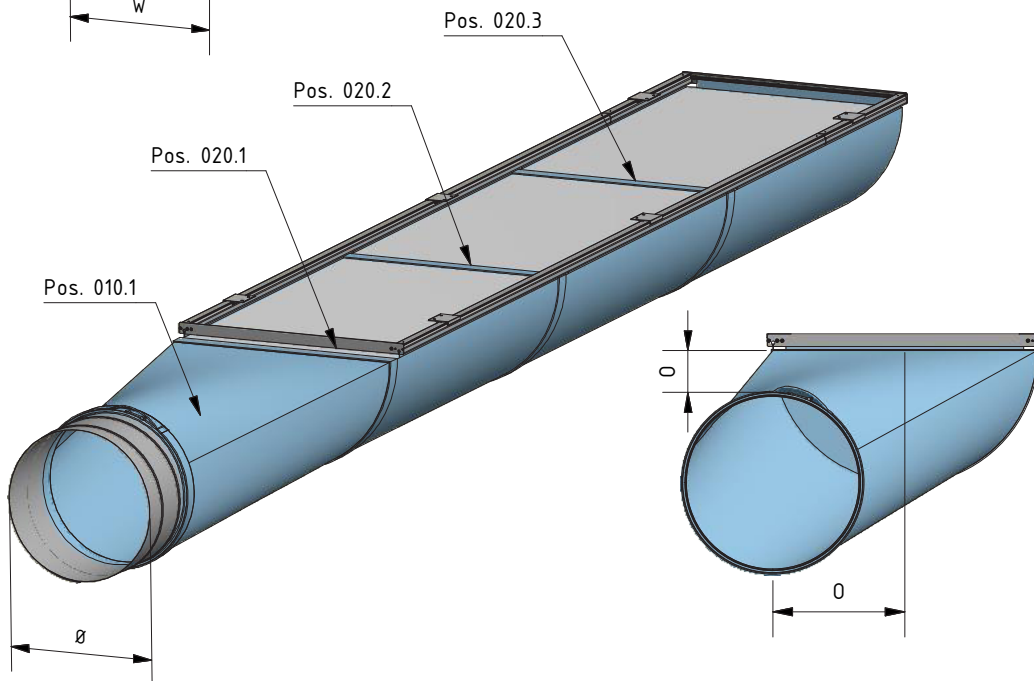
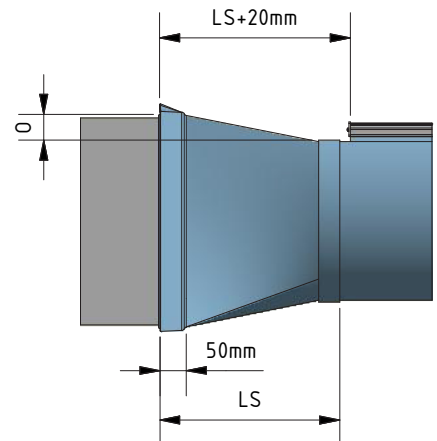
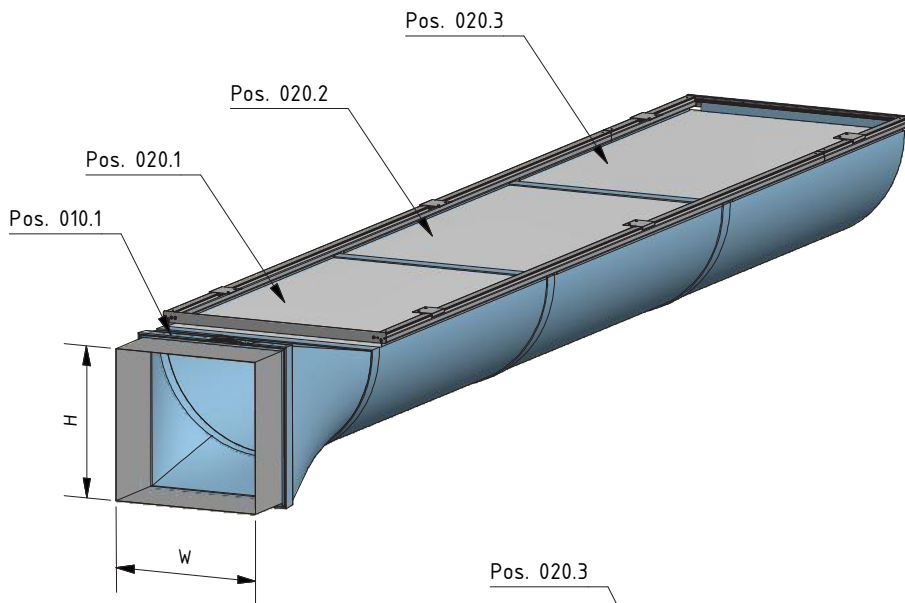


D-Safetrack for KE-Interior System (Inlet Options)

DS-0005-GB-02

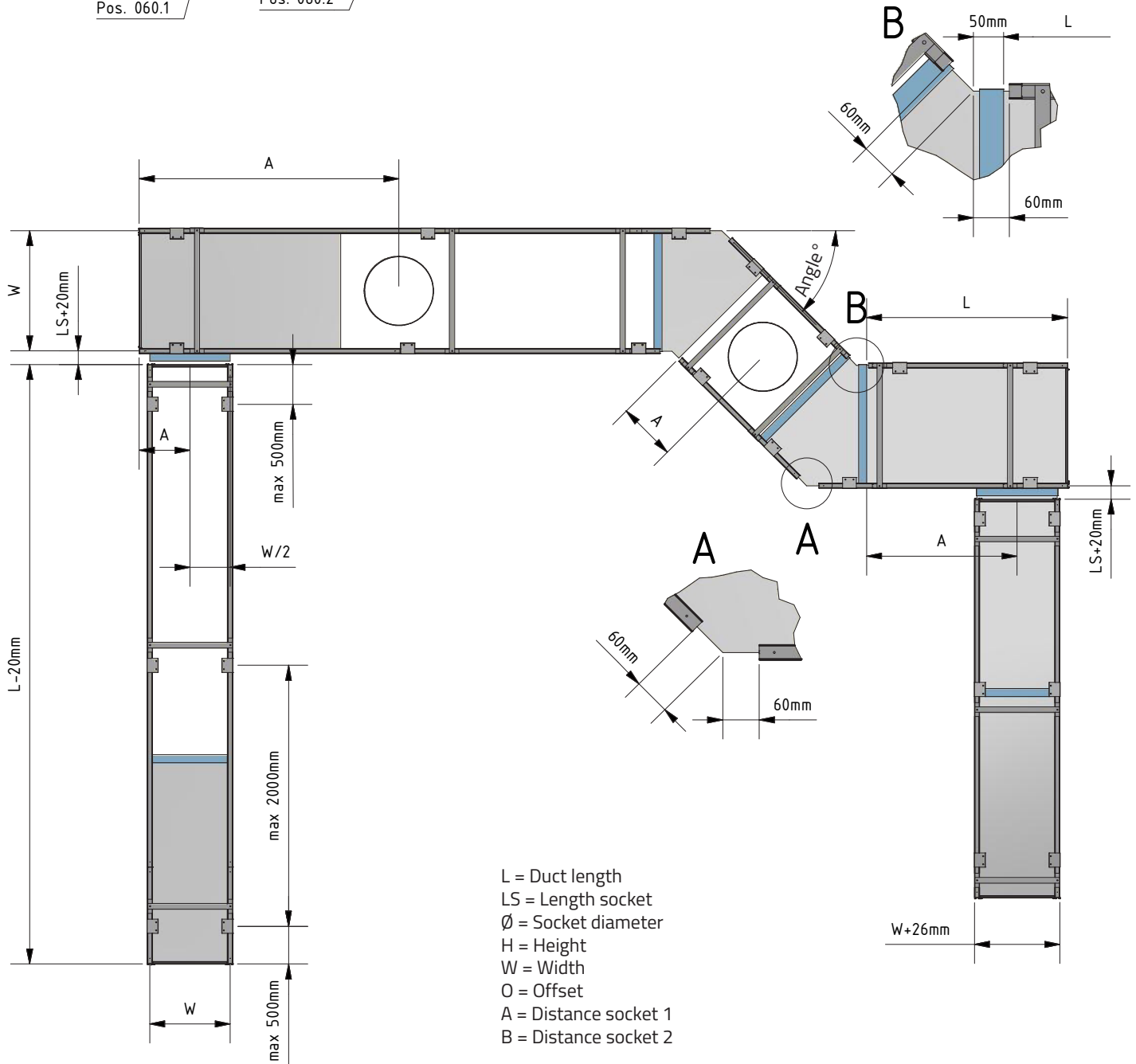
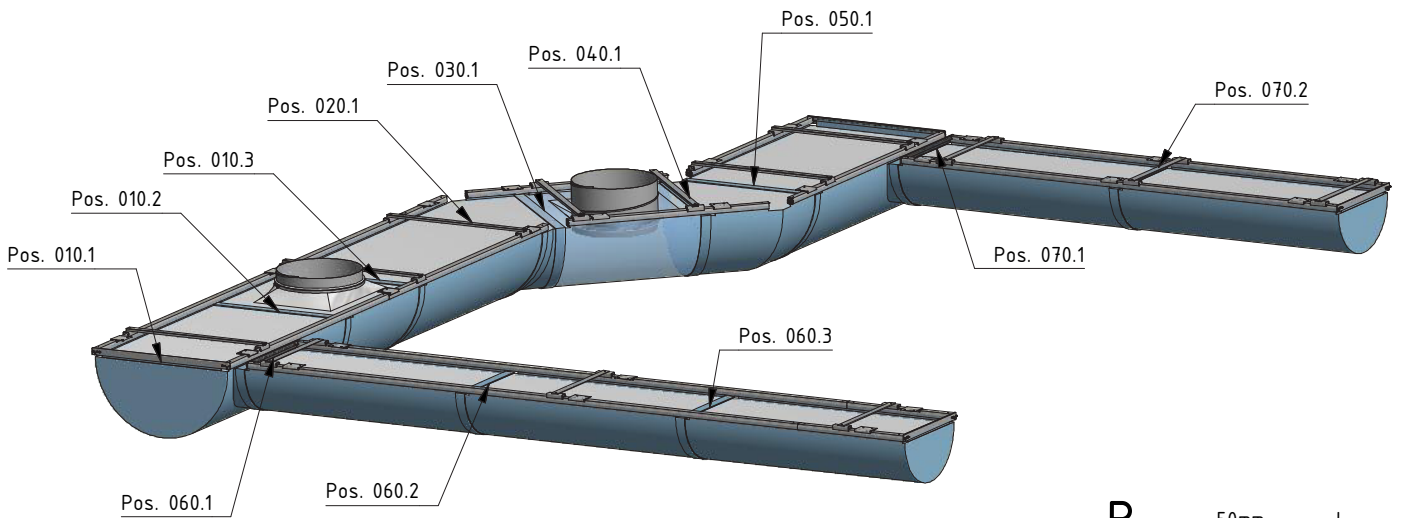


L = Duct length
 LS = Length socket
 Ø = Socket diameter
 H = Height
 W = Width
 O = Offset
 A = Distance socket 1
 B = Distance socket 2



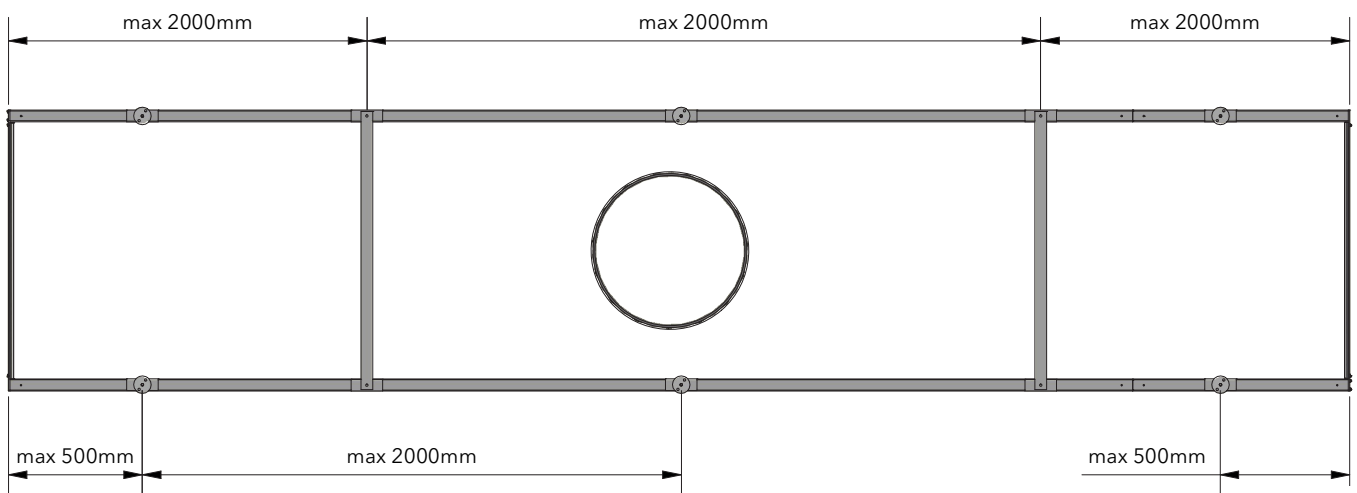
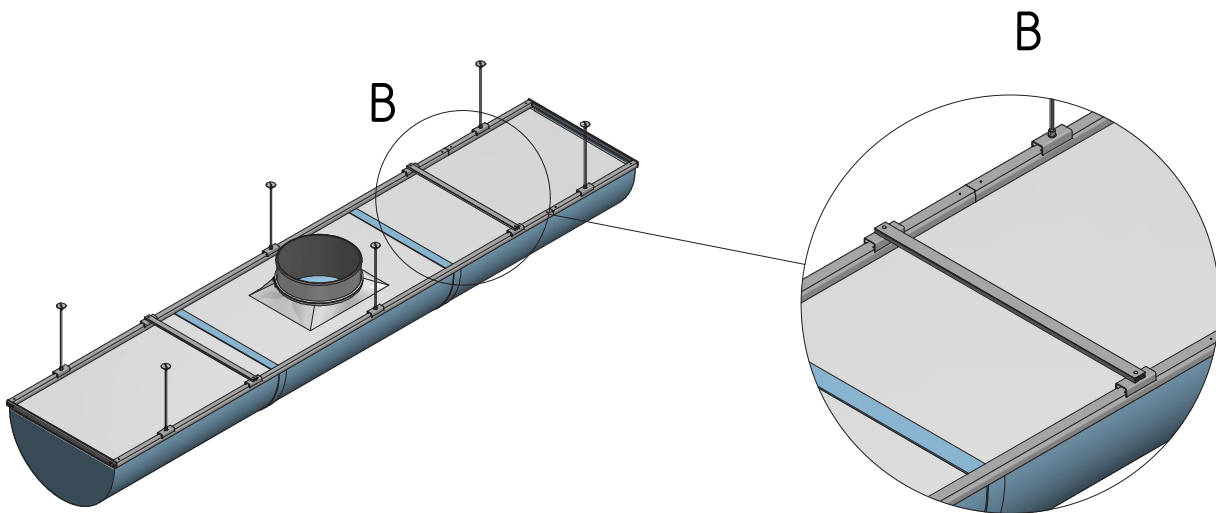
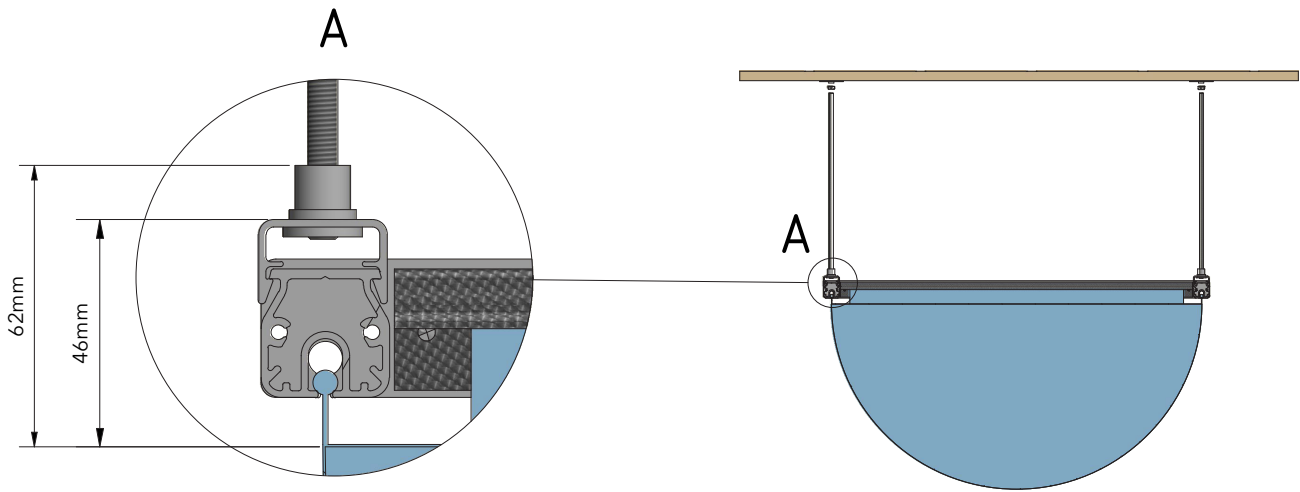
D-Safetrack for KE-Interior System (Plenum)

DS-0006-GB-02



D-Safetrack for KE-Interior System (Suspended Duct)

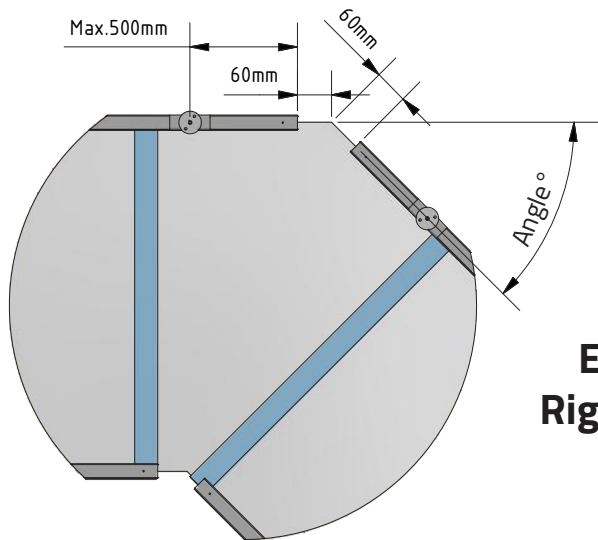
DS-0007-GB-03



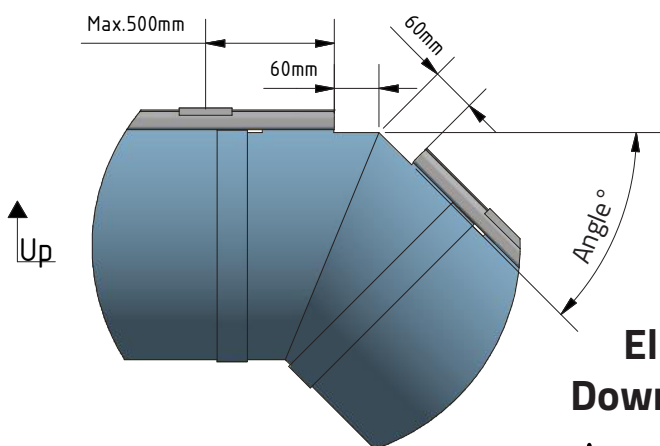
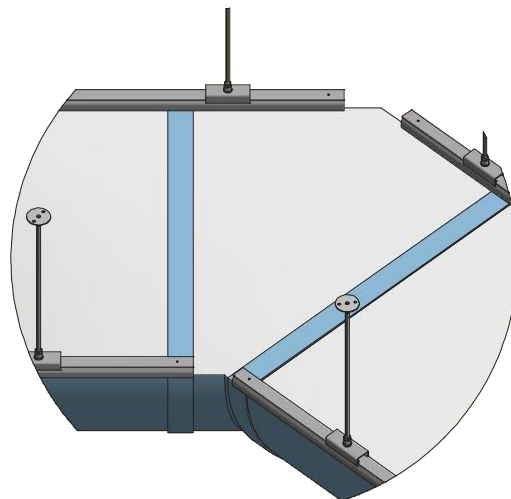
D-Safetrack for KE-Interior System (Elbow)

DS-0008-GB-02

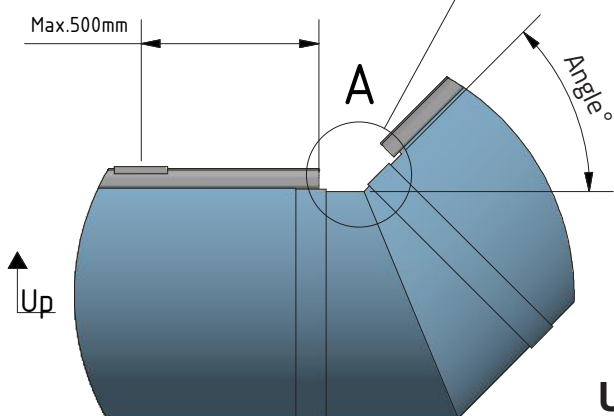
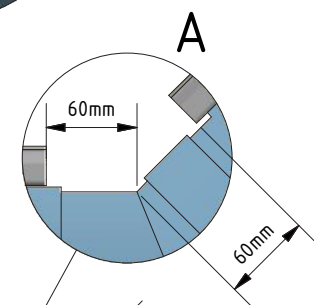
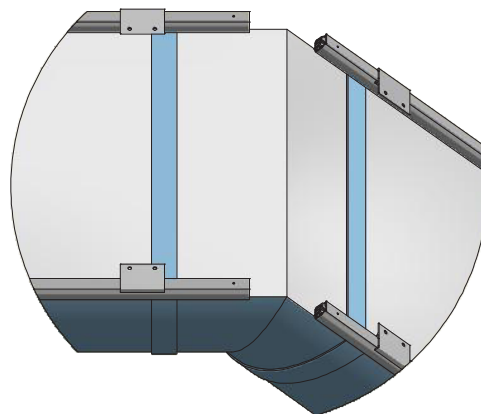
See delivery note for specific angle



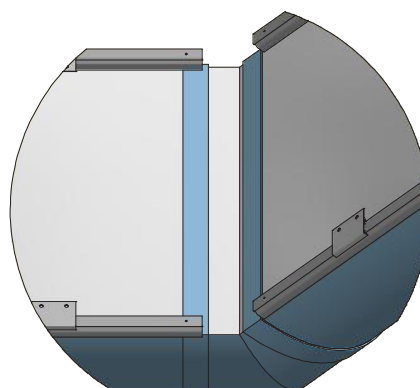
**Elbow
Right/Left**



**Elbow
Downwards**

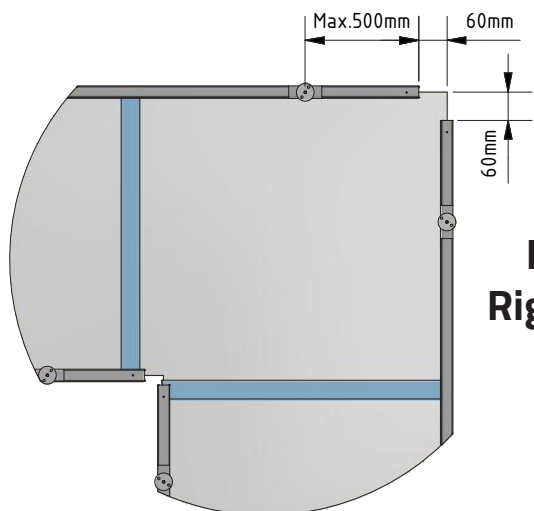


**Elbow
Upwards**

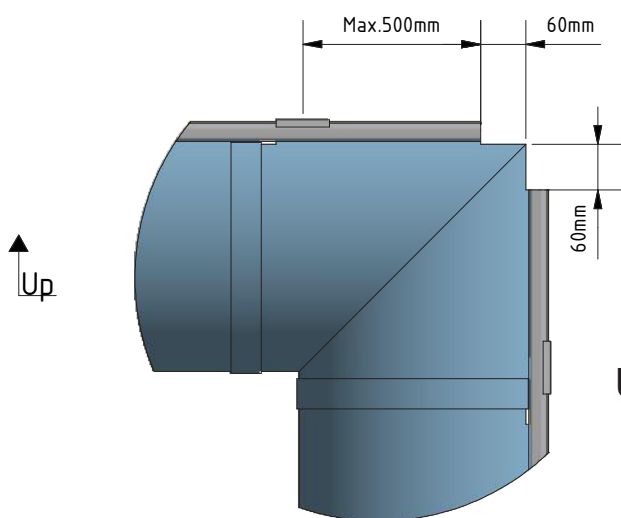
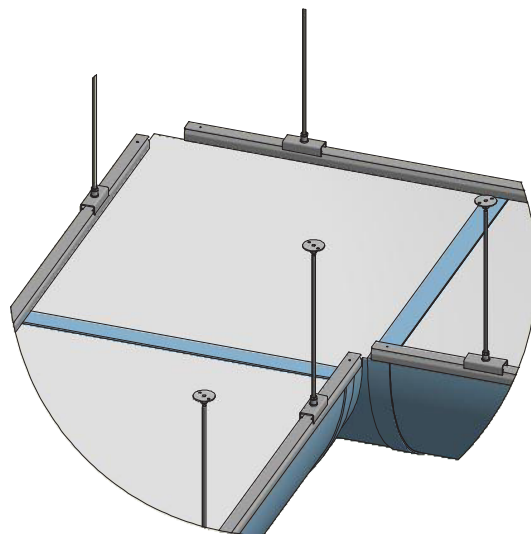


D-Safetrack for KE-Interior System (Elbow 90°)

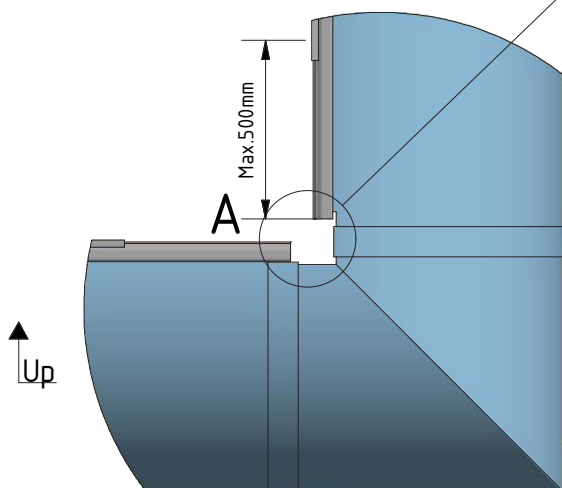
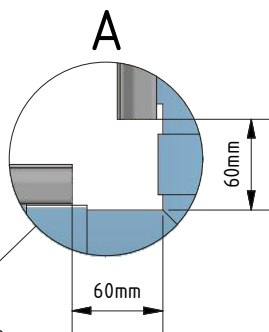
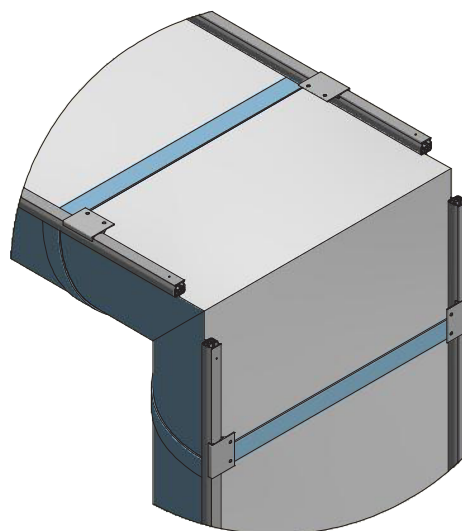
DS-0009-GB-02



**Elbow
Right/Left**



**Elbow
Upwards**



**Elbow
Downwards**

